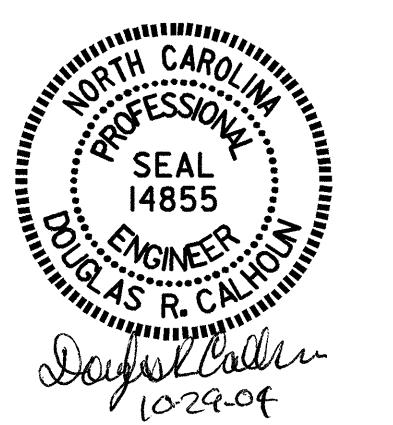
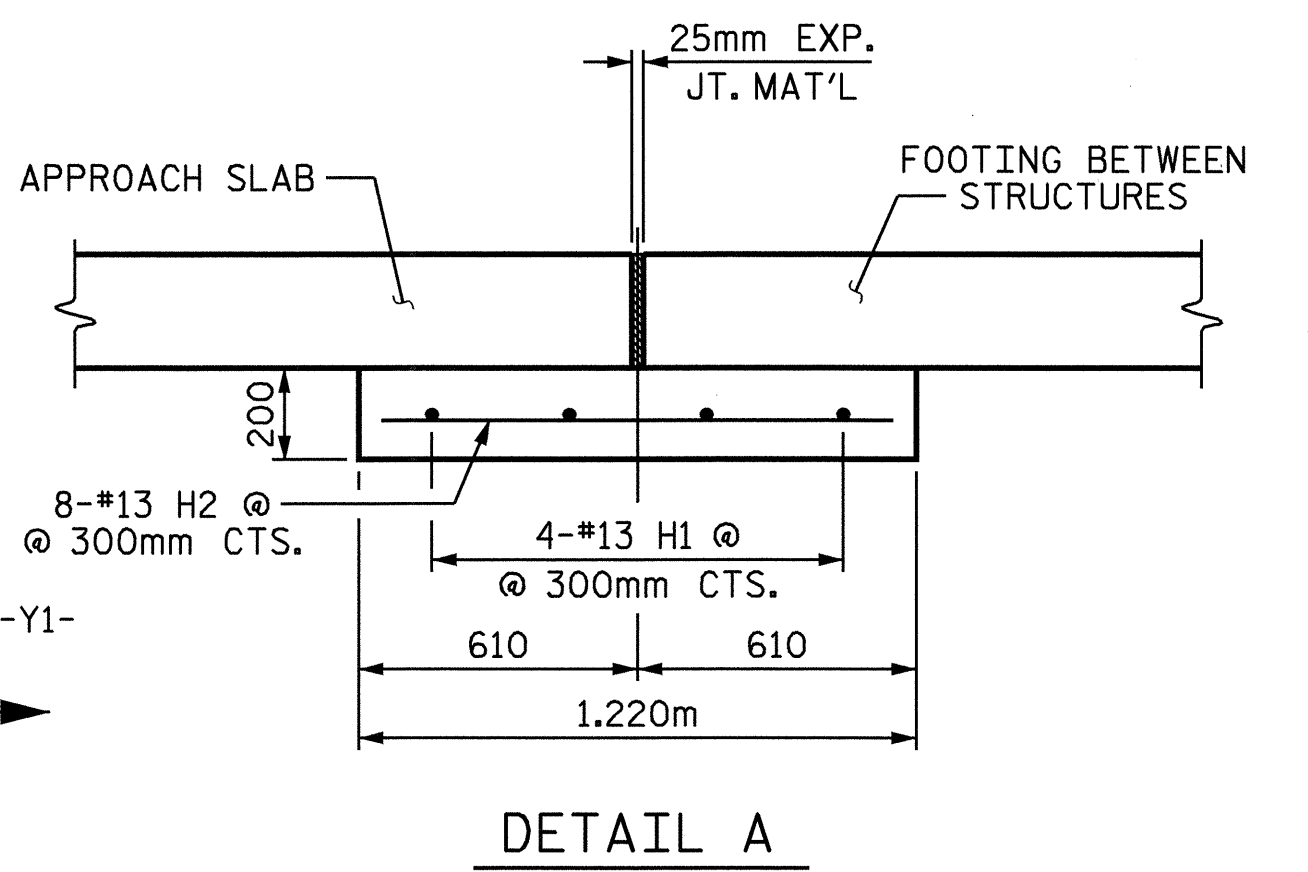


NOTES

FOR CLASSIC CONCRETE BRIDGE RAIL REINFORCING STEEL AND DETAILS, SEE "CLASSIC CONCRETE BRIDGE RAIL AND SIDEWALK" SHEETS.

FOR SIDEWALK REINFORCING STEEL AND DETAILS, SEE "CLASSIC CONCRETE BRIDGE RAIL AND SIDEWALK" SHEETS.

FOR CLASSIC CONCRETE RAIL, SIDEWALK AND FOOTING BETWEEN STRUCTURES, SEE APPROACH SLAB SHEETS FOR BRIDGE AT STATION 12+21.750 -L-.



PROJECT NO. B-2583
MADISON COUNTY
 STATION: 11+03.000 -Y1-

SHEET 2 OF 4

STATE OF NORTH CAROLINA
 DEPARTMENT OF TRANSPORTATION
 RALEIGH

**BRIDGE APPROACH SLAB
 FOR FLEXIBLE PAVEMENT
 WITH CLASSIC CONCRETE
 BRIDGE RAIL**

REVISIONS						SHEET NO.	
NO.	BY:	DATE:	NO.	BY:	DATE:	S-107	
1			3			TOTALS	
2			4			112	

DRAWN BY : T. A. HARRIS DATE : 6/22/04
 CHECKED BY : W.S. ARAFAAT DATE : 7/9/04

29-OCT-2004 09:51
 W:\squad\b2583\taharris\Microstation\str2\b2583.sd.as.02.dgn
 TAHarris

STR #2