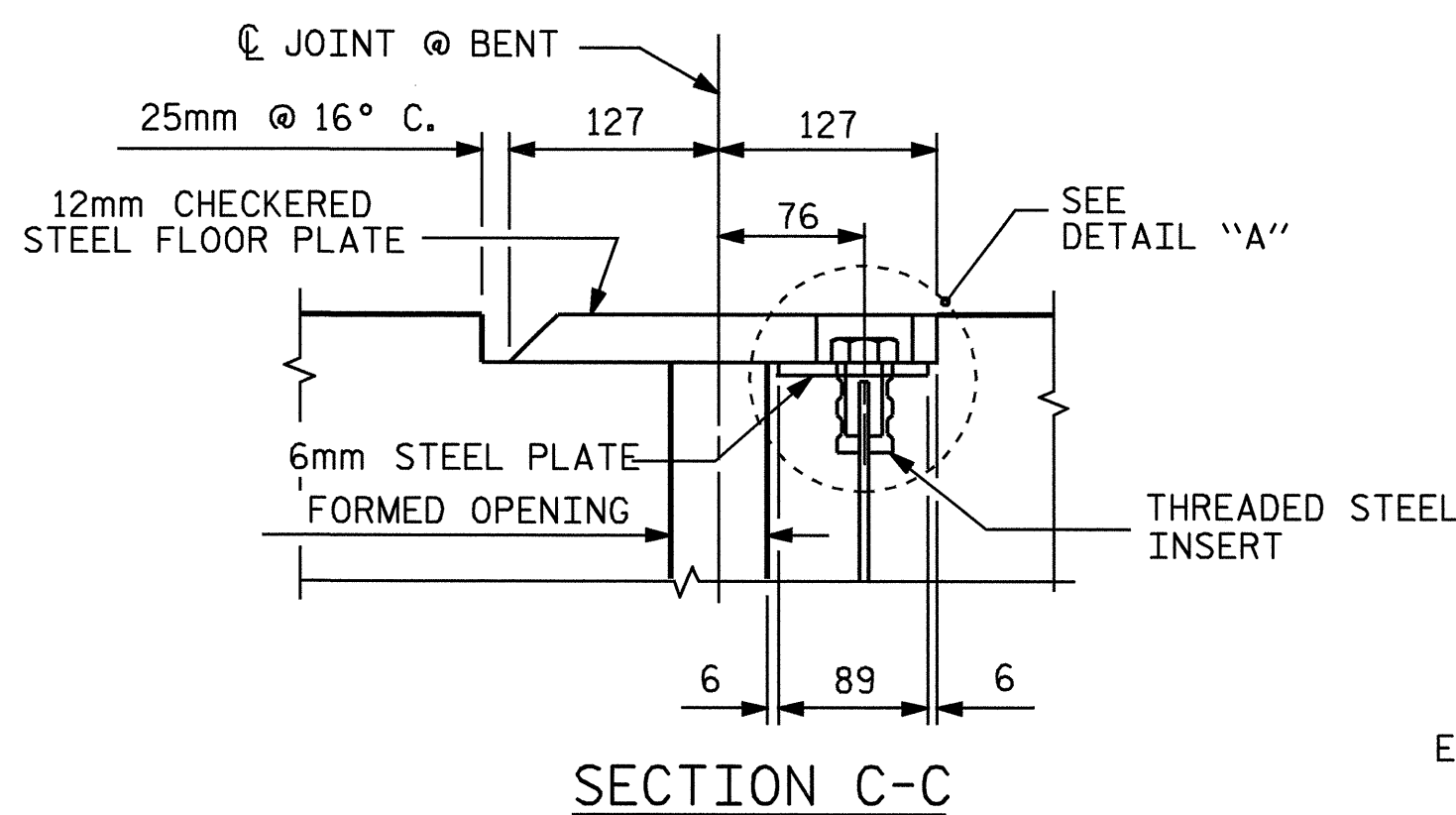
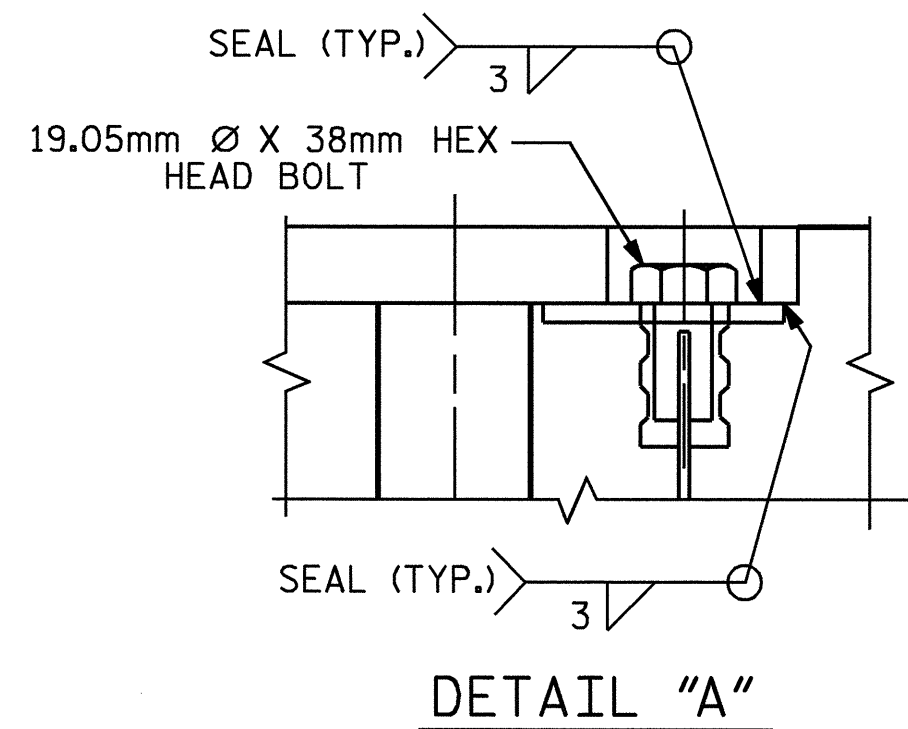


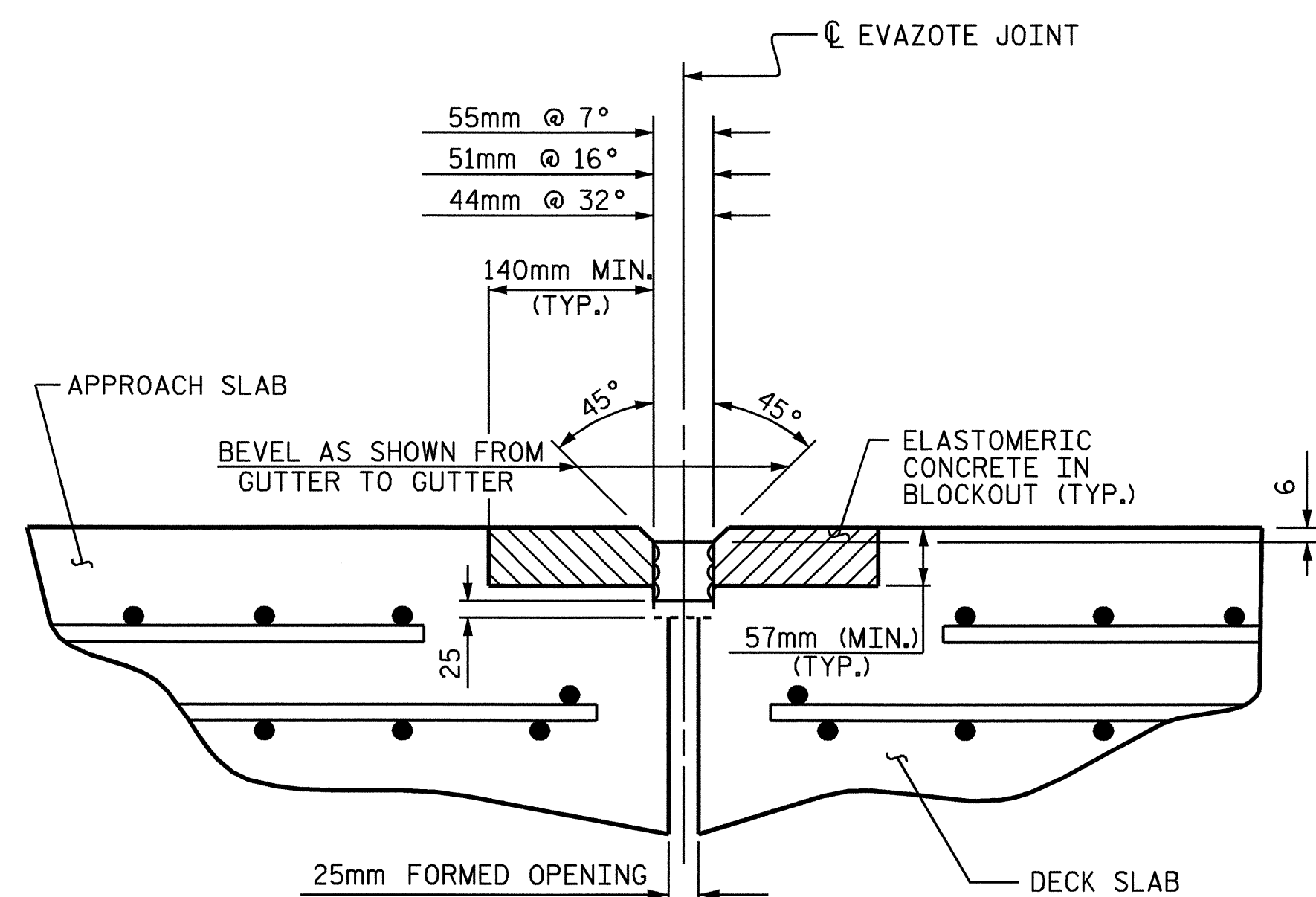
PLAN OF EVAZOTE JOINT SEAL WITH COVER PLATE



SECTION C-C



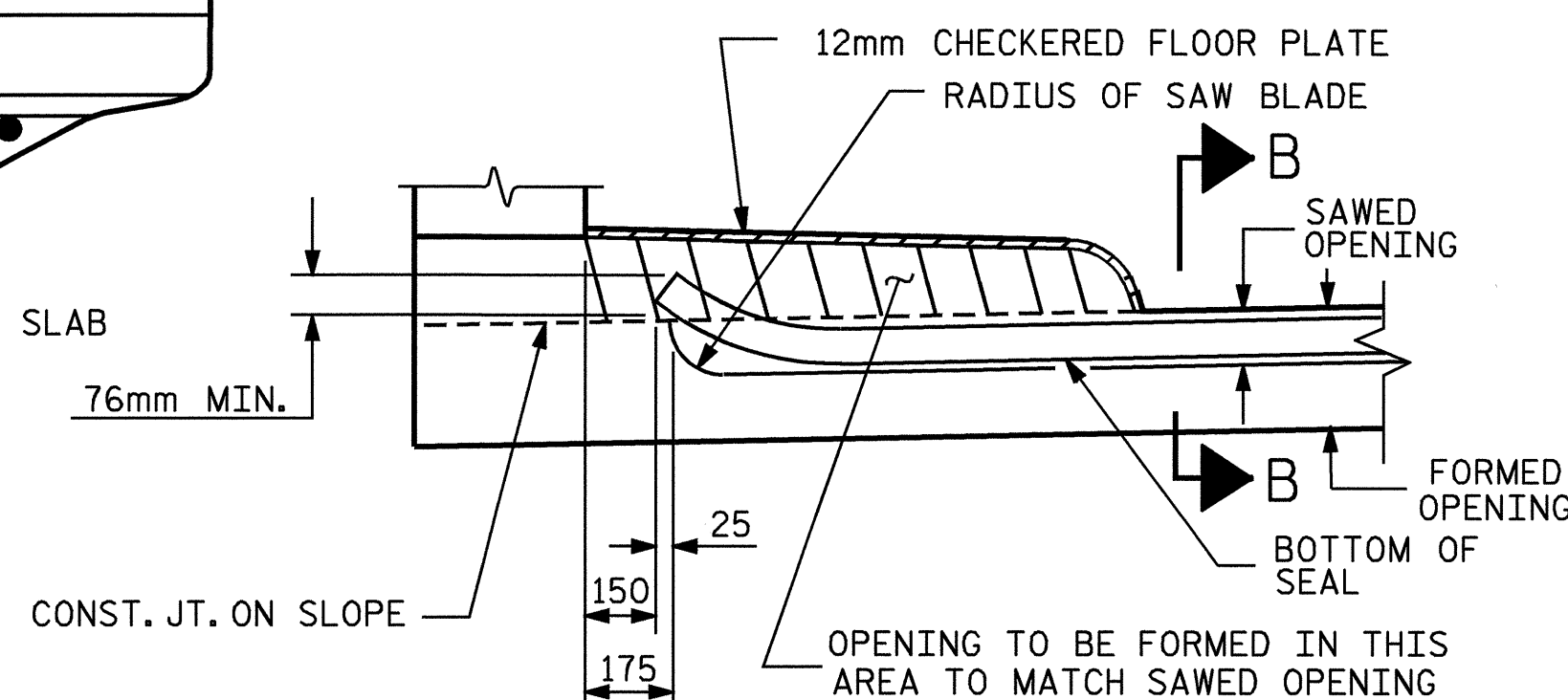
DETAIL "A"



SECTION B-B
EVAZOTE JOINT SEAL

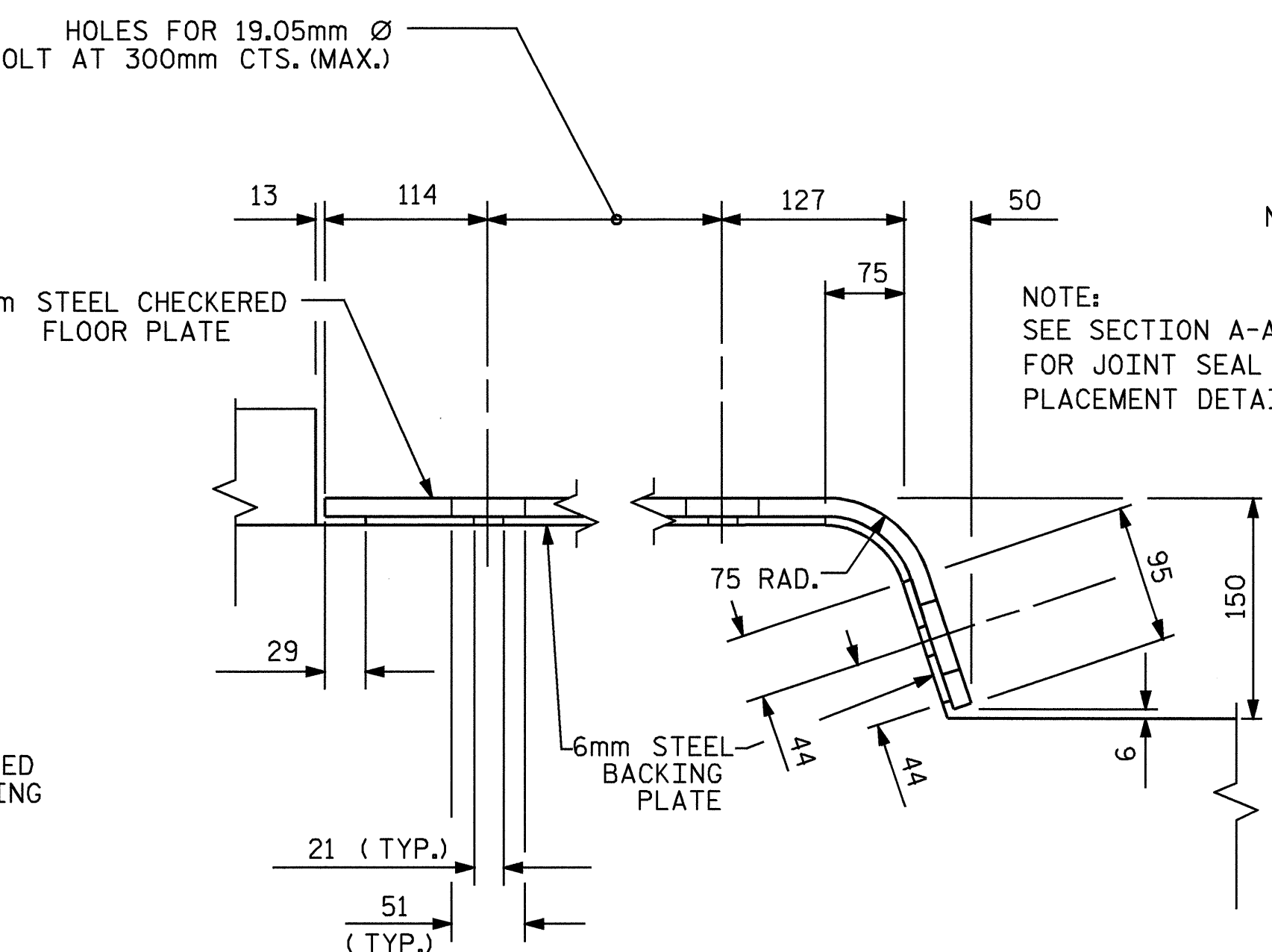
BILL OF MATERIAL	
END BENT NO.	ELASTOMERIC CONCRETE * (CU. METERS)
1	0.1
2	0.1

* BASED ON THE MINIMUM BLOCKOUT SHOWN.



SECTION A-A

SIDEWALK WITH EVAZOTE JOINT SEAL



SECTION D-D

HOLES FOR 19.05mm Ø BOLT AT 300mm CTS. (MAX.)

NOTE: SEE SECTION A-A FOR JOINT SEAL PLACEMENT DETAIL

12mm STEEL CHECKERED FLOOR PLATE

29

13

114

127

50

75

75 RAD.

56

150

9

21 (TYP.)

51 (TYP.)

6mm STEEL BACKING PLATE

AA

AA

29

13

114

127

50

75

75 RAD.

56

150

9

21 (TYP.)

51 (TYP.)

12mm STEEL CHECKERED FLOOR PLATE

29

13

114

127

50

75

75 RAD.

56

150

9

21 (TYP.)

51 (TYP.)

12mm STEEL CHECKERED FLOOR PLATE

29

13

114

127

50

75

75 RAD.

56

150

9

21 (TYP.)

51 (TYP.)

12mm STEEL CHECKERED FLOOR PLATE

29

13

114

127

50

75

75 RAD.

56

150

9

21 (TYP.)

51 (TYP.)

12mm STEEL CHECKERED FLOOR PLATE

29

13

114

127

50

75

75 RAD.

56

150

9

21 (TYP.)

51 (TYP.)

12mm STEEL CHECKERED FLOOR PLATE

29

13

114

127

50

75

75 RAD.

56

150

9

21 (TYP.)

51 (TYP.)

12mm STEEL CHECKERED FLOOR PLATE

29

13

114

127

50

75

75 RAD.

56

150

9

21 (TYP.)

51 (TYP.)

12mm STEEL CHECKERED FLOOR PLATE

29

13

114

127

50

75

75 RAD.

56

150

9

21 (TYP.)

51 (TYP.)

12mm STEEL CHECKERED FLOOR PLATE

29

13

114

127

50

75

75 RAD.

56

150

9

21 (TYP.)

51 (TYP.)

12mm STEEL CHECKERED FLOOR PLATE

29

13

114

127

50

75

75 RAD.

56

150

9

21 (TYP.)

51 (TYP.)

12mm STEEL CHECKERED FLOOR PLATE

29

13

114

127

50

75

75 RAD.

56

150

9

21 (TYP.)

51 (TYP.)

12mm STEEL CHECKERED FLOOR PLATE

29

13

114

127

50

75

75 RAD.

56

150

9

21 (TYP.)

51 (TYP.)

12mm STEEL CHECKERED FLOOR PLATE

29

13

114

127

50

75

75 RAD.

56

150

9

21 (TYP.)

51 (TYP.)

12mm STEEL CHECKERED FLOOR PLATE

29

13

114

127

50

75

75 RAD.

56

150

9

21 (TYP.)

51 (TYP.)

12mm STEEL CHECKERED FLOOR PLATE

29

13

114

127

50

75

75 RAD.

56

150

9

21 (TYP.)

51 (TYP.)

12mm STEEL CHECKERED FLOOR PLATE

29

13

114

127

50

75

75 RAD.

56

150

9

21 (TYP.)

51 (TYP.)

12mm STEEL CHECKERED FLOOR PLATE

29

13

114

127

50

75

75 RAD.

56

150

9

21 (TYP.)

51 (TYP.)

12mm STEEL CHECKERED FLOOR PLATE

29

13

114

127

50

75

75 RAD.

56

150

9

21 (TYP.)

51 (TYP.)

12mm STEEL CHECKERED FLOOR PLATE

29

13

114

127

50

75

75 RAD.

56

150

9

21 (TYP.)

51 (TYP.)

12mm STEEL CHECKERED FLOOR PLATE

29