

STATE OF
 NORTH CAROLINA
 DEPT. OF TRANSPORTATION
 DIVISION OF HIGHWAYS
 RALEIGH, N.C.

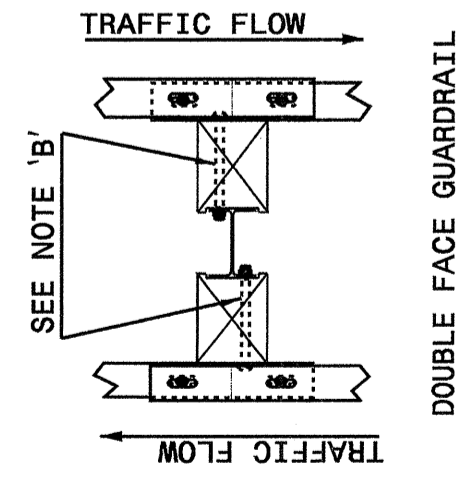
ENGLISH DETAIL DRAWING FOR
GUARDRAIL INSTALLATION

SHEET 3 OF 7
862D02

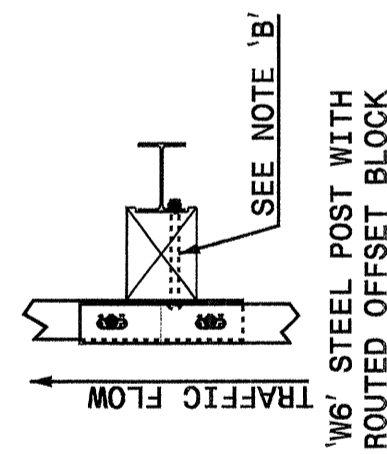
STATE OF
 NORTH CAROLINA
 DEPT. OF TRANSPORTATION
 DIVISION OF HIGHWAYS
 RALEIGH, N.C.

ENGLISH DETAIL DRAWING FOR
GUARDRAIL INSTALLATION

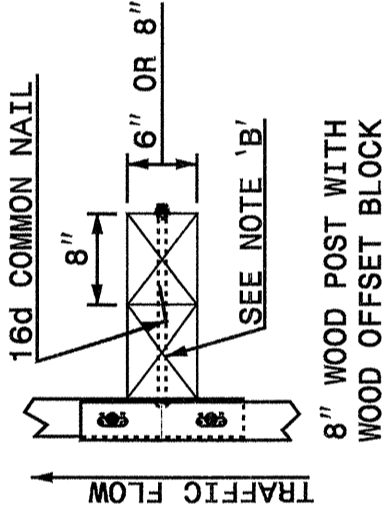
SHEET 3 OF 7
862D02



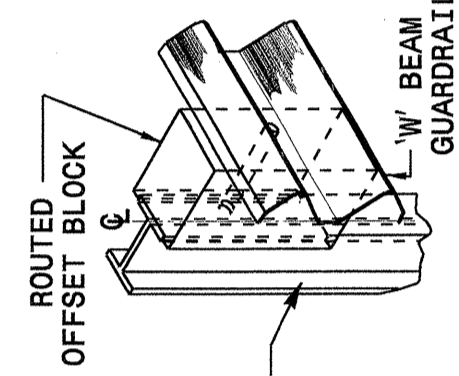
DOUBLE FACE GUARDRAIL



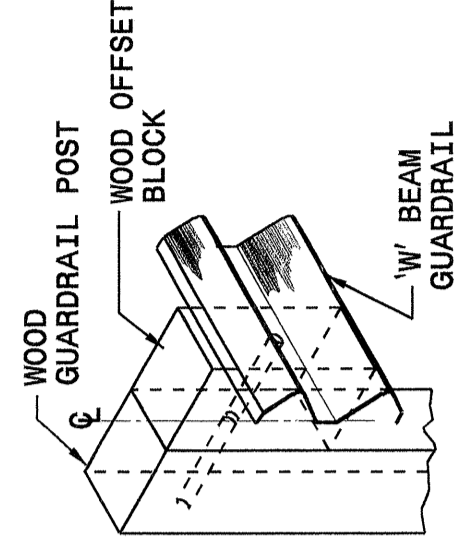
W6 STEEL POST WITH
 ROUTED OFFSET BLOCK



8" WOOD POST WITH
 WOOD OFFSET BLOCK



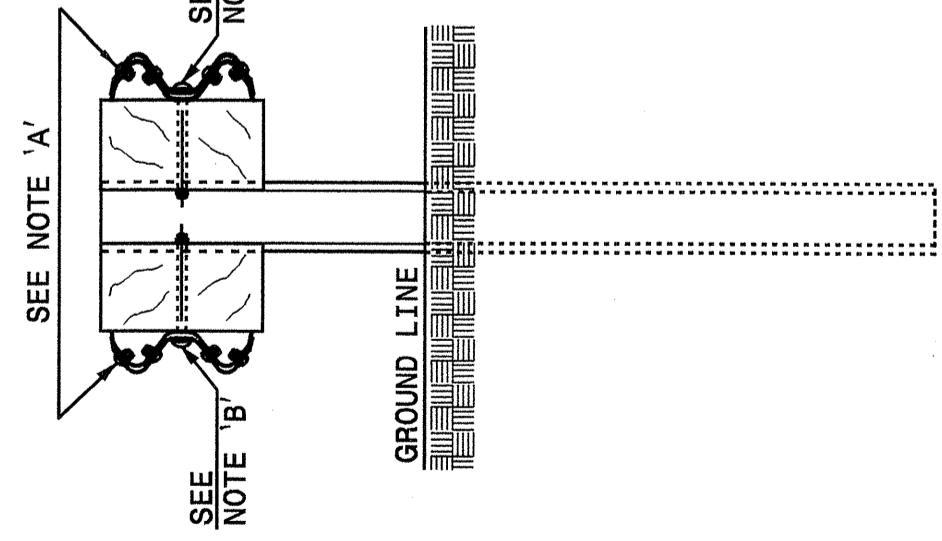
ROUTED
 OFFSET BLOCK



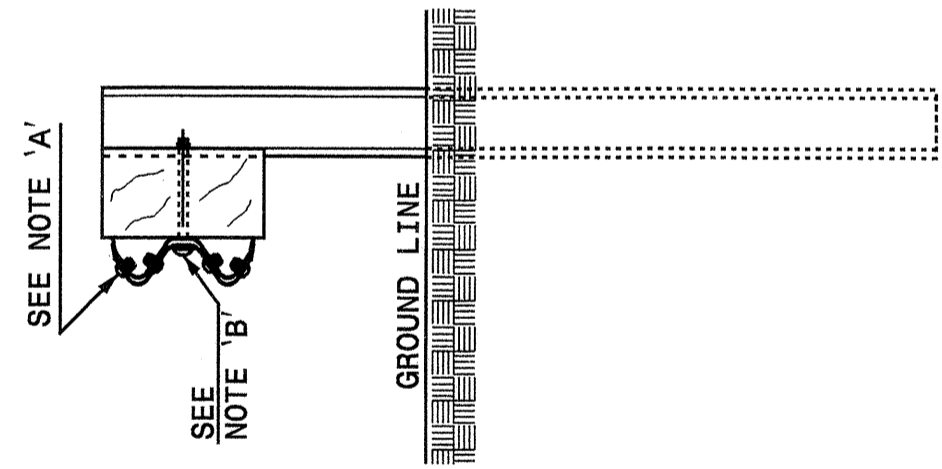
WOOD GUARDRAIL POST
 WOOD OFFSET
 BLOCK

PLAN

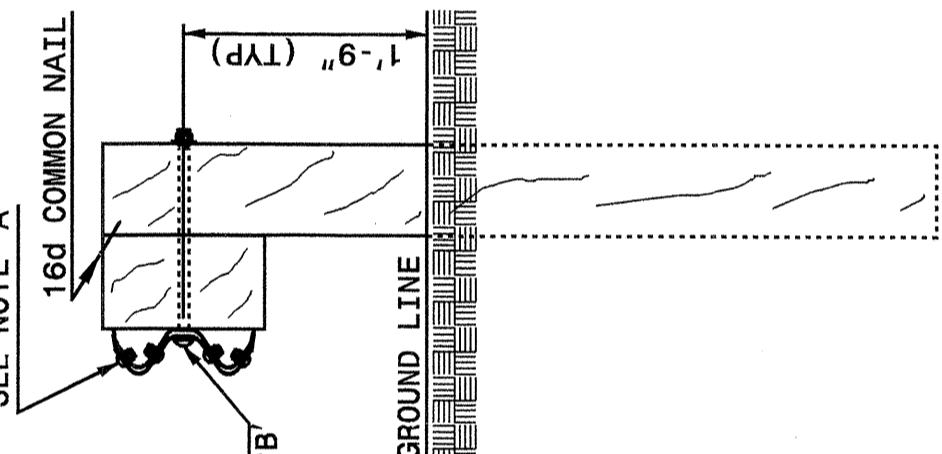
ISOMETRIC VIEWS



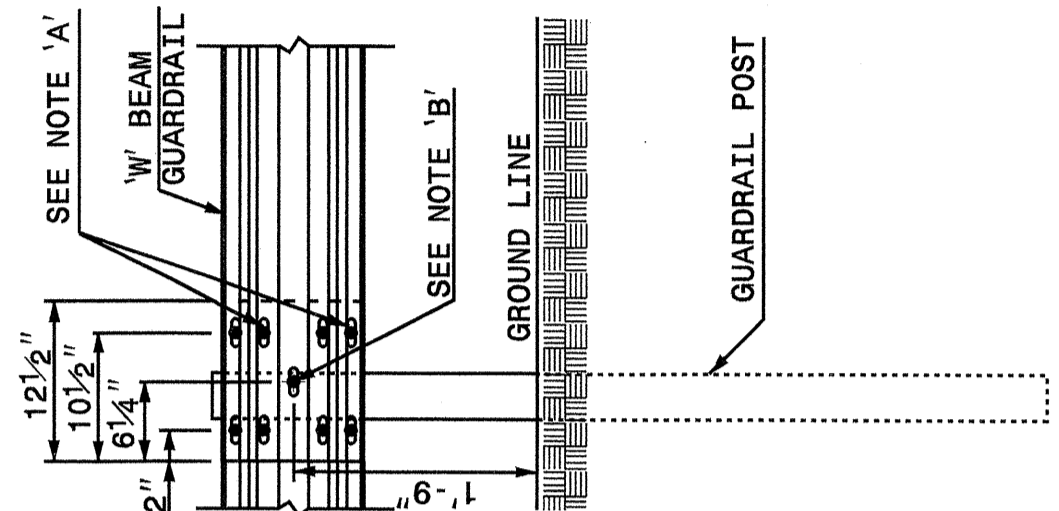
DOUBLE FACE GUARDRAIL



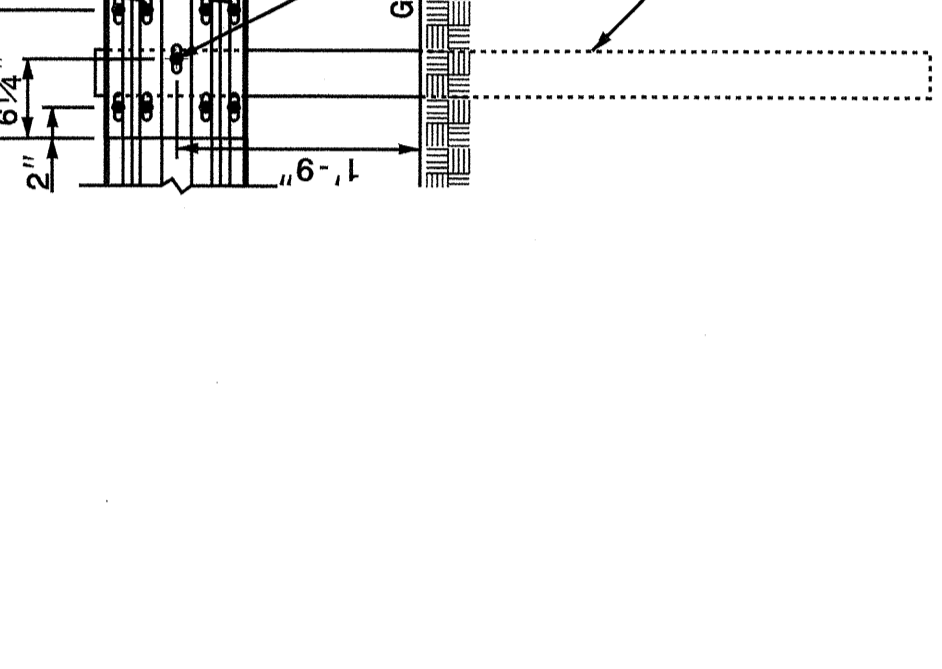
W6 STEEL POST WITH
 ROUTED OFFSET BLOCK



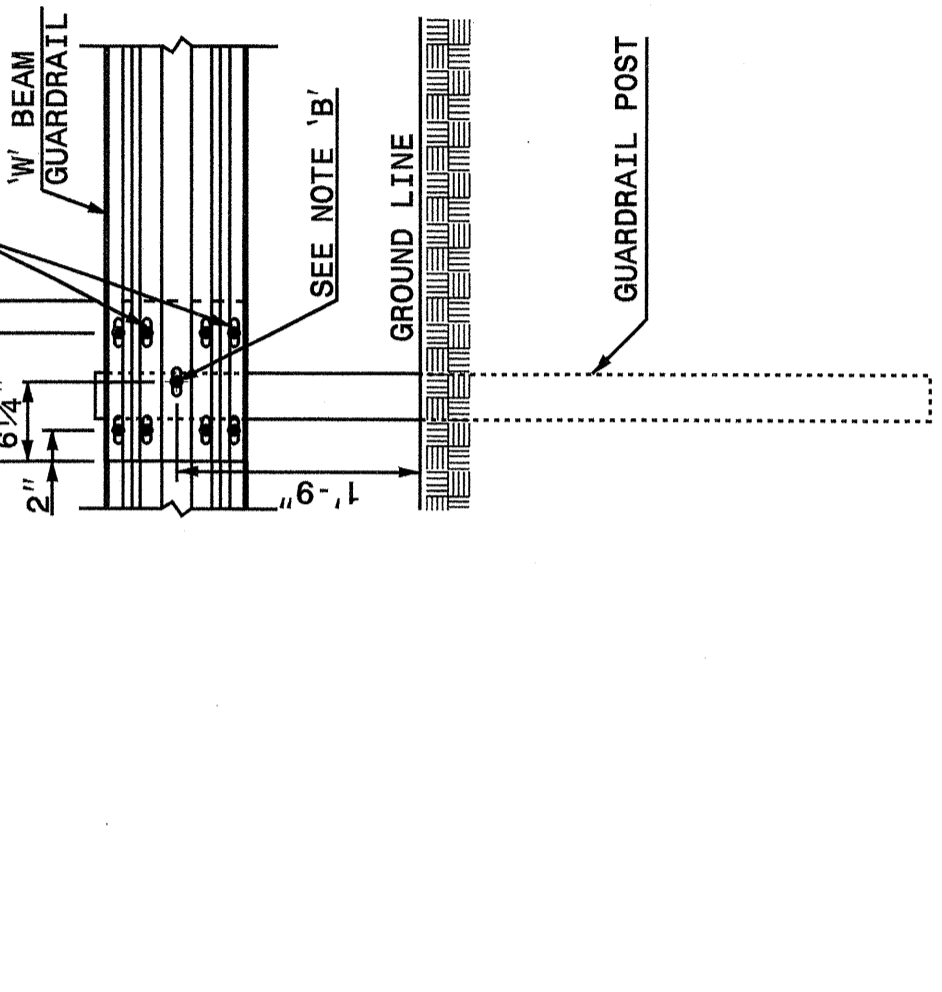
8" WOOD POST WITH
 WOOD OFFSET BLOCK



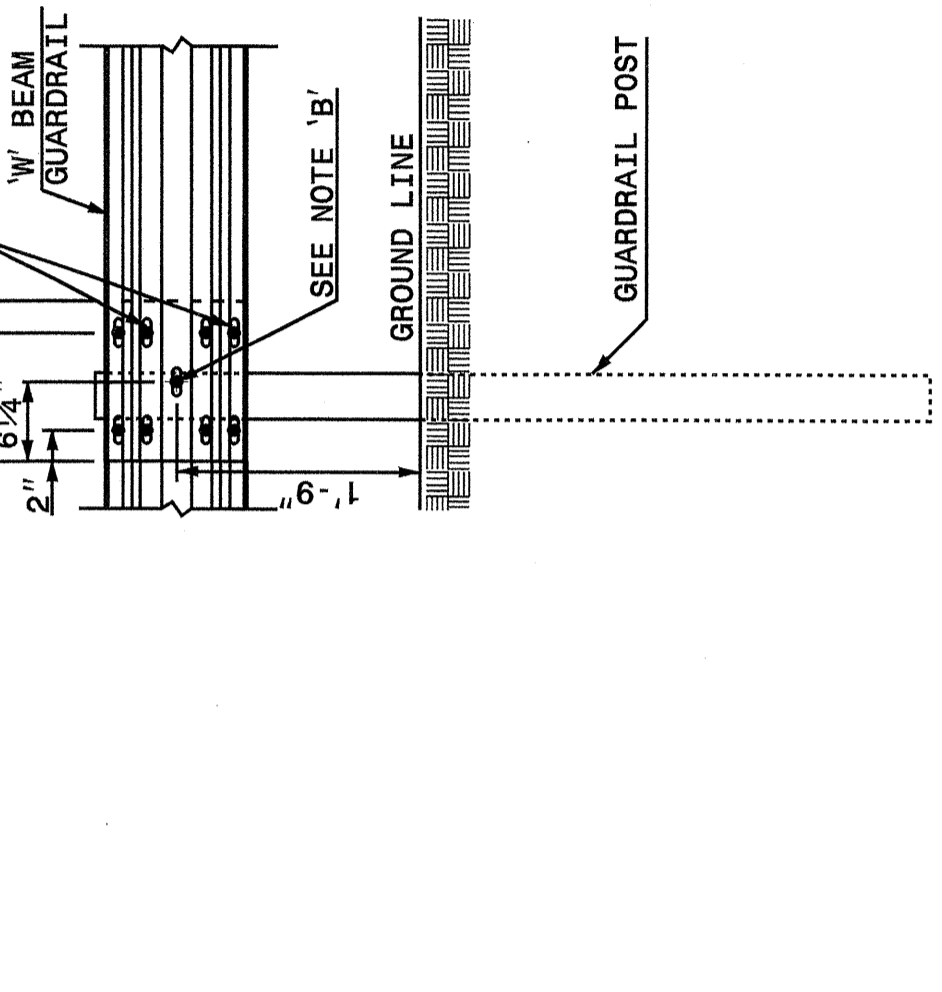
FRONT



SIDE



SIDE



SIDE

- NOTES:
 A - 3/8" DIA. BUTTON HEAD SPlice BOLT 1 1/4" LONG WITH STD. WASHER UNDER NUT (8 REQ. PER SPlice JOINT).
 B - 3/8" DIA. BUTTON HEAD BOLT 7 1/2" / 9" LONG WITH NUT FOR BOLTING 6" / 8" ROUTED OFFSET BLOCK TO STEEL POSTS OR
 5/8" DIA. BUTTON HEAD BOLT 18" LONG WITH STD. WASHER UNDER NUT FOR BOLTING TO WOOD POSTS (1 REQ. PER LOCATION)
 C - FIELD PUNCHING OF HOLES INTO GUARDRAIL SHALL BE AS DIRECTED BY THE ENGINEER.

TYPICAL GUARDRAIL AND GUARDRAIL POST ALTERNATIVES

STATE OF
 NORTH CAROLINA
 DEPT. OF TRANSPORTATION
 DIVISION OF HIGHWAYS
 RALEIGH, N.C.

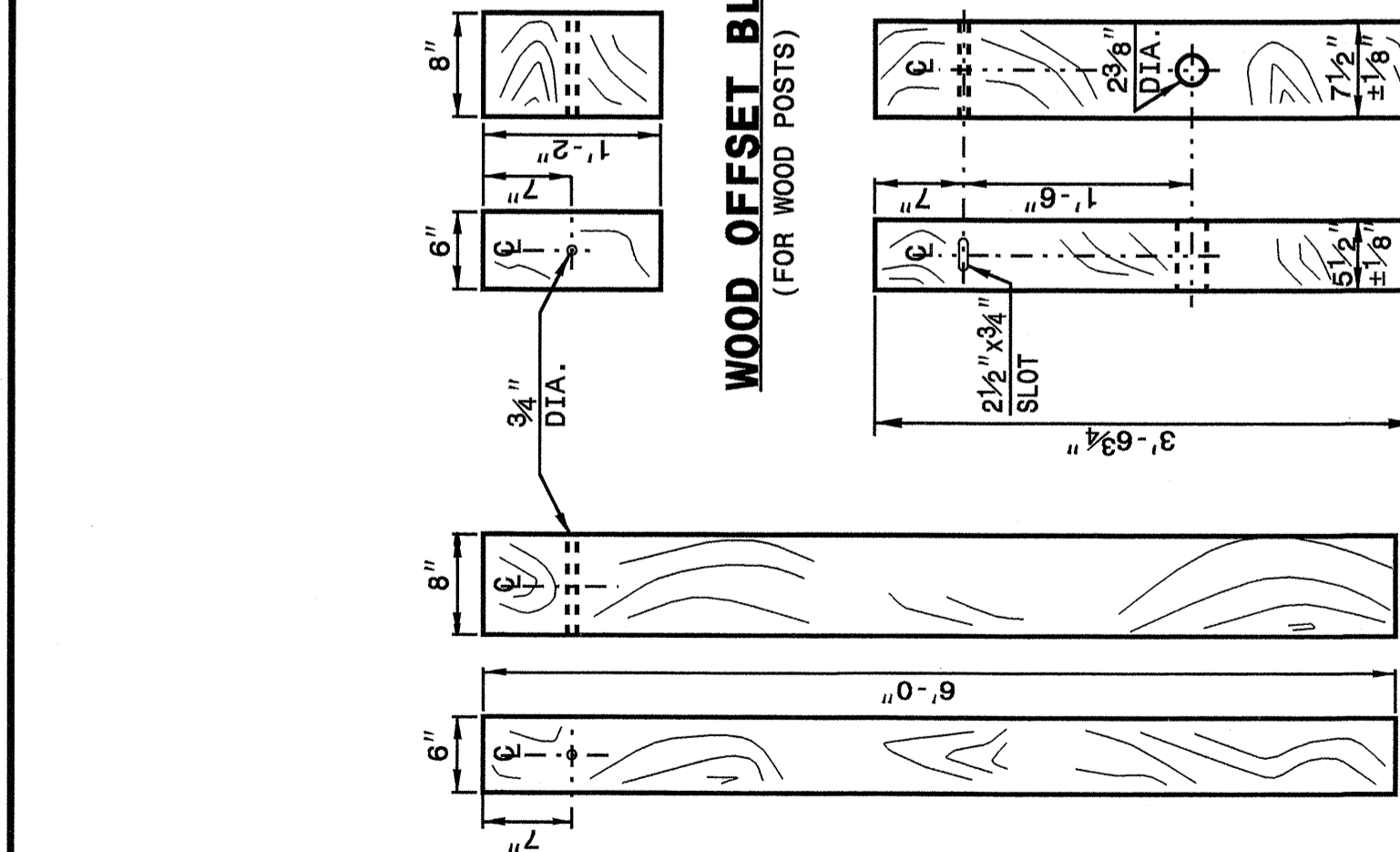
ENGLISH DETAIL DRAWING FOR
GUARDRAIL INSTALLATION

SHEET 4 OF 7
862D02

STATE OF
 NORTH CAROLINA
 DEPT. OF TRANSPORTATION
 DIVISION OF HIGHWAYS
 RALEIGH, N.C.

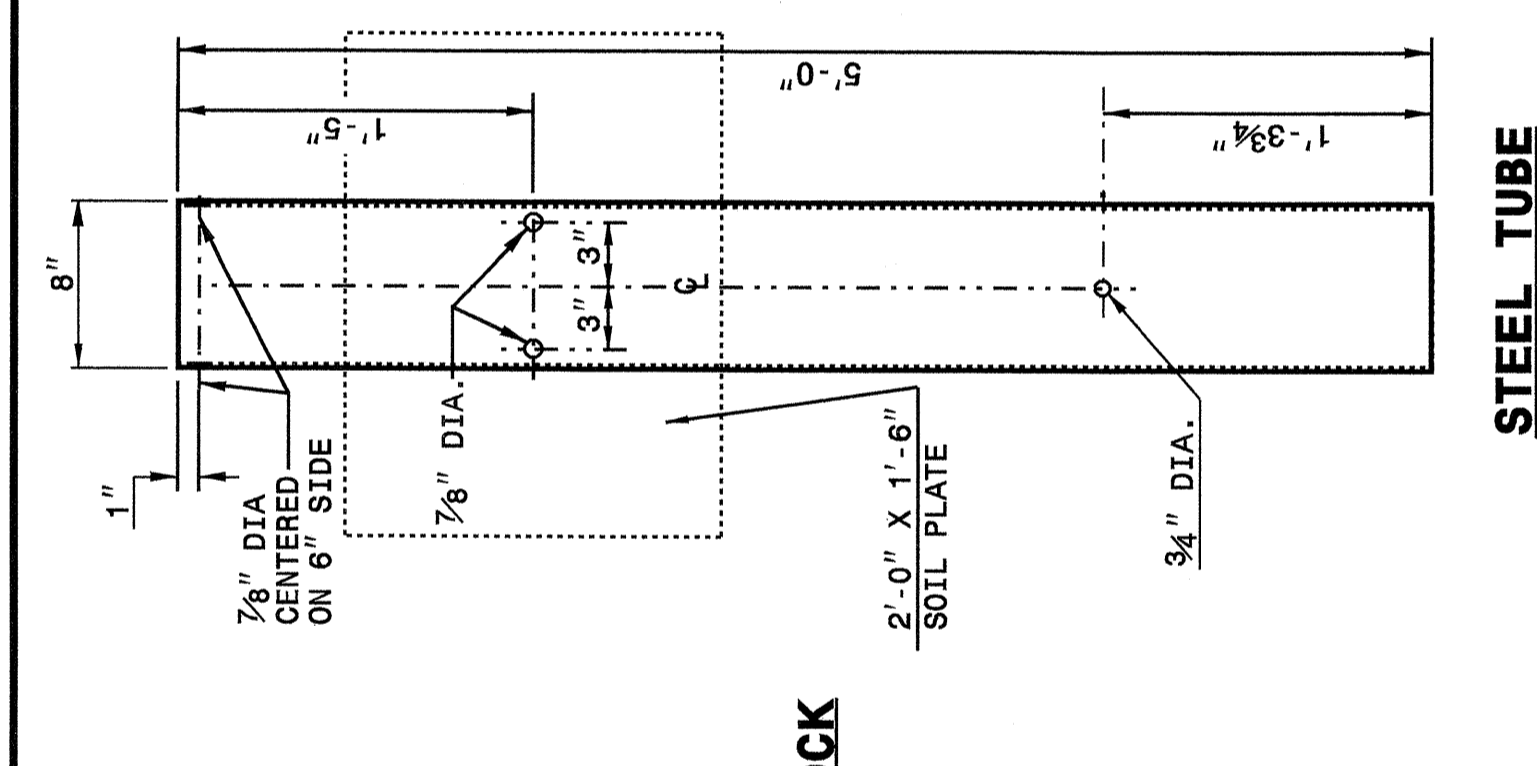
ENGLISH DETAIL DRAWING FOR
GUARDRAIL INSTALLATION

SHEET 4 OF 7
862D02



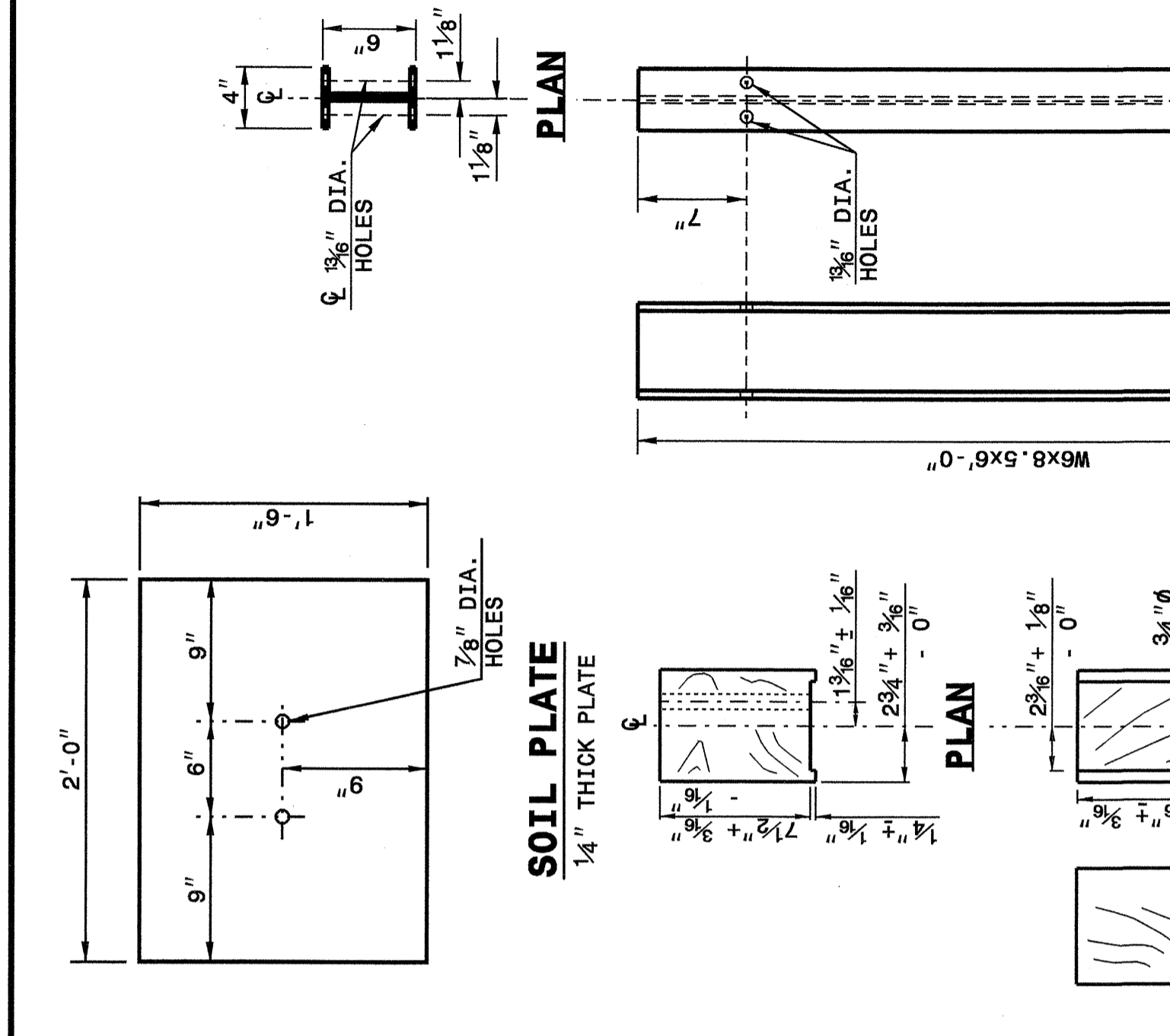
STANDARD
 LINE POST

SHORT WOOD
 BREAKAWAY POST



STEEL TUBE
 TS 6" X 8" X 0.1875"

SOIL PLATE
 1/4" THICK PLATE



BEARING PLATE
 5/8" THICK PLATE

ROUTED WOOD
 OFFSET BLOCK

"W6" STEEL POST

SYSTEM PARTS

DESIGN SERVICES UNIT
 STANDARDS AND SPECIAL DESIGN
 Office 919-250-4128 FAX 919-250-4119

SEE PLATE FOR TITLE

ORIGINAL BY: 2002 STD.862.02 DATE: _____
 MODIFIED BY: E.E. WARD DATE: 02-09-03
 CHECKED BY: *[Signature]* DATE: 3-02
 FILE SPEC.: /usr/std/02/todet/21/eng1/sh/86202/862d02.dgn

