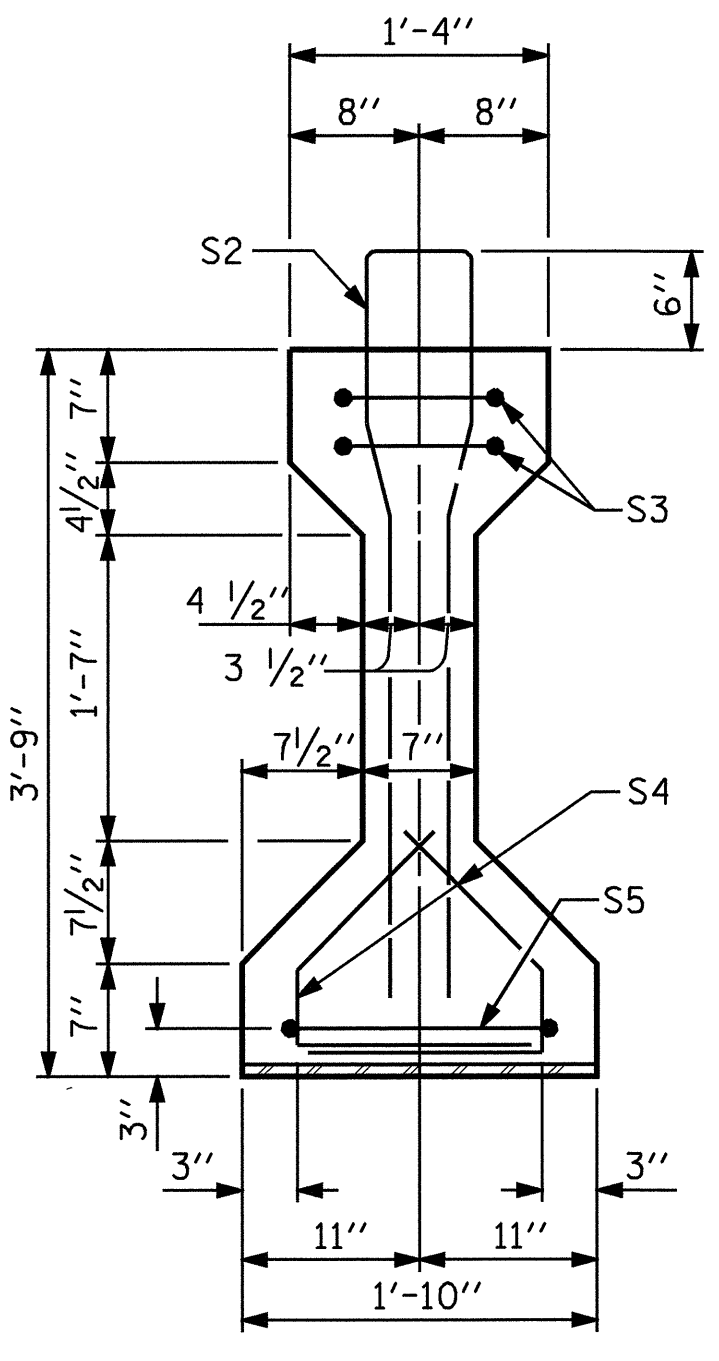
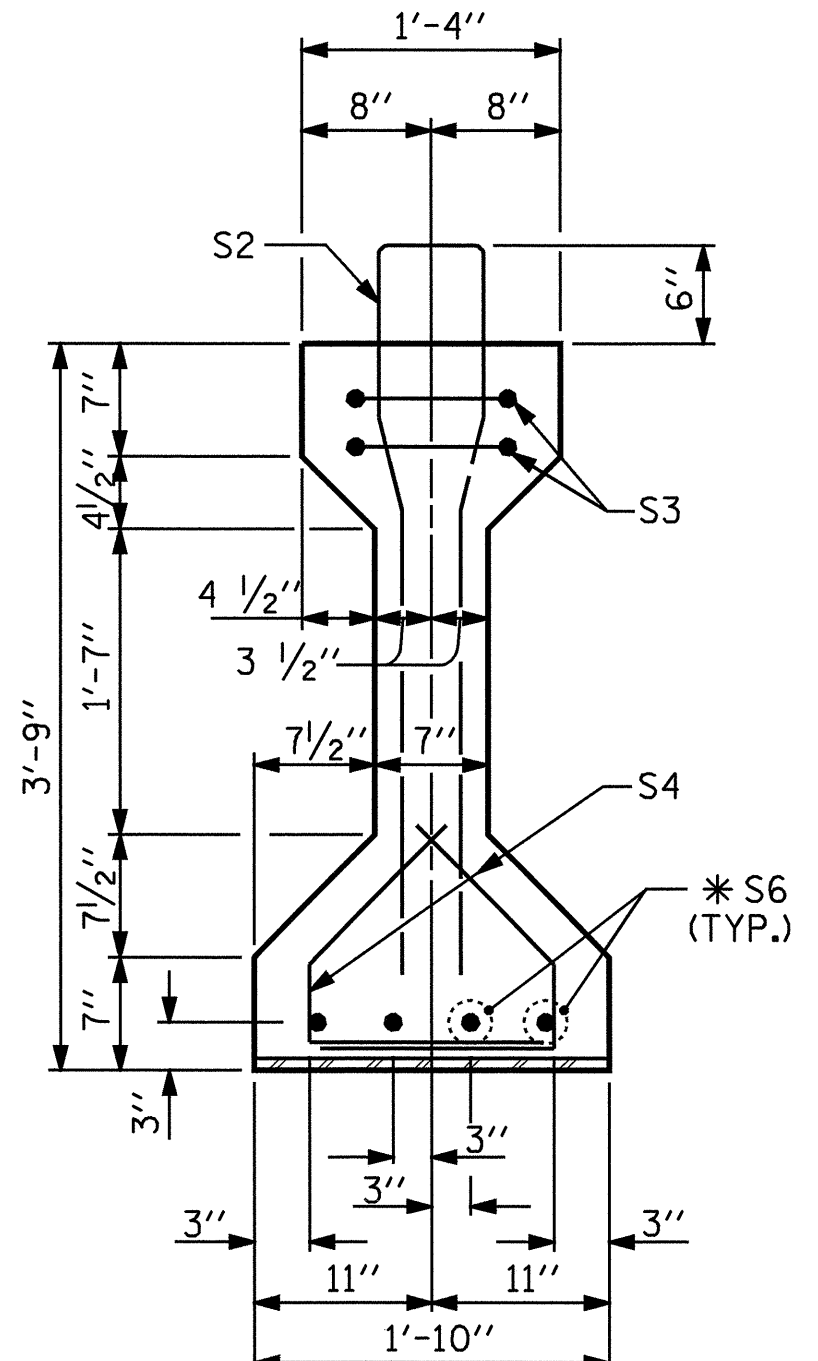


BEVEL ON GIRDERS

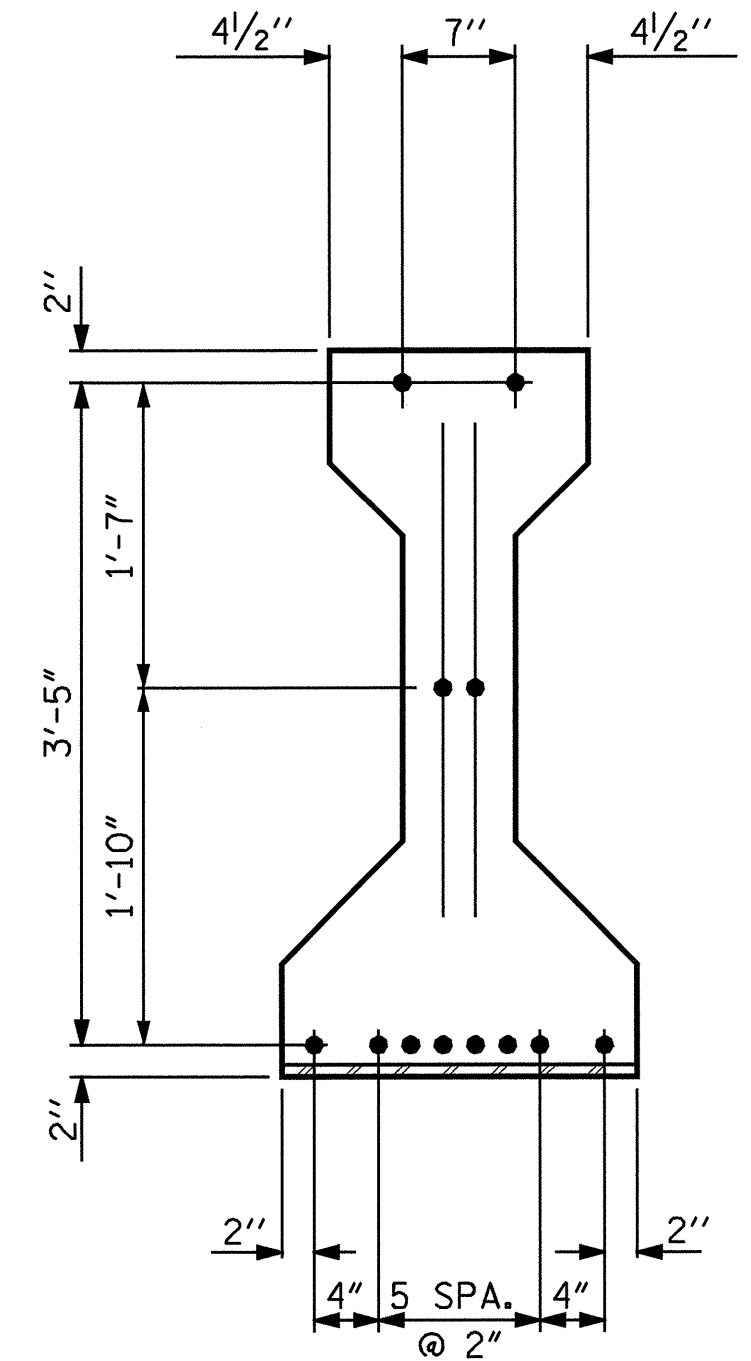
TABLE 1		
GIRDERS	DIMENSION A	DIMENSION B
GIRDER A1	24'-10 1/4"	
GIRDER A2	24'-10 1/4"	23'-0 5/8"
GIRDER A3	24'-10 1/4"	23'-0 5/8"
GIRDER A4	23'-0 5/8"	



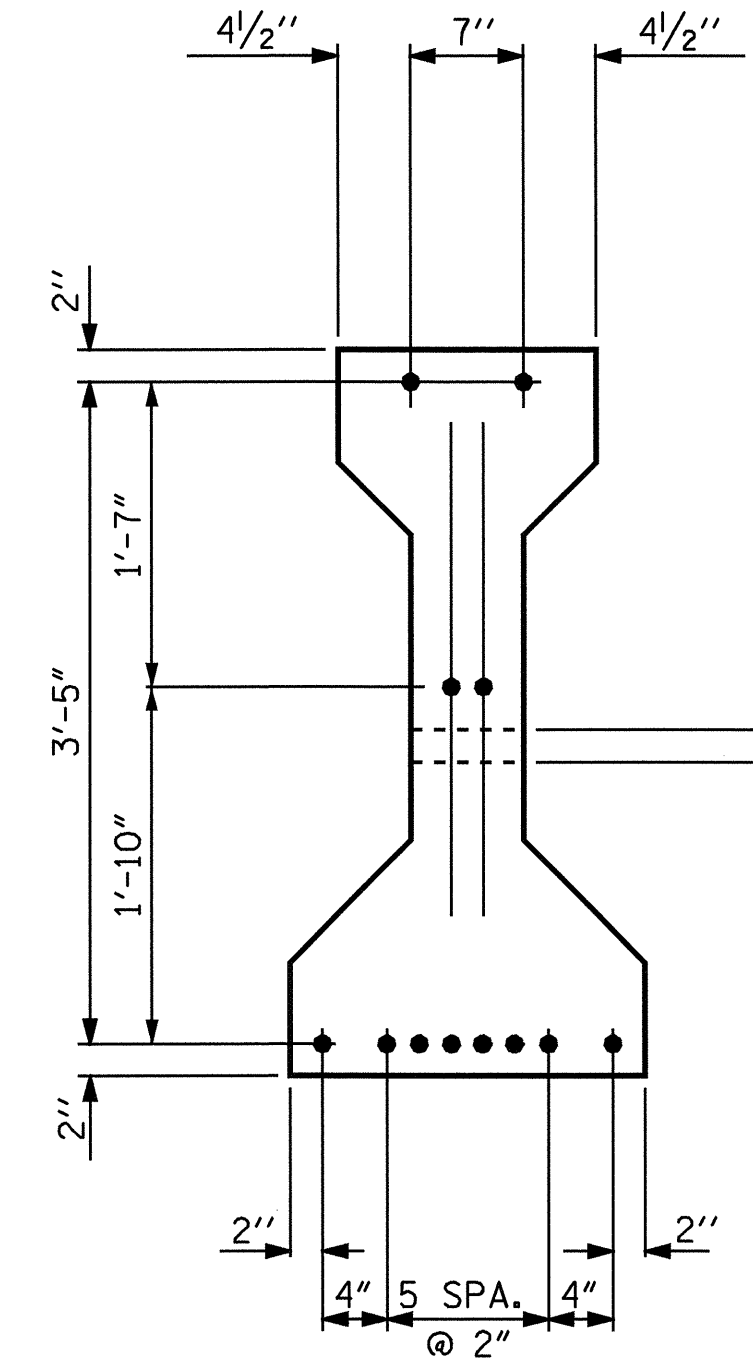
SECTION A-A



SECTION B-B



AT END OF GIRDER



AT CL OF GIRDER

1/2" Ø LOW RELAXATION STRAND LAYOUT

3" Ø CORED OR FORMED HOLE
 SEE SUPERSTRUCTURE "GIRDER
 LAYOUT" FOR LOCATIONS
 (1 HOLE EXTERIOR GIRDER,
 2 HOLES INTERIOR GIRDERS.)

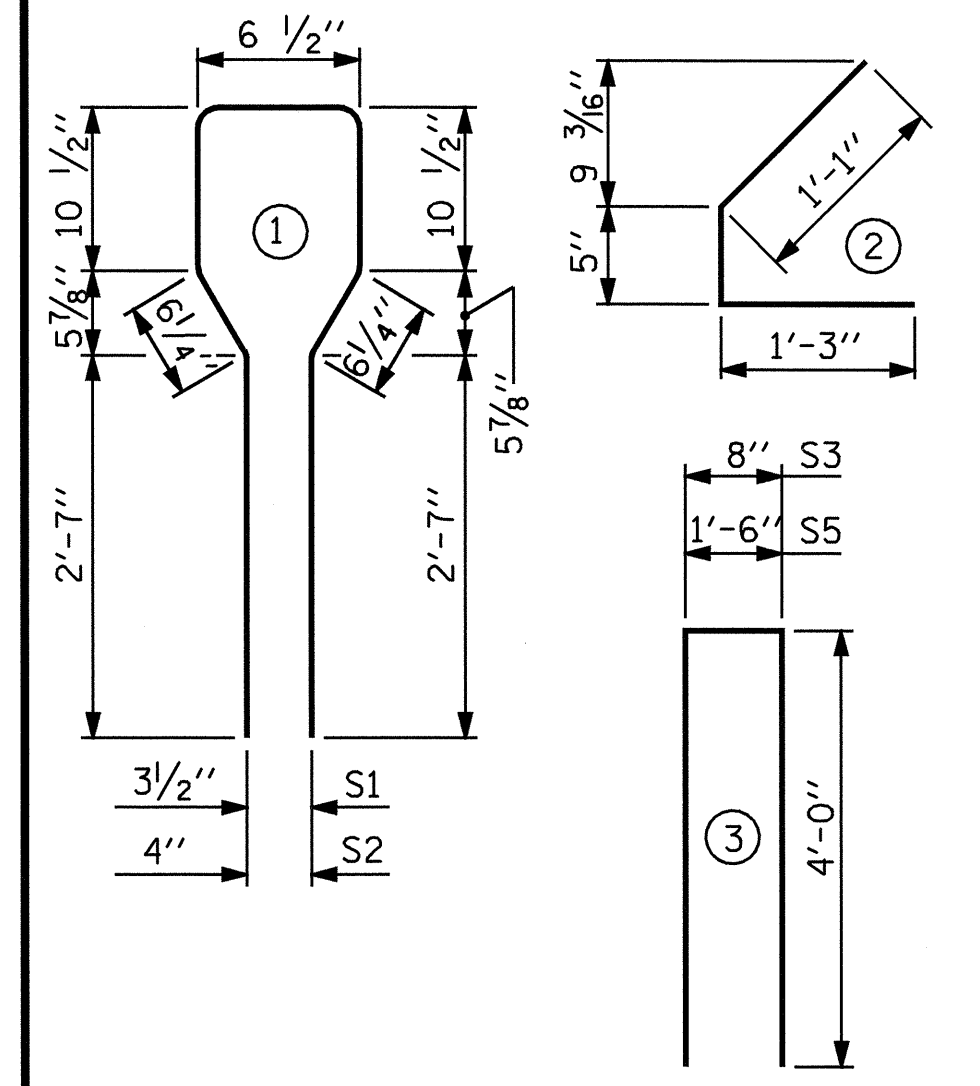
1/2" Ø L. R. GRADE 270 STRANDS		
AREA (SQUARE INCHES)	ULTIMATE STRENGTH (LBS. PER STRAND)	APPLIED PRESTRESS (LBS. PER STRAND)
0.153	41,300	30,980

REINFORCING STEEL FOR ONE GIRDER					
BAR	NUMBER	SIZE	TYPE	LENGTH	WEIGHT
S1	36	#4	1	8'-6"	204
S2	12	#6	1	8'-6"	153
S3	4	#4	3	8'-8"	23
S4	60	#4	2	2'-9"	110
S5	1	#4	3	9'-6"	6
*S6	4	#5	STR	3'-8"	15

* NOTE: S6 BARS SHALL BE BENT BEFORE SHIPMENT. HEAT BENDING SHALL NOT BE ALLOWED.

BAR TYPES

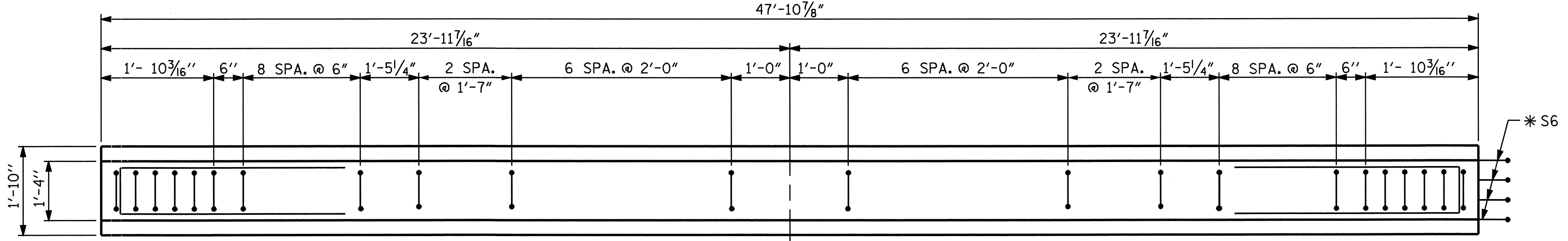
ALL BAR DIMENSIONS ARE OUT-TO-OUT



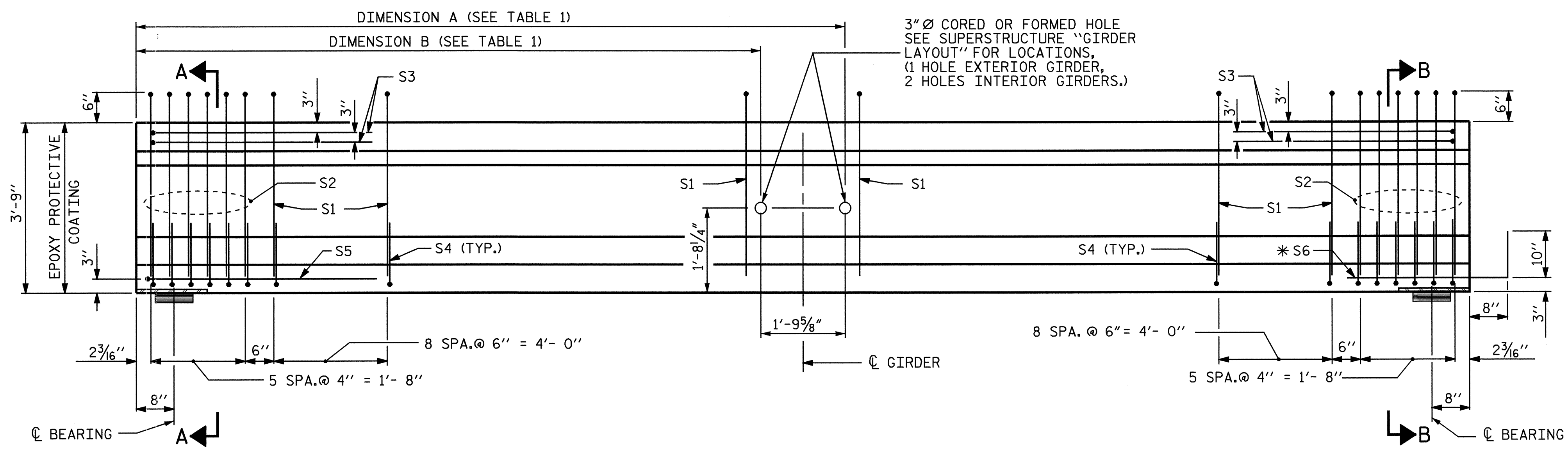
QUANTITIES FOR ONE GIRDER			
REINFORCING STEEL	5,000 PSI CONCRETE	1/2" Ø L.R. STRANDS	
LB.	C.Y.	No.	
511	6.9	12	

GIRDERS REQUIRED

NUMBER	LENGTH	TOTAL LENGTH
4	47'-10 7/8"	191.63 FT.



PLAN OF GIRDER

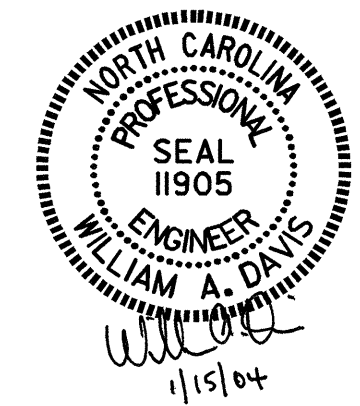


ELEVATION OF GIRDER

PROJECT NO. B-3485
 MACON COUNTY
 STATION: 15+52.00 -L-

SHEET 1 OF 4

STATE OF NORTH CAROLINA
 DEPARTMENT OF TRANSPORTATION
 RALEIGH
 STANDARD
 AASHTO TYPE III
 PRESTRESSED CONCRETE
 GIRDER CONTINUOUS
 FOR LIVE LOAD SPAN A



REVISIONS						SHEET NO.
NO.	BY:	DATE:	NO.	BY:	DATE:	S-9
1			3			TOTAL SHEETS
2			4			32

ASSEMBLED BY : S.H. SOCKWELL	DATE : 2/6/02
CHECKED BY : J.G. KHARVA	DATE : 2/28/02
DRAWN BY : ELR 8/91	REV. 2/6/97 EEM/RGW
CHECKED BY : GRP 8/91	REV. 7/17/98 RWW/LES
	REV. 10/17/00 RWW/LES