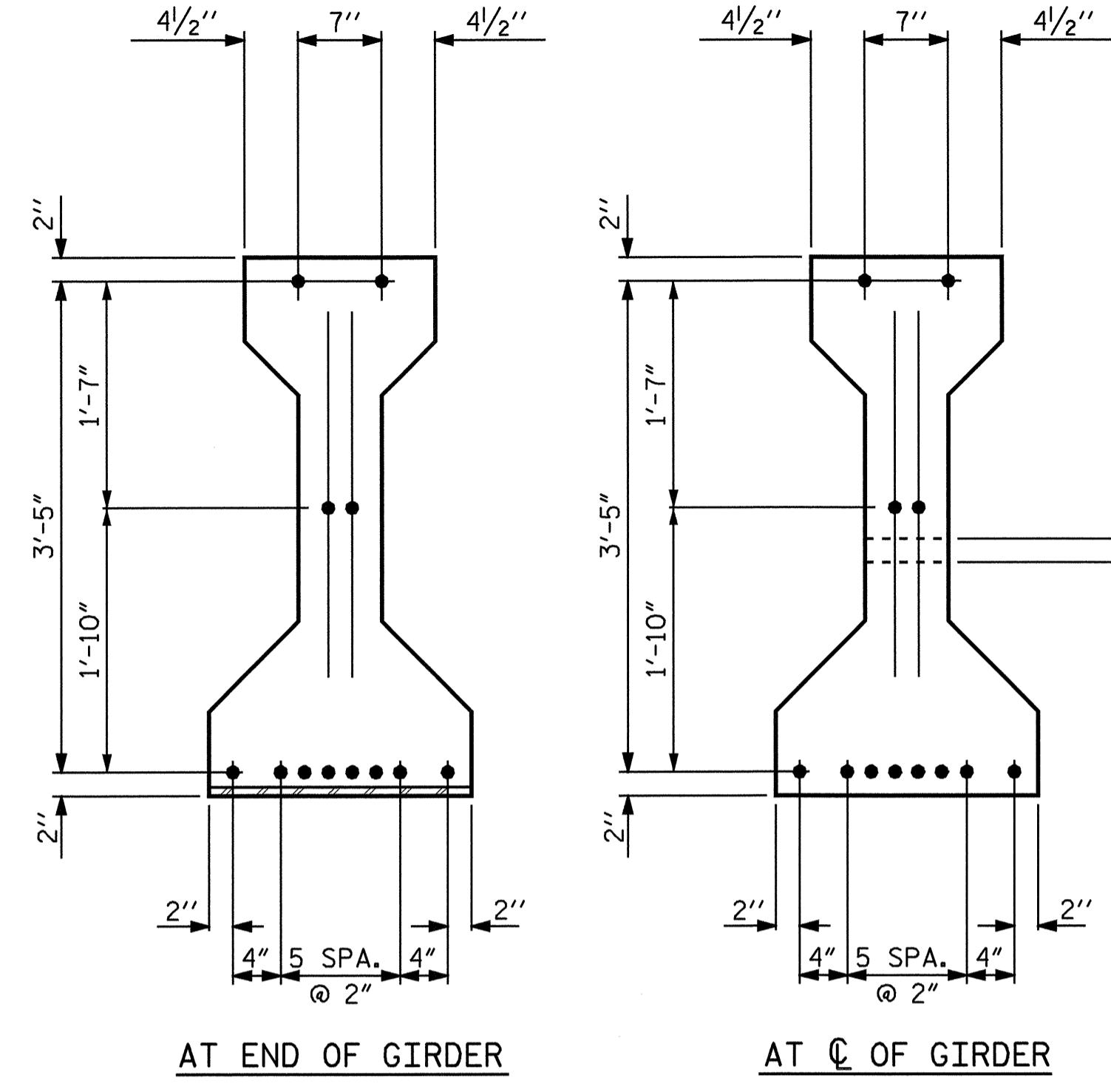
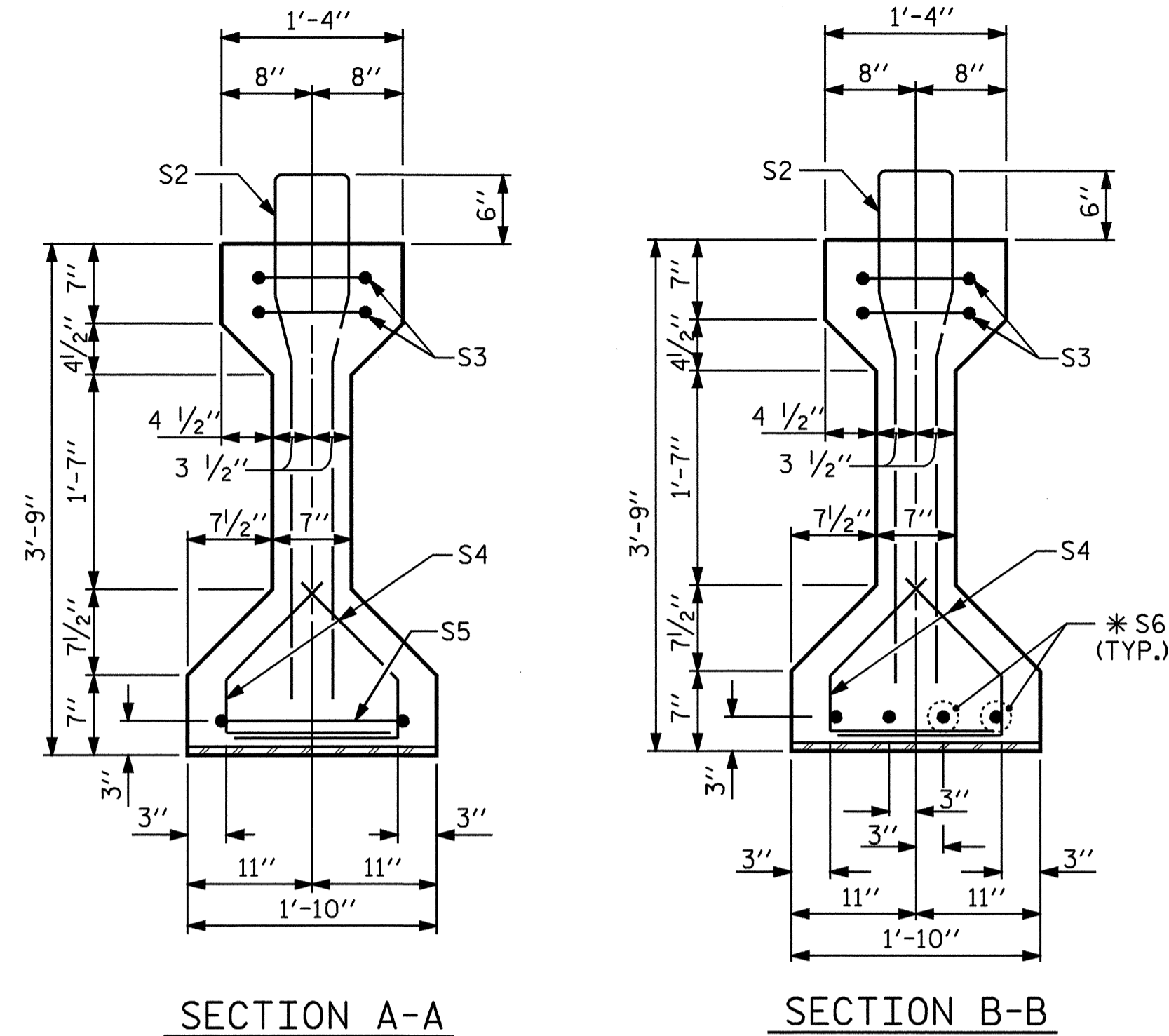


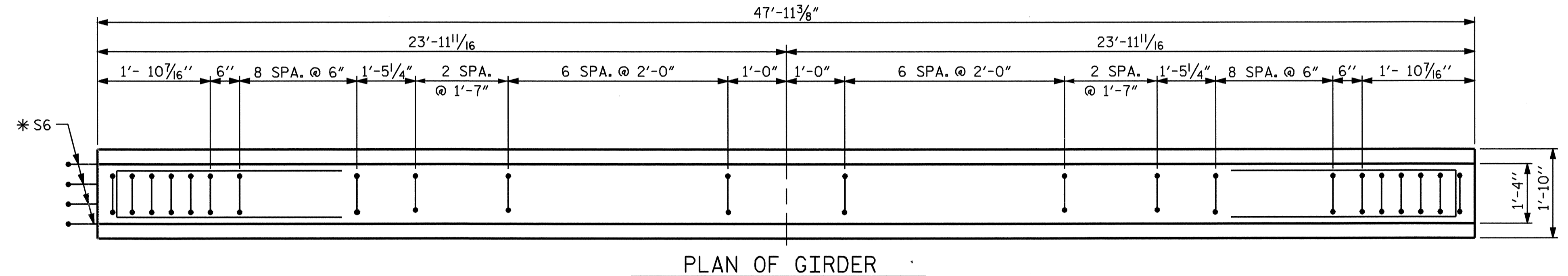
BEVEL ON GIRDERS

TABLE 3		
GIRDERS	DIMENSIONS	DIMENSION B
GIRDER C1	24'-10 1/2"	
GIRDER C2	24'-10 1/2"	23'-0 7/8"
GIRDER C3	24'-10 1/2"	23'-0 7/8"
GIRDER C4	23'-0 7/8"	

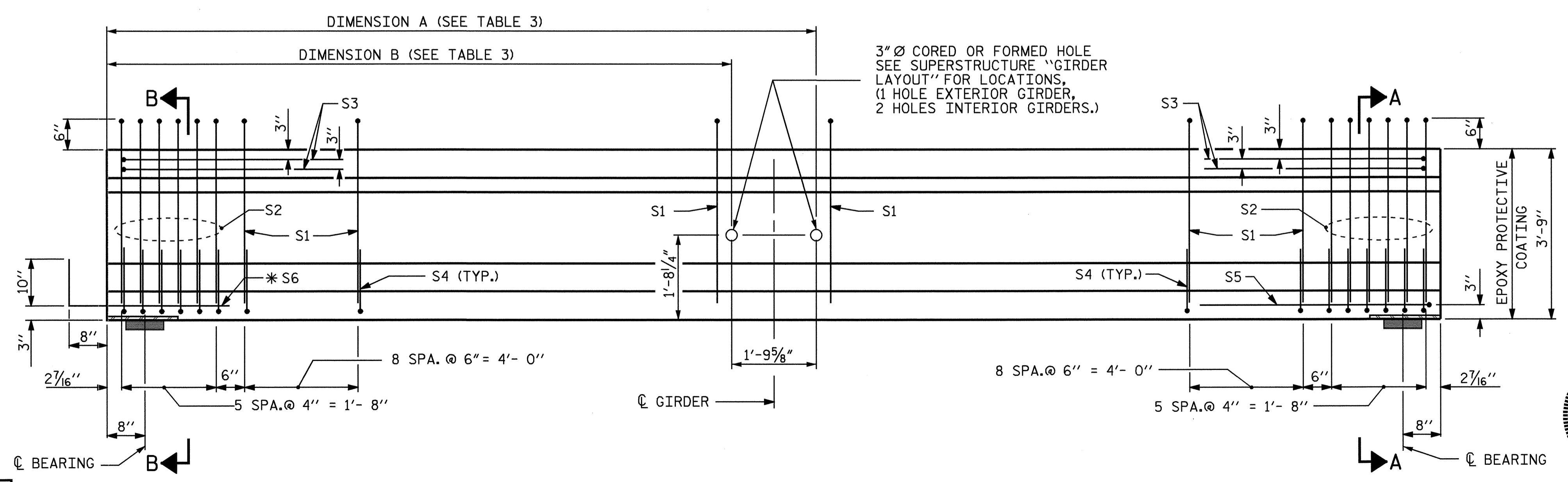


3" Ø CORED OR FORMED HOLE
SEE SUPERSTRUCTURE GIRDER
LAYOUT FOR LOCATIONS.
(1 HOLE EXTERIOR GIRDER,
2 HOLES INTERIOR GIRDERS.)

1/2" Ø LOW RELAXATION STRAND LAYOUT



PLAN OF GIRDER



ELEVATION OF GIRDER

1/2" Ø L. R. GRADE 270 STRANDS

AREA (SQUARE INCHES)	ULTIMATE STRENGTH (LBS. PER STRAND)	APPLIED PRESTRESS (LBS. PER STRAND)
0.153	41,300	30,980

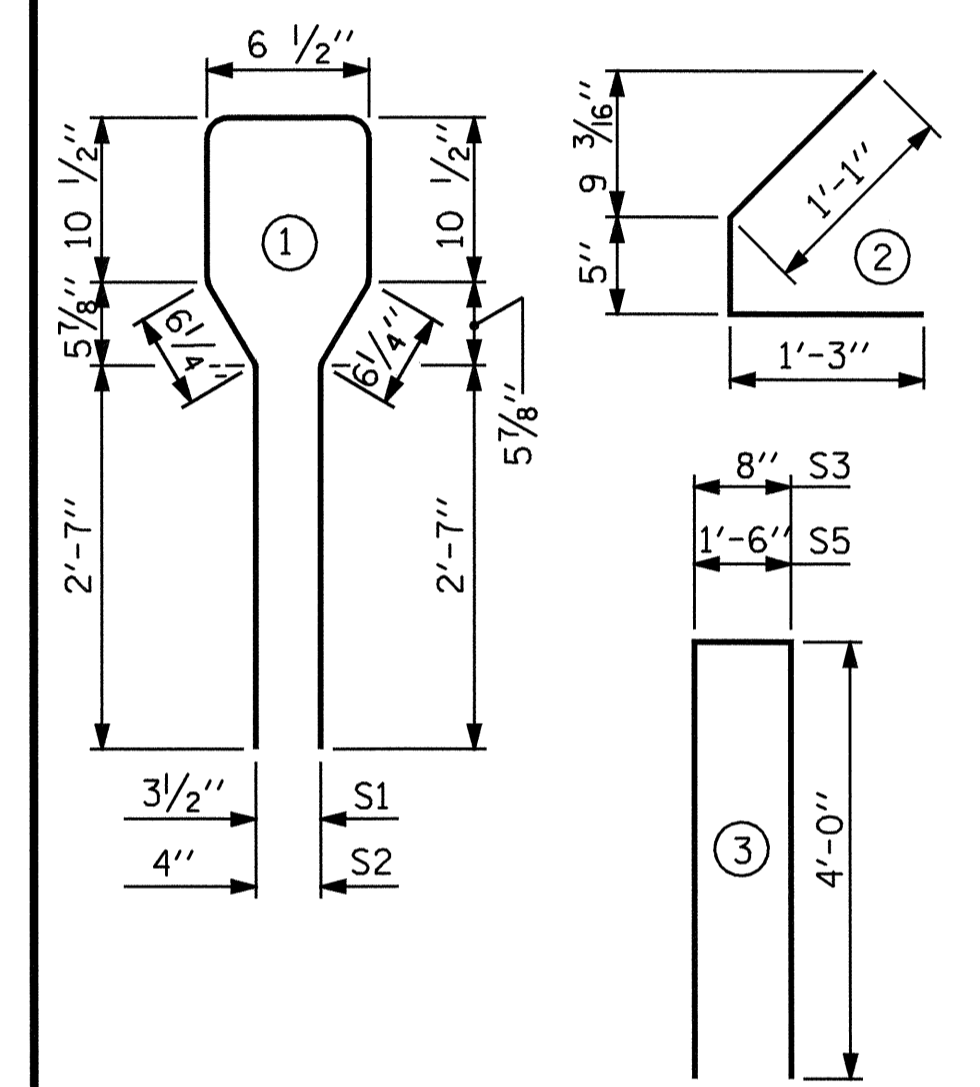
REINFORCING STEEL FOR ONE GIRDER

BAR	NUMBER	SIZE	TYPE	LENGTH	WEIGHT
S1	36	#4	1	8'-6"	204
S2	12	#6	1	8'-6"	153
S3	4	#4	3	8'-8"	23
S4	60	#4	2	2'-9"	110
S5	1	#4	3	9'-6"	6
*S6	4	#5	STR	3'-8"	15

* NOTE: S6 BARS SHALL BE BENT BEFORE SHIPMENT. HEAT BENDING SHALL NOT BE ALLOWED.

BAR TYPES

ALL BAR DIMENSIONS ARE OUT-TO-OUT



QUANTITIES FOR ONE GIRDER

	REINFORCING STEEL LB.	5,000 PSI CONCRETE C.Y.	1/2" Ø L.R. STRANDS No.
	511	6.9	12

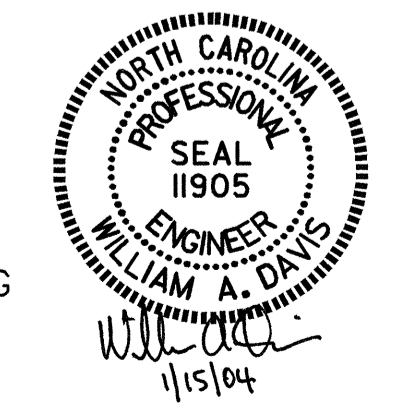
GIRDERS REQUIRED

NUMBER	LENGTH	TOTAL LENGTH
4	47'-11 3/8"	191.79 FT.

PROJECT NO. B-3485
MACON COUNTY
STATION: 15+52.00 -L-

SHEET 3 OF 4

STATE OF NORTH CAROLINA
DEPARTMENT OF TRANSPORTATION
RALEIGH
STANDARD
AASHTO TYPE III
PRESTRESSED CONCRETE
GIRDER CONTINUOUS
FOR LIVE LOAD SPAN C



ASSEMBLED BY : S.H. SOCKWELL	DATE : 2/6/02
CHECKED BY : J.G. KHARVA	DATE : 2/28/02
DRAWN BY : ELR 8/91	REV. 2/6/97 EEM/RGW
CHECKED BY : GRP 8/91	REV. 7/17/98 RWW/LES
	REV. 10/17/00 RWW/LES

REVISIONS				SHEET NO.
NO.	BY:	DATE:	NO.	DATE:
1			3	
2			4	

TOTAL SHEETS 32