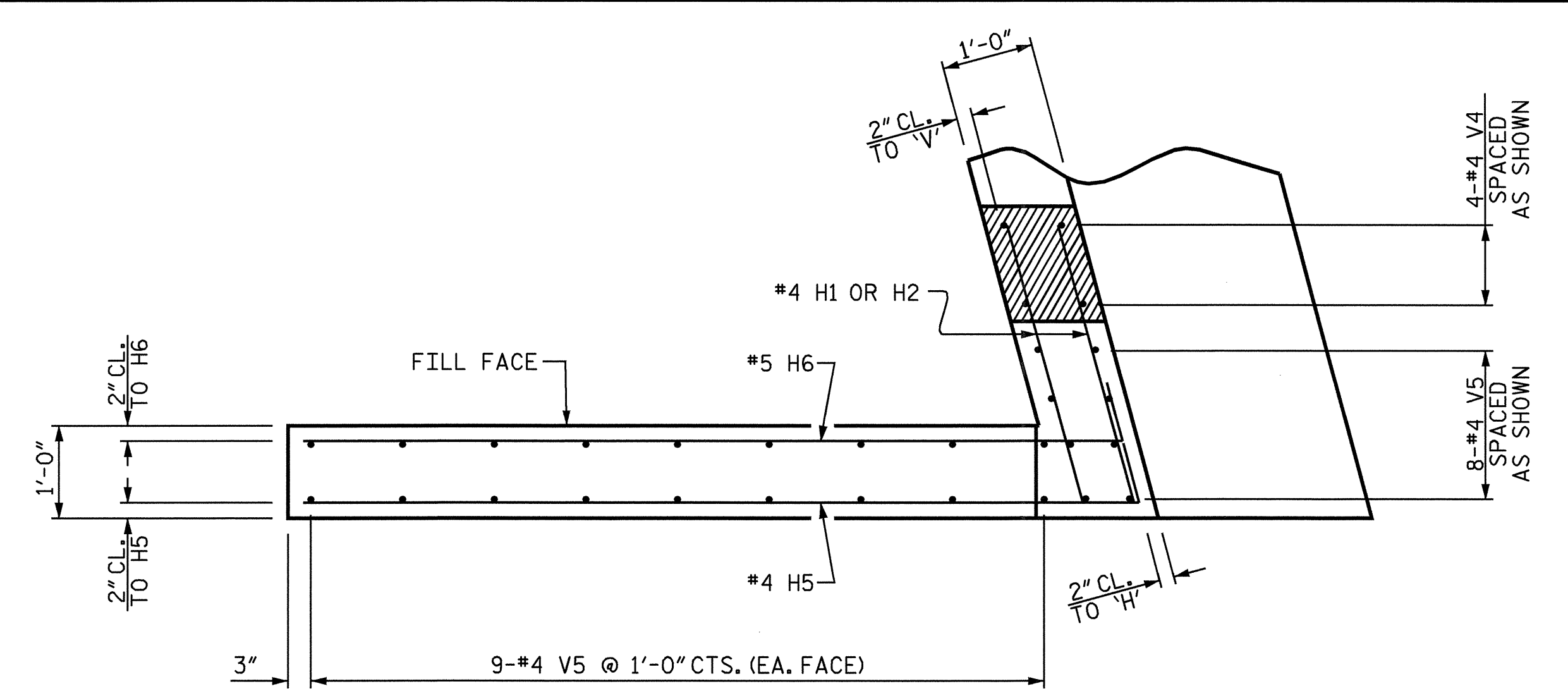
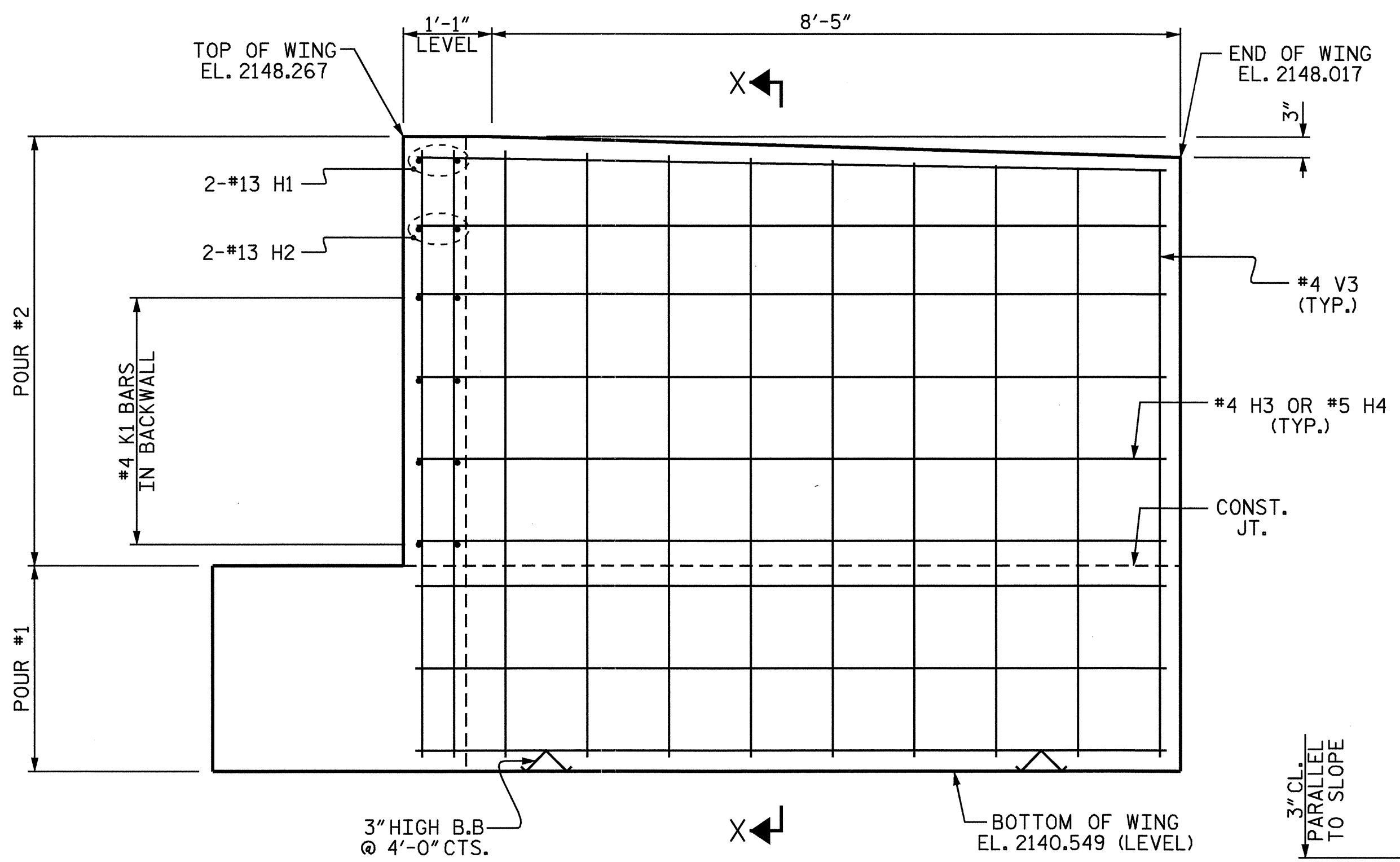


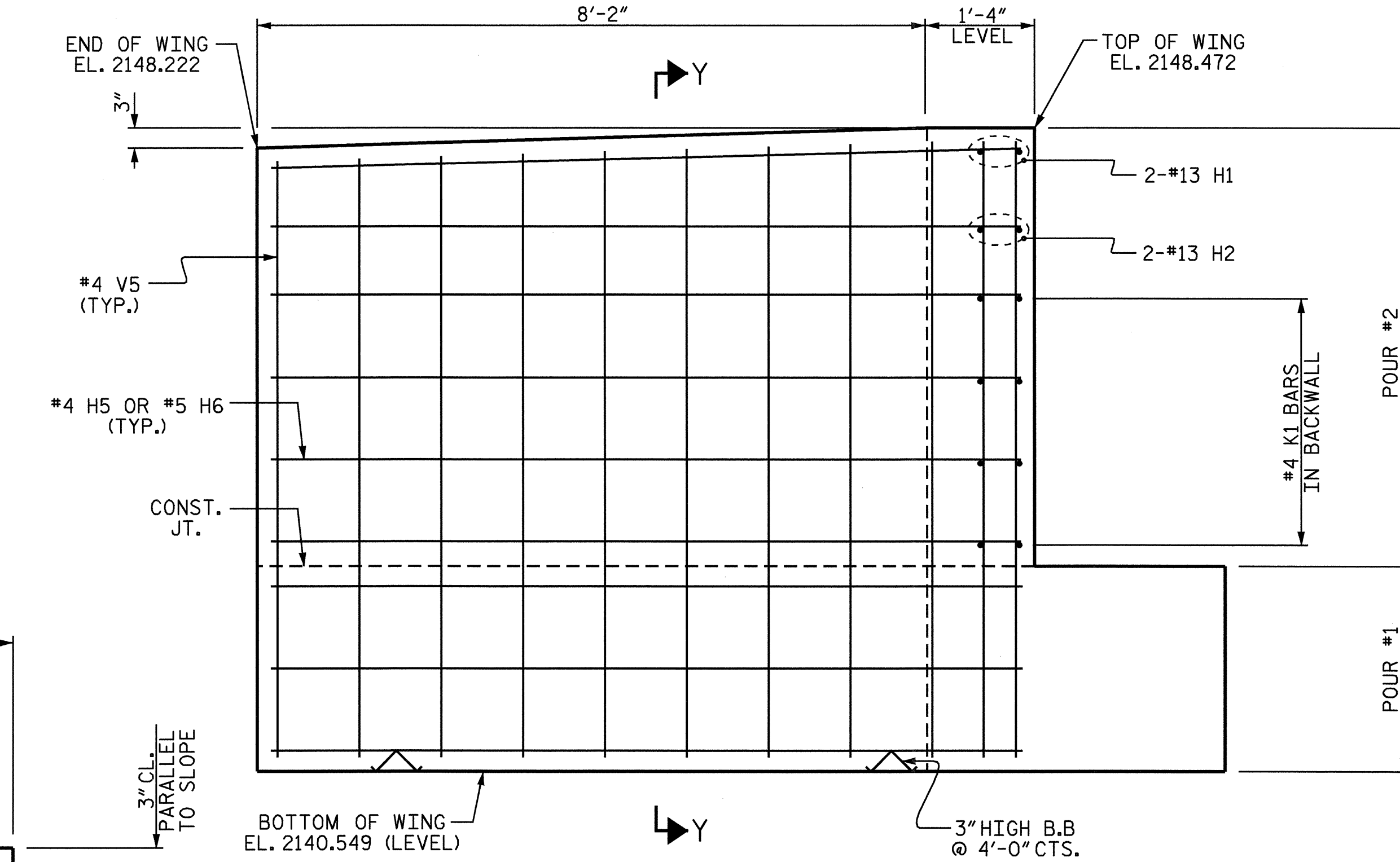
PLAN - W1



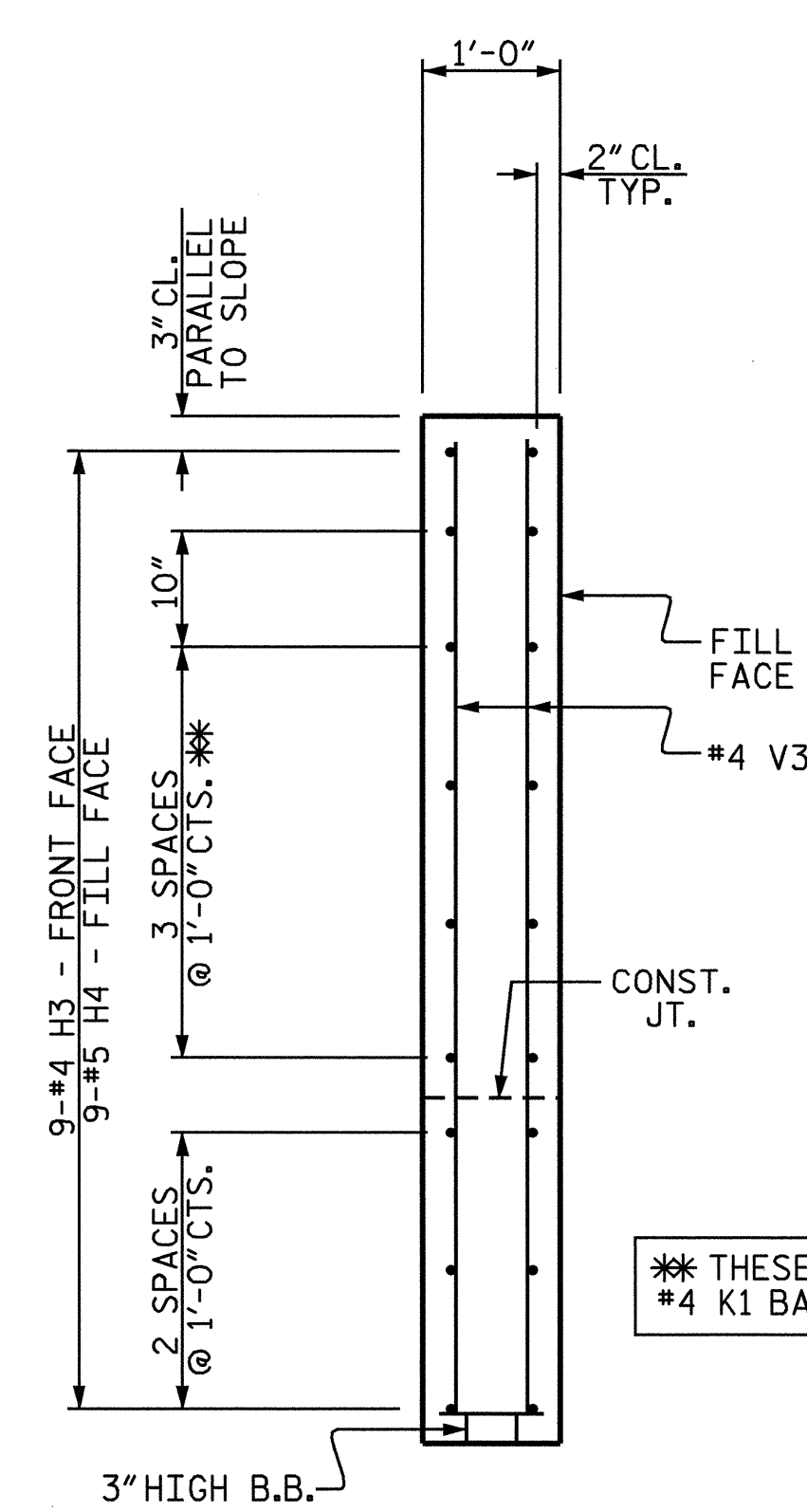
PLAN - W2



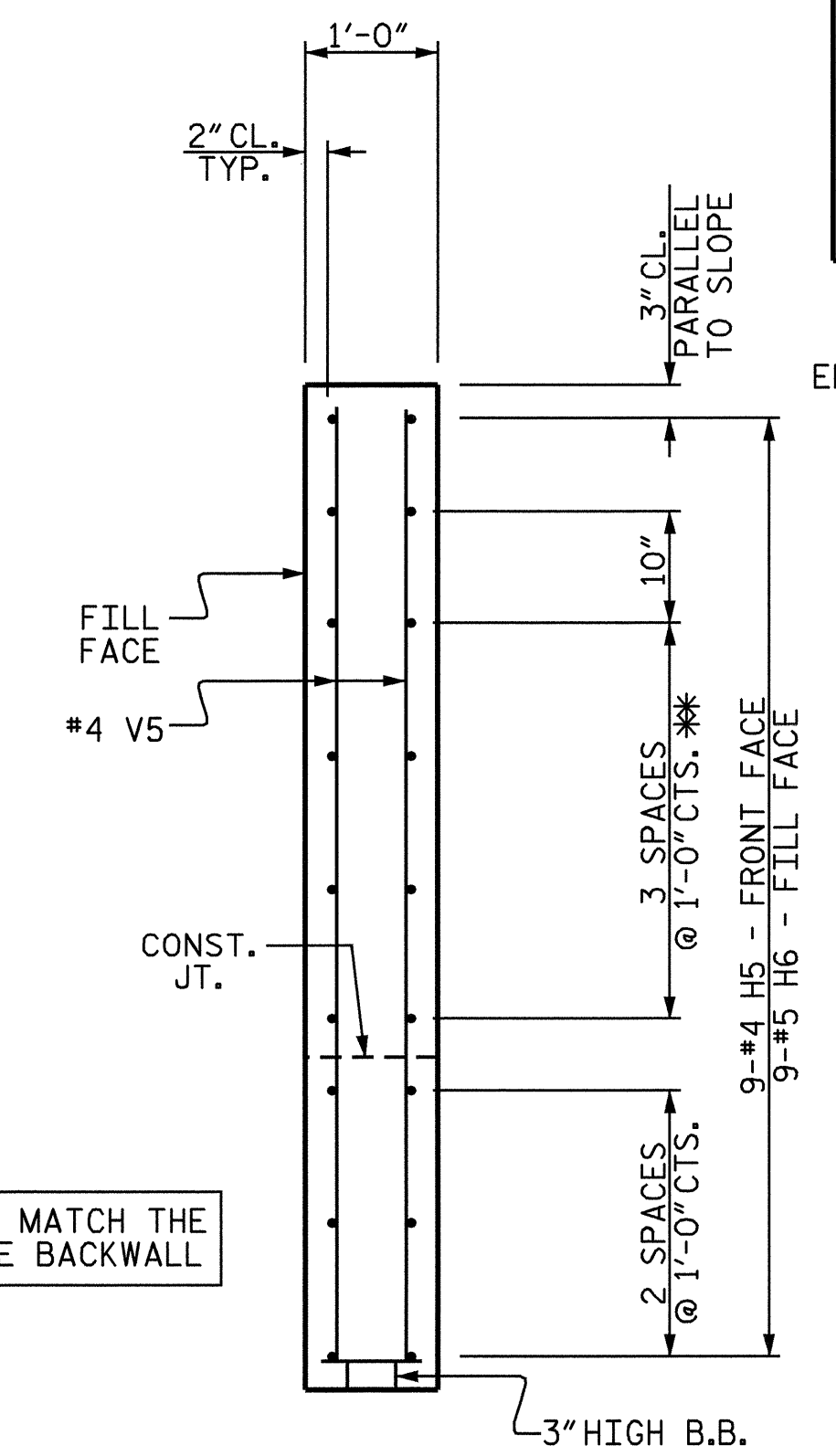
ELEVATION - W1



ELEVATION - W2



SECTION X-X



SECTION Y-Y

* THESE BARS TO MATCH THE #4 K1 BARS IN THE BACKWALL

PROJECT NO. B-3485
MACON COUNTY
 STATION: 15+52.00 -L-
 SHEET 2 OF 3

STATE OF NORTH CAROLINA DEPARTMENT OF TRANSPORTATION RALEIGH					
SUBSTRUCTURE END BENT #1					
REVISIONS					
NO.	BY:	DATE:	NO.	BY:	DATE:
1			3		
2			4		
					SHEET NO. S-21
					TOTAL SHEETS 32

