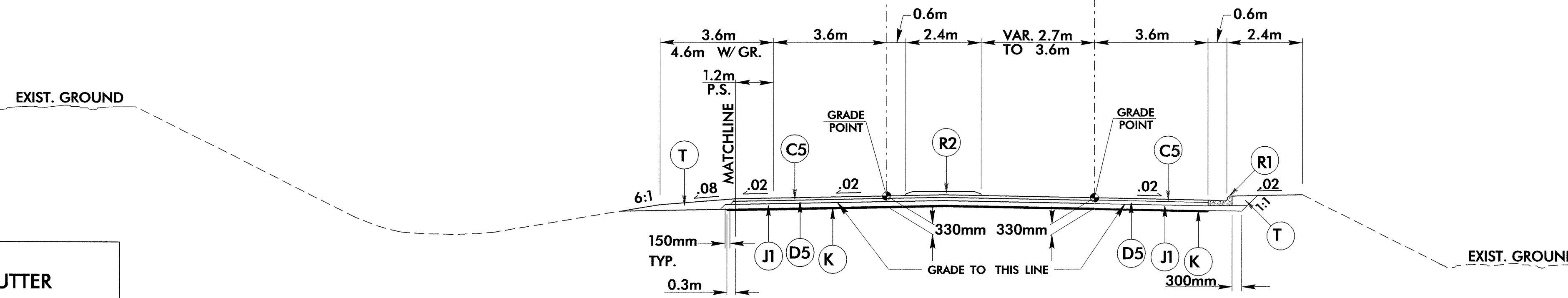


PROJECT REFERENCE NO. R-2206AA	SHEET NO. 2-D
ROADWAY DESIGN ENGINEER <i>FORWARD DAVID ALLEN</i> 10-8-04	PAVEMENT DESIGN ENGINEER <i>WEN-CHI CHEN</i> 10/18/04

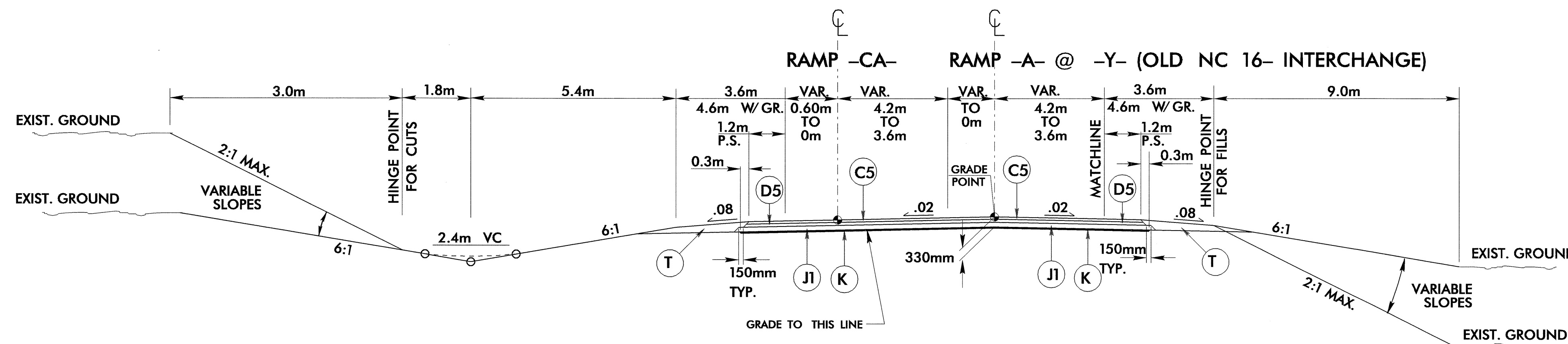
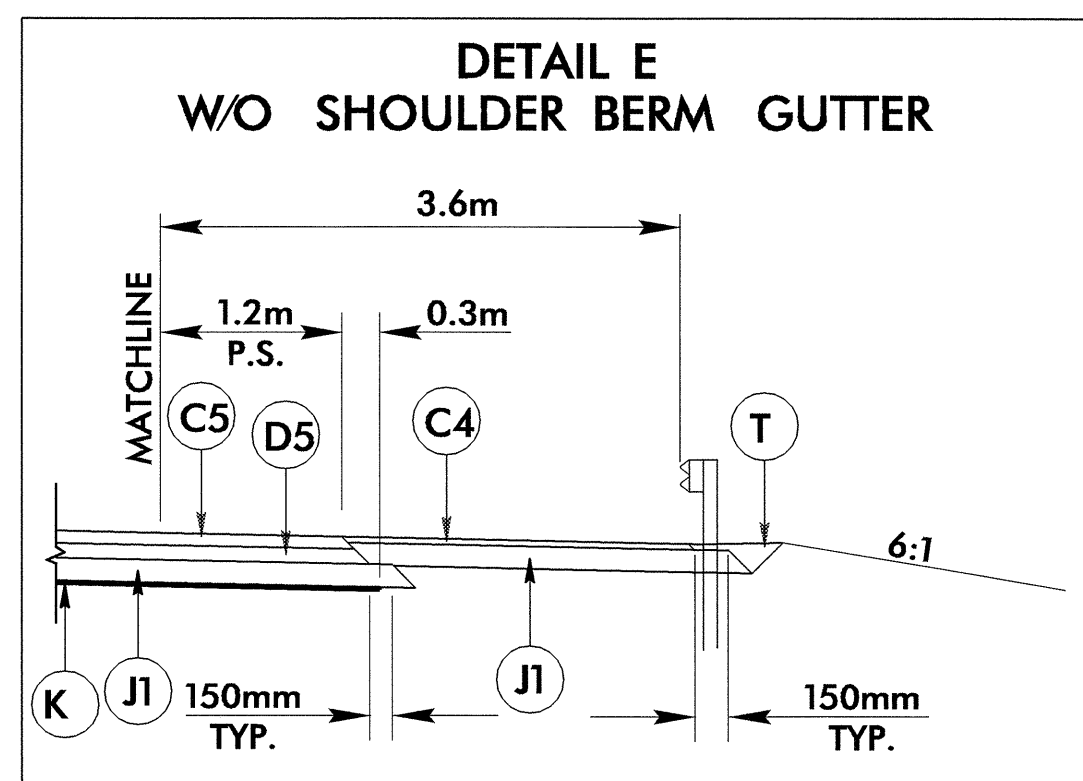
C4	40mm S9.5B
C5	80mm S9.5B
D5	100mm I19.0B
J1	150mm ABC
K	SUBBASE
R1	750mm CONCRETE CURB & GUTTER
R2	ISLAND
R4	SHOULDER BERM GUTTER
T	EARTH MATERIAL

RAMP -B- @ -Y7- (NC 73 INTERCHANGE) LOOP -B- @ -Y7- (NC 73 INTERCHANGE)



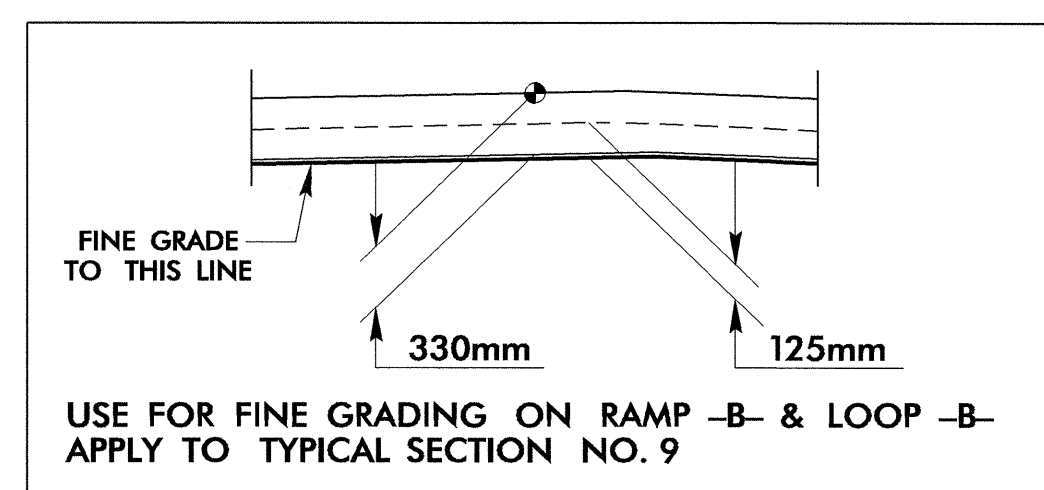
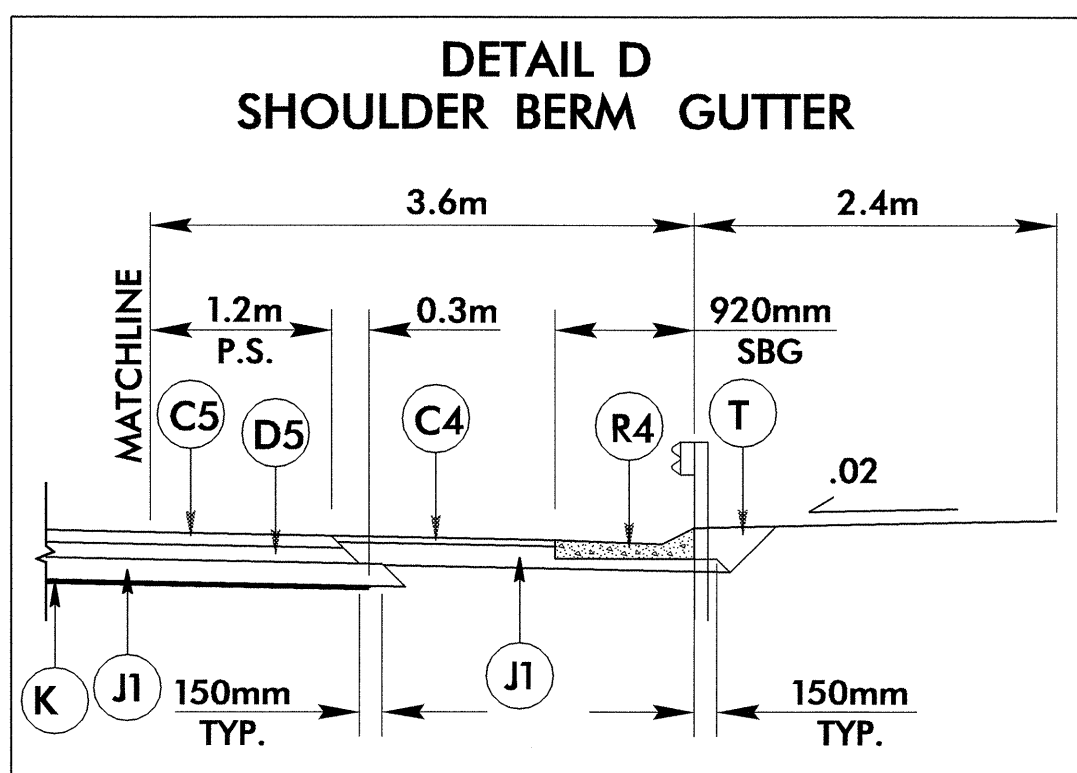
TYPICAL SECTION NO. 9

USE TYPICAL SECTION NO. 9 AS FOLLOWS:
 LOOP -B- STA. 2+98.940 TO STA. 4+44.334
 RAMP -B- STA. 5+20.381 TO STA. 6+65.775
 NOTE: REFER TO DETAILS D & E IN GUARDRAIL AND SHOULDER BERM GUTTER LOCATIONS



TYPICAL SECTION NO. 10

USE TYPICAL SECTION NO. 10 AS FOLLOWS:
 RAMP -A- STA. 5+84.072 TO STA. 6+20.000
 RAMP -CA- STA. 11+85.188 TO STA. 13+03.497



NOTE : USE SHOULDER BERM GUTTER (SEE DETAIL D AT MATCHLINE)
 AT RAMP -A- STA. 5+84.072 TO STA. 7+35.000
 NOTE: REFER TO DETAILS D & E IN GUARDRAIL AND SHOULDER BERM GUTTER LOCATIONS

08-OCT-2004 15:58 SEC:alhoun rd-09oce34