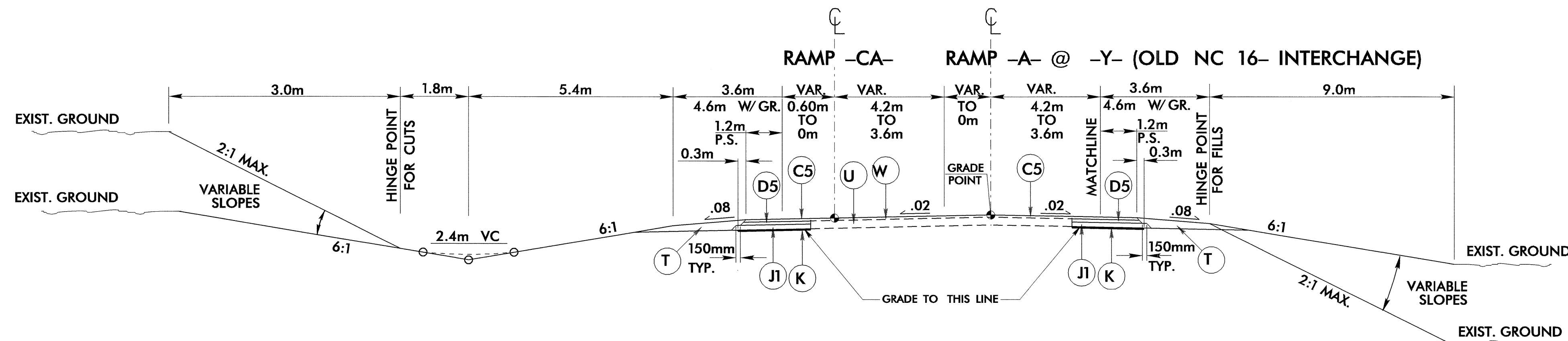


2/13/08

C4	40mm S9.5B
C5	80mm S9.5B
D5	100mm I19.0B
J1	150mm ABC
K	SUBBASE
R4	SHOULDER BERM GUTTER
T	EARTH MATERIAL
U	EXISTING PAVEMENT
W	WEDGING



PROJECT REFERENCE NO.	R-2206AA	SHEET NO.	2-E
ROADWAY DESIGN ENGINEER		PAVEMENT DESIGN ENGINEER	



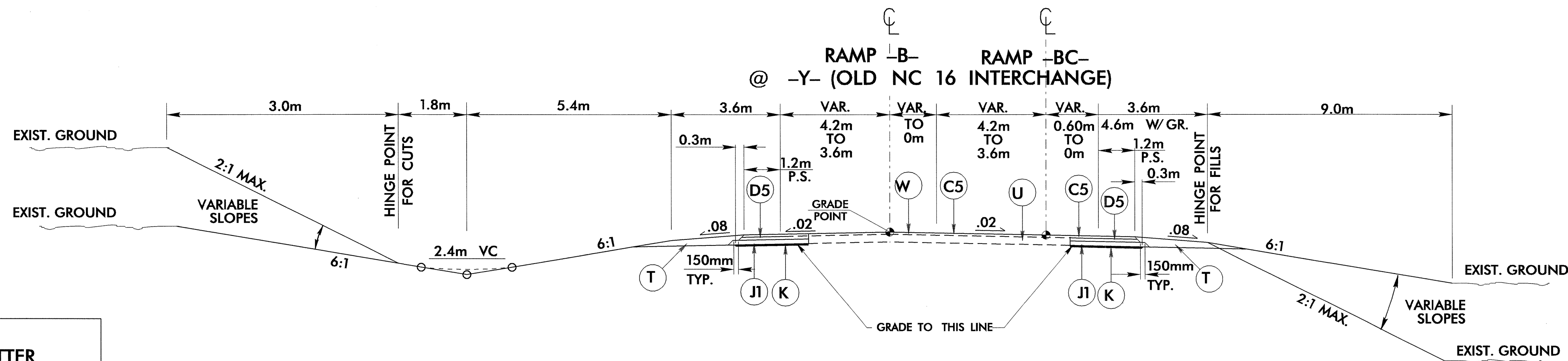
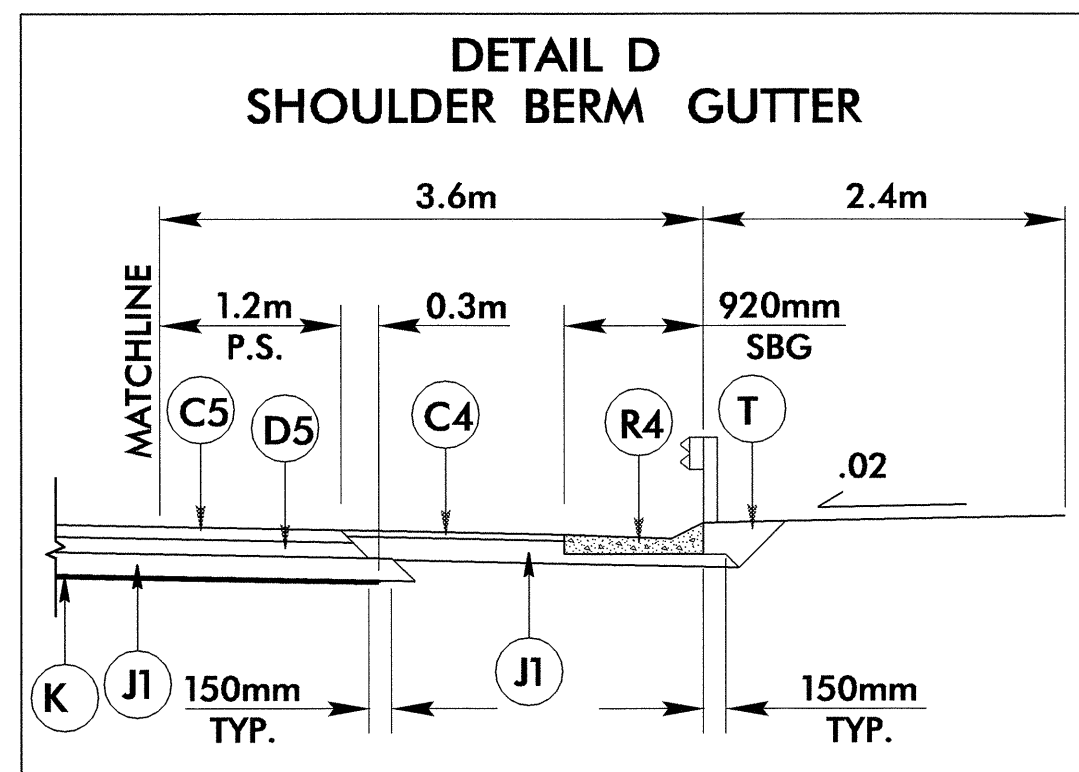
TYPICAL SECTION NO. 11

USE TYPICAL SECTION NO. 11 AS FOLLOWS:

RAMP -A- STA. 6+20.000 TO STA. 7+80.000
RAMP -CA- STA. 11+85.188 TO STA. 13+03.497

NOTE : USE SHOULDER BERM GUTTER (SEE DETAIL D AT MATCHLINE) AT RAMP -A- STA. 5+84.072 TO STA. 7+35.000

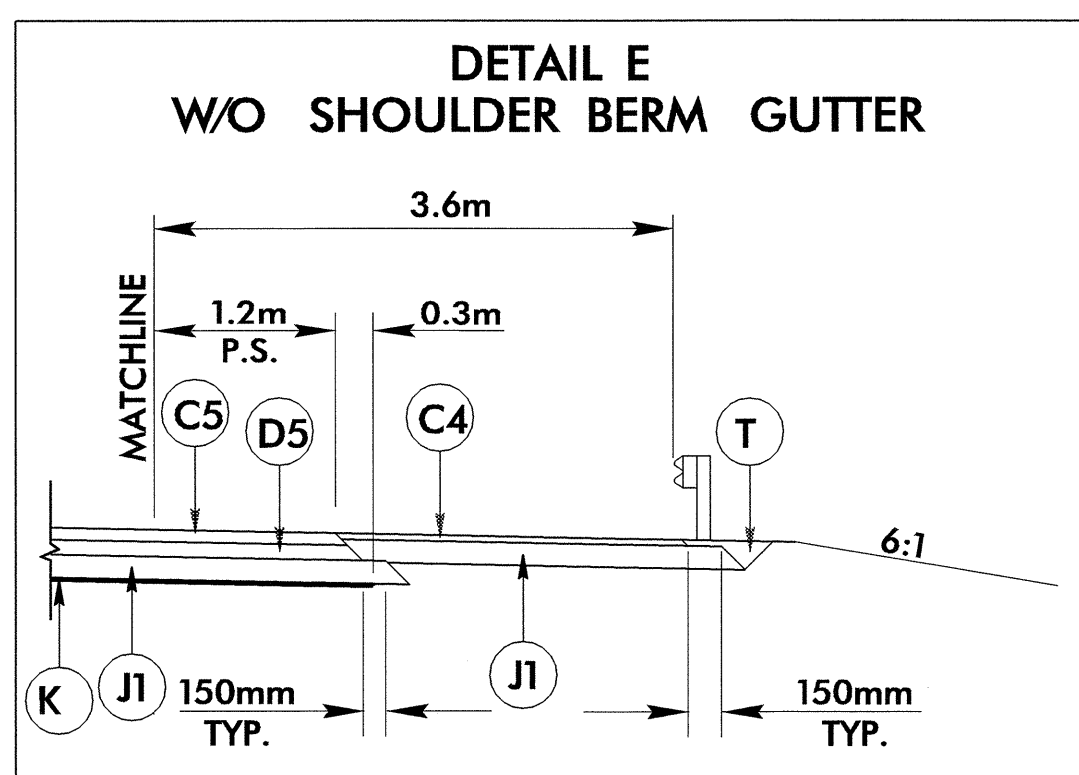
NOTE: REFER TO DETAILS D & E IN GUARDRAIL AND SHOULDER BERM GUTTER LOCATIONS



TYPICAL SECTION NO. 12

USE TYPICAL SECTION NO. 12 AS FOLLOWS:

RAMP -B- STA. 6+55.915 TO STA. 8+20.000
RAMP -BC- STA. 8+76.988 TO STA. 9+91.996



19-OCT-2004 09:50:22 2206aa-tp
SECalhoun