



05-APR-2004 11:53:16
M:\Special Details\esj\ward\stds\02\stds to Special Details\metric\85701\857d01m.dgn
erward - AT 05/11/2004

STATE OF
NORTH CAROLINA
DEPT. OF TRANSPORTATION
DIVISION OF HIGHWAYS
RALEIGH, N.C.

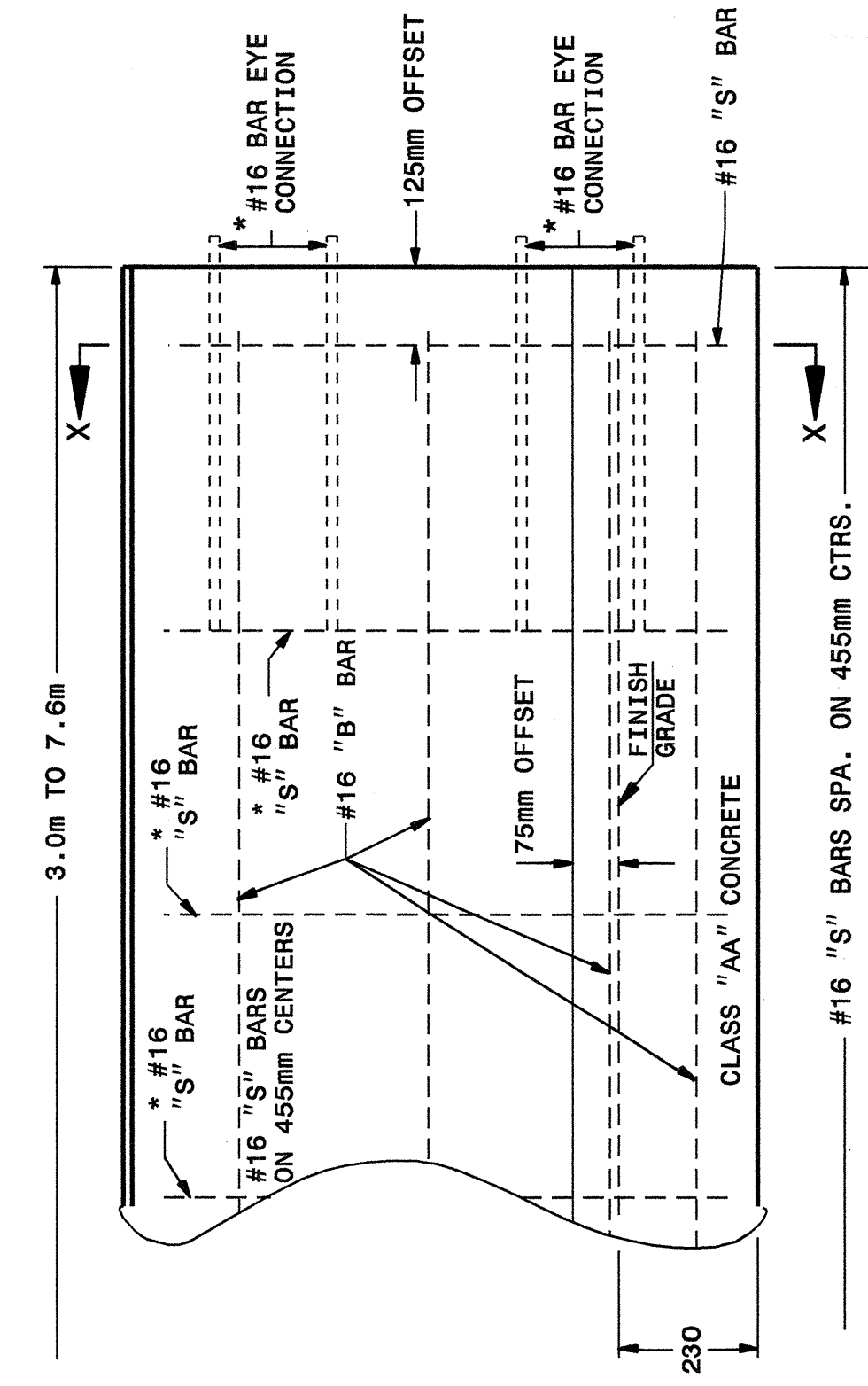
METRIC DETAIL DRAWING FOR
**PRECAST REINFORCED
CONCRETE BARRIER**
1.0m SINGLE FACED

SHEET 5 OF 8
857D01

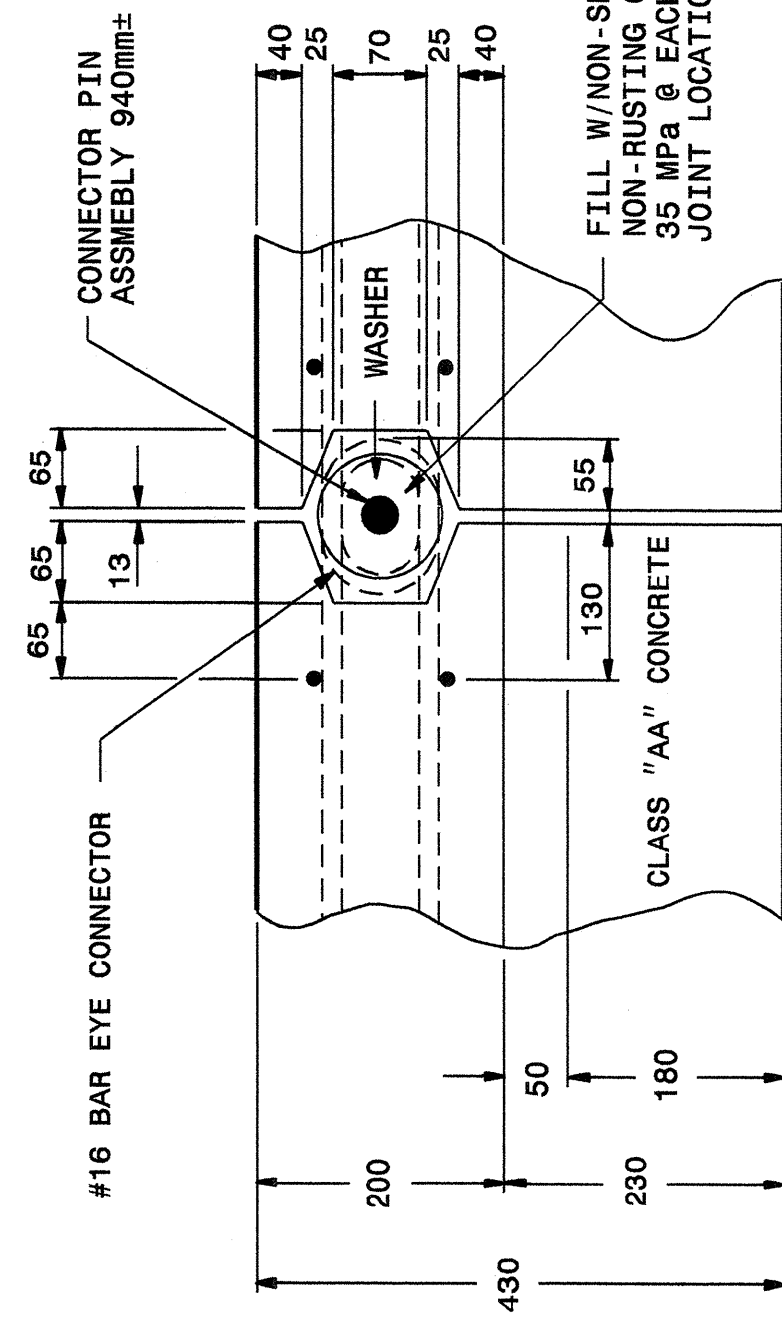
STATE OF
NORTH CAROLINA
DEPT. OF TRANSPORTATION
DIVISION OF HIGHWAYS
RALEIGH, N.C.

METRIC DETAIL DRAWING FOR
**PRECAST REINFORCED
CONCRETE BARRIER**
1.0m SINGLE FACED

SHEET 5 OF 8
857D01

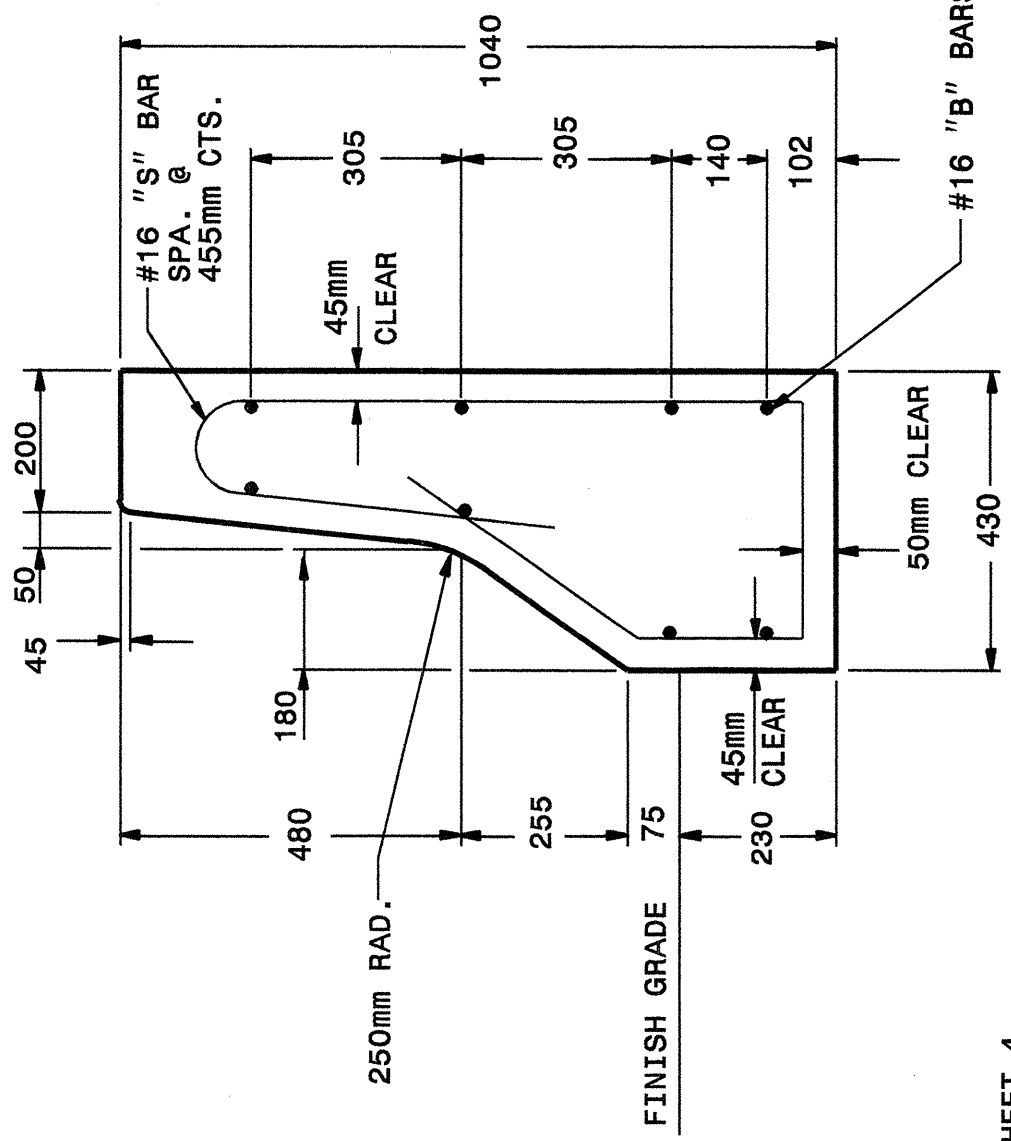


PART FRONT ELEVATION

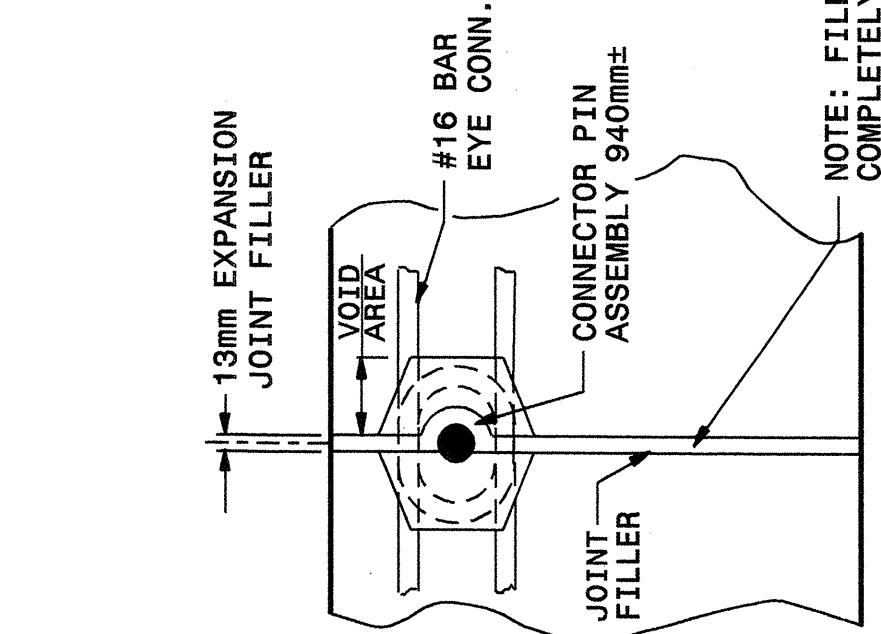


PLAN OF BONDED CONNECTION OF PRECAST UNIT

Note:
This drawing is dimensioned in millimeters unless otherwise depicted within the drawing.



**DETAIL X-X
CROSS SECTIONAL VIEW**



JOINT FILLER DETAIL

STATE OF
NORTH CAROLINA
DEPT. OF TRANSPORTATION
DIVISION OF HIGHWAYS
RALEIGH, N.C.

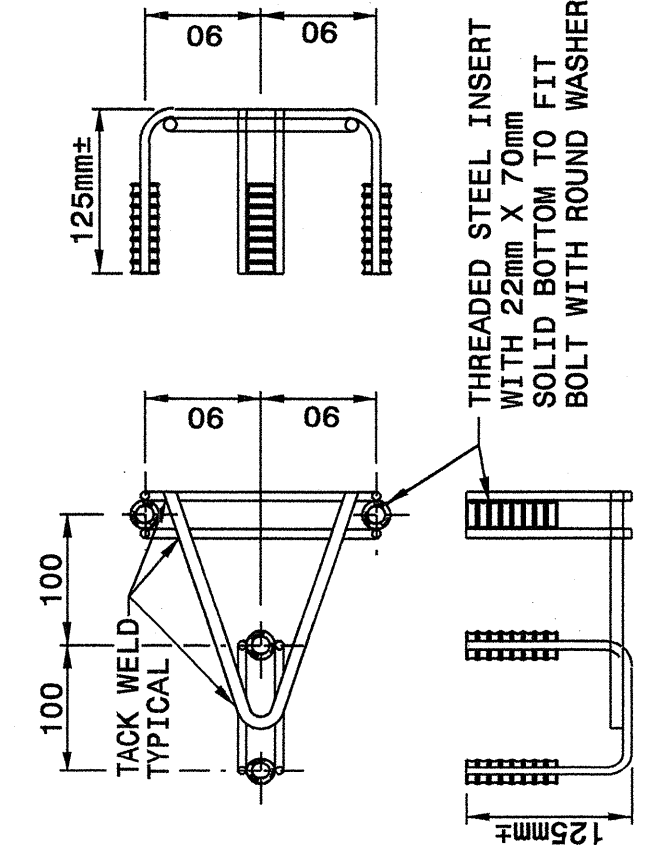
METRIC DETAIL DRAWING FOR
**PRECAST REINFORCED
CONCRETE BARRIER**
1.0m SINGLE FACED

SHEET 6 OF 8
857D01

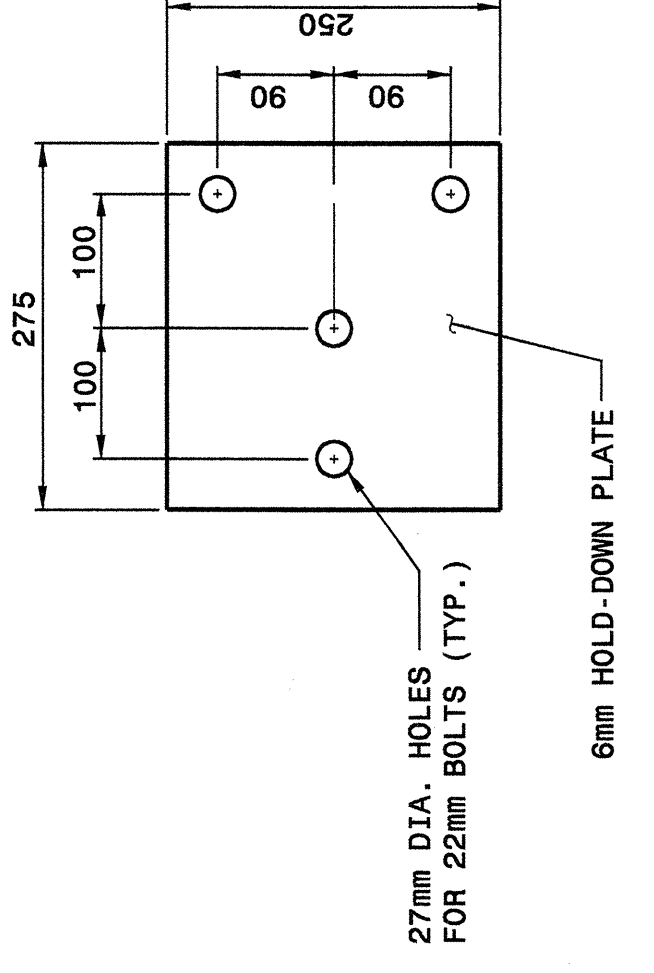
STATE OF
NORTH CAROLINA
DEPT. OF TRANSPORTATION
DIVISION OF HIGHWAYS
RALEIGH, N.C.

METRIC DETAIL DRAWING FOR
**PRECAST REINFORCED
CONCRETE BARRIER**
1.0m SINGLE FACED

SHEET 6 OF 8
857D01

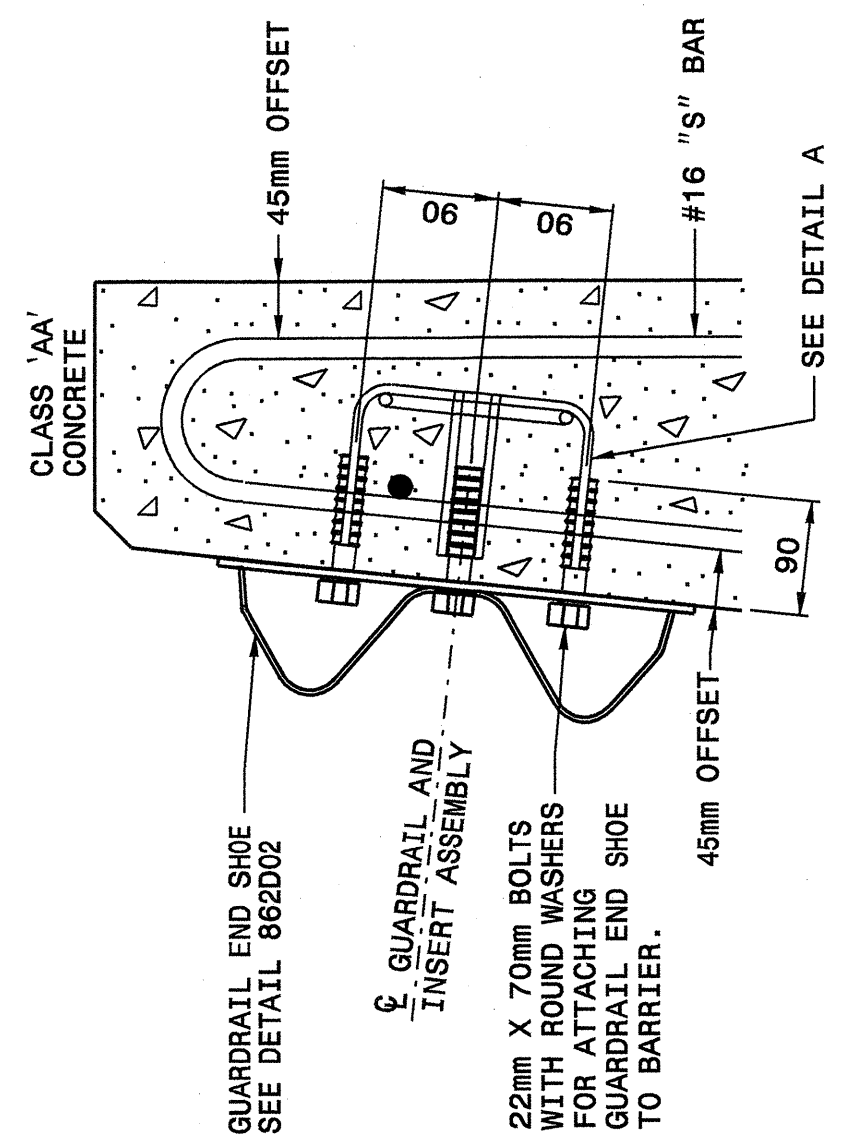


**DETAIL A
4 BOLT INSERT ASSEMBLY**



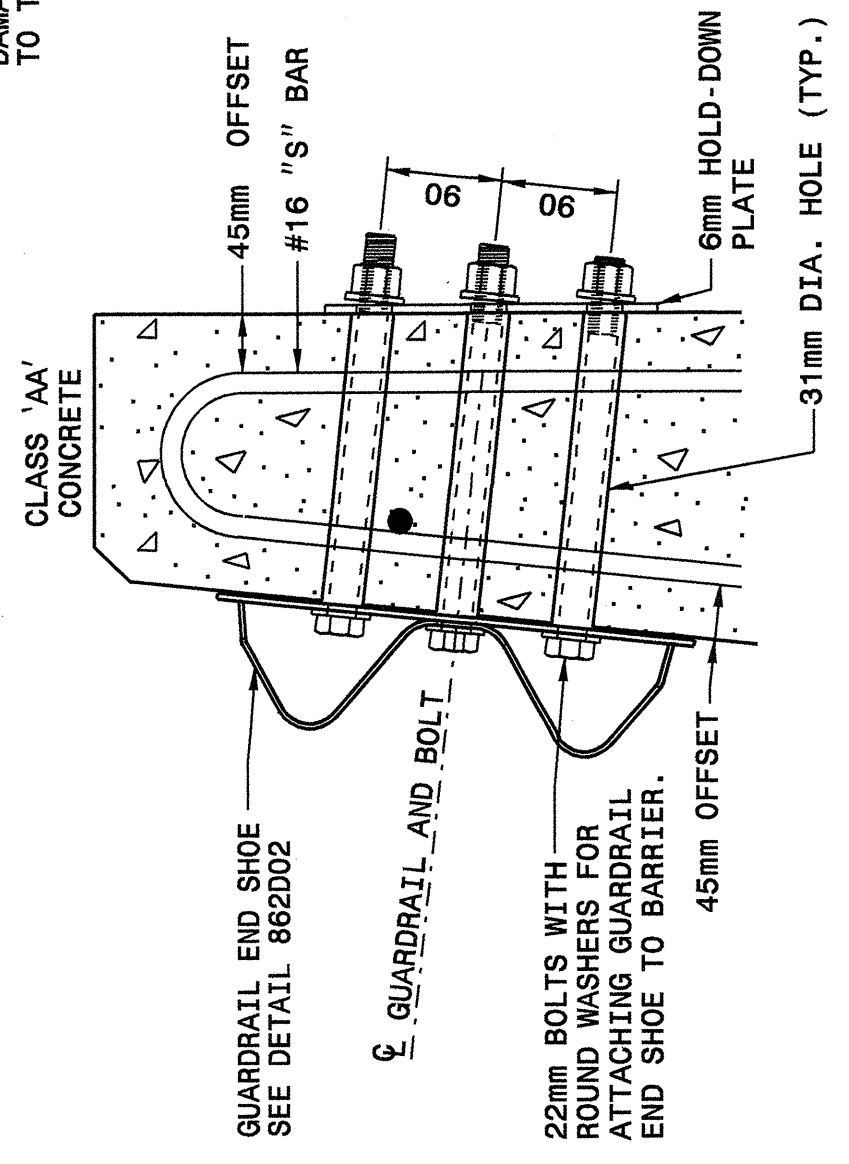
**DETAIL B
4 BOLT HOLD DOWN PLATE**

NOTES FOR 4 BOLT HOLD DOWN PLATE
THE GUARDRAIL ANCHOR ASSEMBLY SHALL CONSIST OF A 6mm HOLD DOWN PLATE AND 4 - 22mm DIA. BOLTS WITH NUTS AND WASHERS. THE HOLD-DOWN PLATE SHALL CONFORM TO AASHTO M270 GRADE 55 AFTER FABRICATION, AND THE BOLTS SHALL BE FABRICATED GALVANIZED IN ACCORDANCE WITH AASHTO #111. AFTER INSTALLATION, THE EXPOSED THREAD OF THE BOLT SHALL BE BURRED WITH A SHARP POINTED TOOL.
THE 31mm DIA. HOLES SHALL BE FORMED OR DRILLED WITH A CORE BIT. IMPACT TOOLS WILL NOT BE PERMITTED. ANY CONCRETE DAMAGED BY THIS WORK SHALL BE REPAIRED TO THE SATISFACTION OF THE ENGINEER.



**PART SECTION
OF BARRIER
THRU END SHOE SECTION AND
4 BOLT INSERT ASSEMBLY**

Note:
This drawing is dimensioned in millimeters unless otherwise depicted within the drawing.



**PART SECTION
OF BARRIER
THRU END SHOE SECTION AND
4 BOLT HOLD DOWN PLATE**

**DESIGN SERVICES UNIT
STANDARDS AND SPECIAL DESIGN**
Office 919-250-4128 FAX 919-250-4119

SEE PLATE FOR TITLE

ORIGINAL BY: 2002 STD.857.01 DATE:
MODIFIED BY: E.E. WARD DATE: 4-07-04
CHECKED BY: C.B. [Signature] DATE: 4-12-04
FILE SPEC.: \usr\stds\02stdetail\metric\85701\857d01m.dgn

