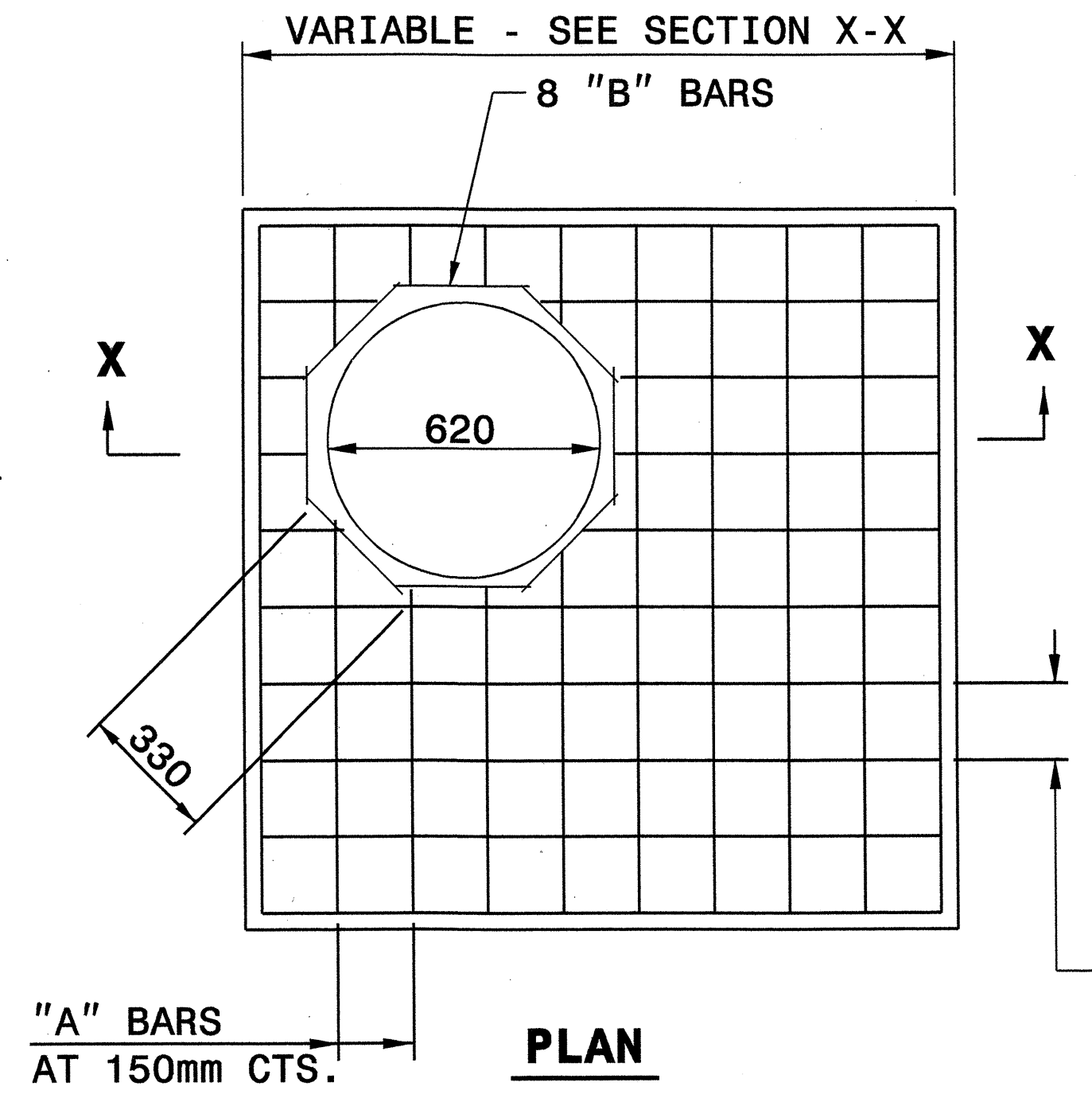
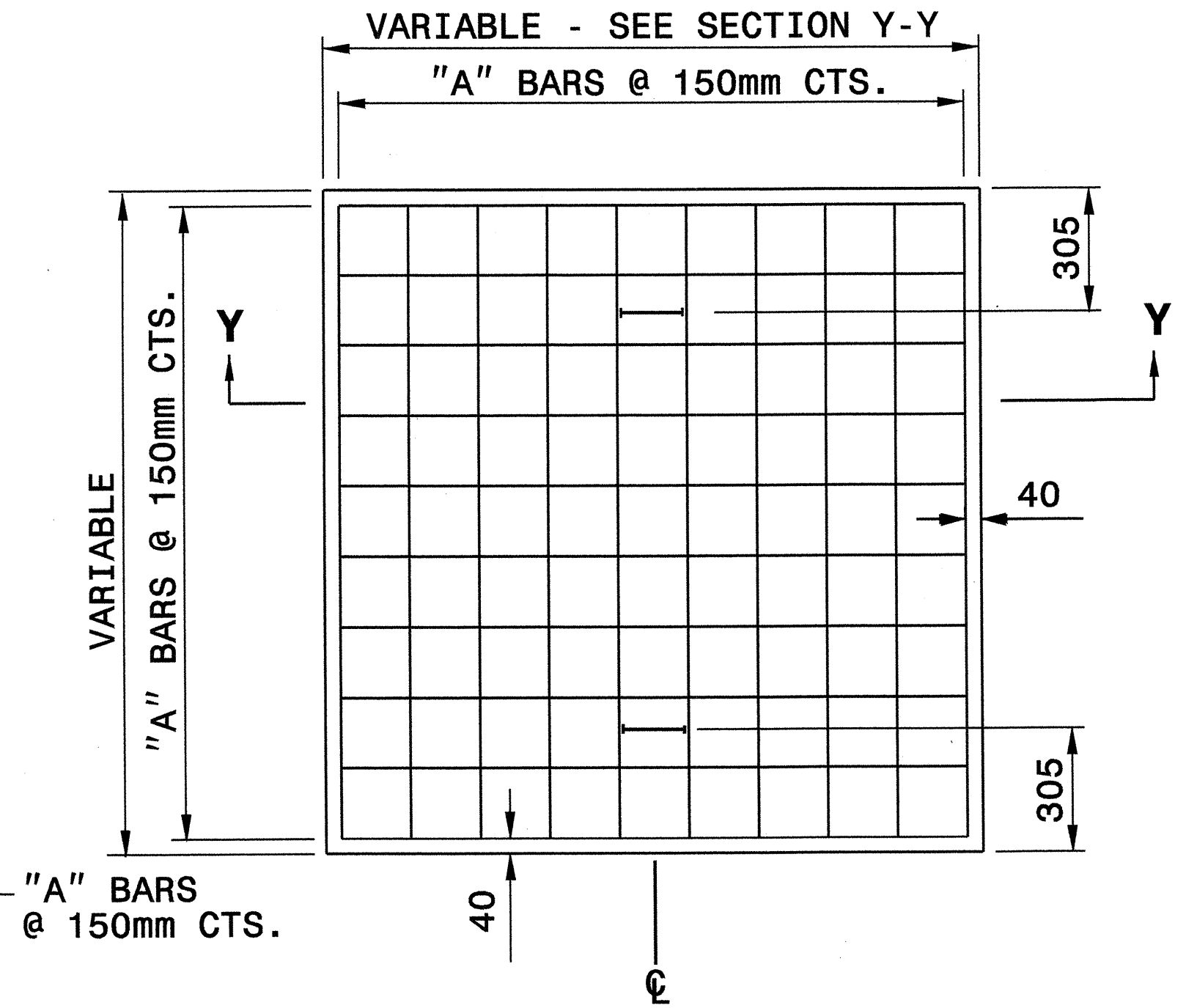


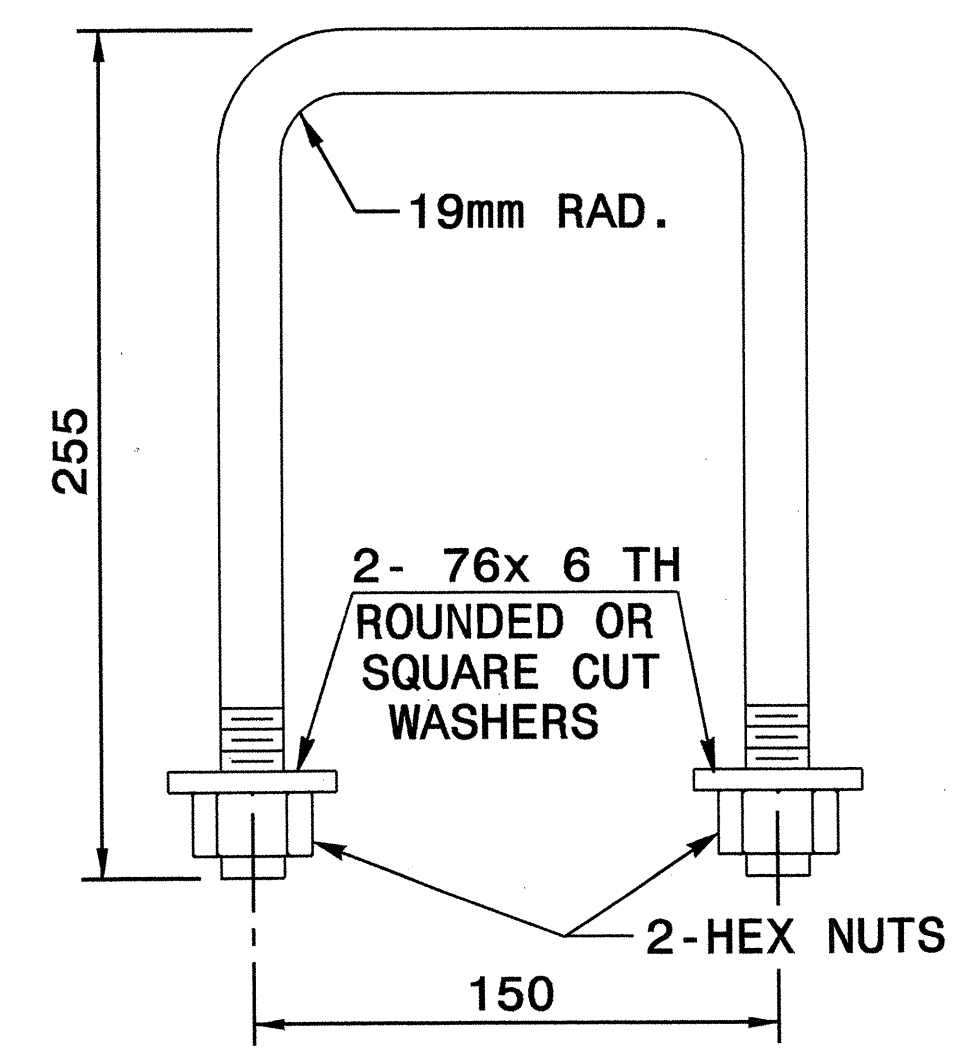
PARTIAL SECTION



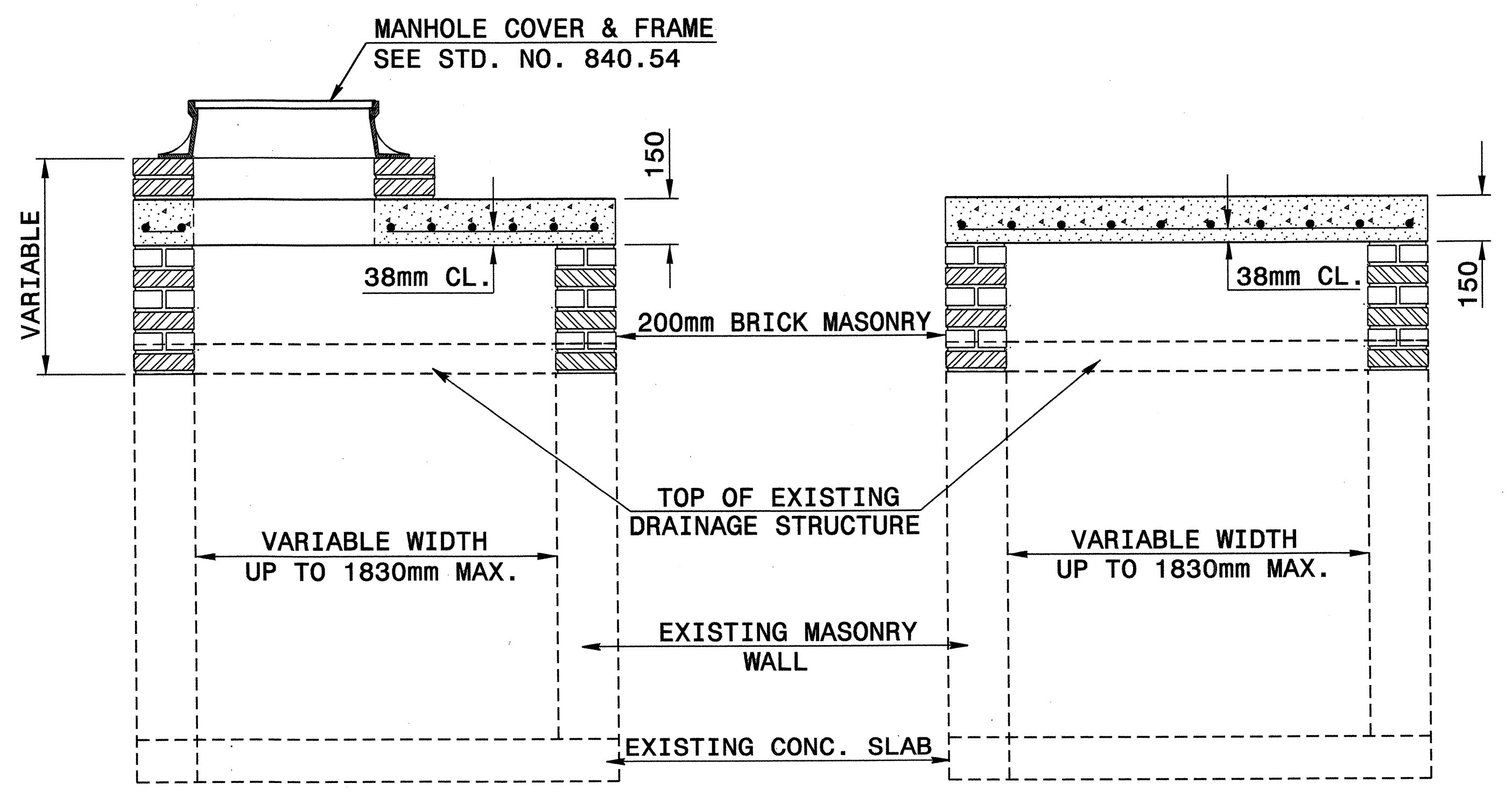
PLAN



PLAN



DETAIL OF HANDLE



SECTION X-X

SECTION Y-Y

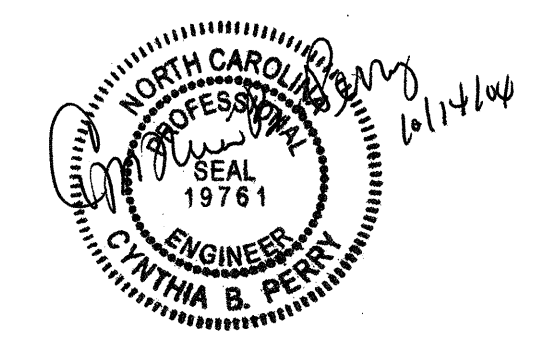
GENERAL NOTES:

CONSTRUCT IN ACCORDANCE WITH SECTION 859 OF THE STANDARD SPECIFICATIONS.
 THE DIMENSIONS FOR THE EXISTING BOXES ARE APPROXIMATE AND MAY VARY SLIGHTLY.
 DETAIL INTENDED FOR NON-TRAFFIC BEARING DRAINAGE STRUCTURES.

BILL OF MATERIALS

REINFORCING STEEL				
CODE	SIZE	QTY.	LENGTH	REINF. STEEL kgs.
A	#16	20	1370	45.52
B	#16	8	330	4.10
TOTAL				49.62 *
MASONRY				m ³
TOP SLAB CONCRETE CLASS "B"				.3305 *
BRICK MASONRY PER m HT (MIN)				1.7651

*** NOTE:**
 QUANTITIES BASED ON 1070mm X 1070mm DRAINAGE STRUCTURE. ADJUST QUANTITIES FOR LARGER STRUCTURES AND MANHOLE CONSTRUCTION.



**DESIGN SERVICES UNIT
 STANDARDS AND SPECIAL DESIGN**
 Office 919-250-4128 FAX 919-250-4119

**DETAIL TO CONVERT EXISTING
 DROP INLET OR CATCH BASIN
 TO JUNCTION BOX
 (MANHOLE OPTIONAL)**

ORIGINAL BY: T.S.S. DATE: NOV 1997
 MODIFIED BY: T.S.S. DATE: FEB 2000
 CHECKED BY: *Paul S. Hunt* DATE: 02/04
 FILE SPEC.: ds74:usr/details/metric/stand/boxtojb.dgn

30-JUL-2004 09:23
 W:\sc\sc\Details\metric\stand\boxtojb.dgn
 ericward AT 05212260