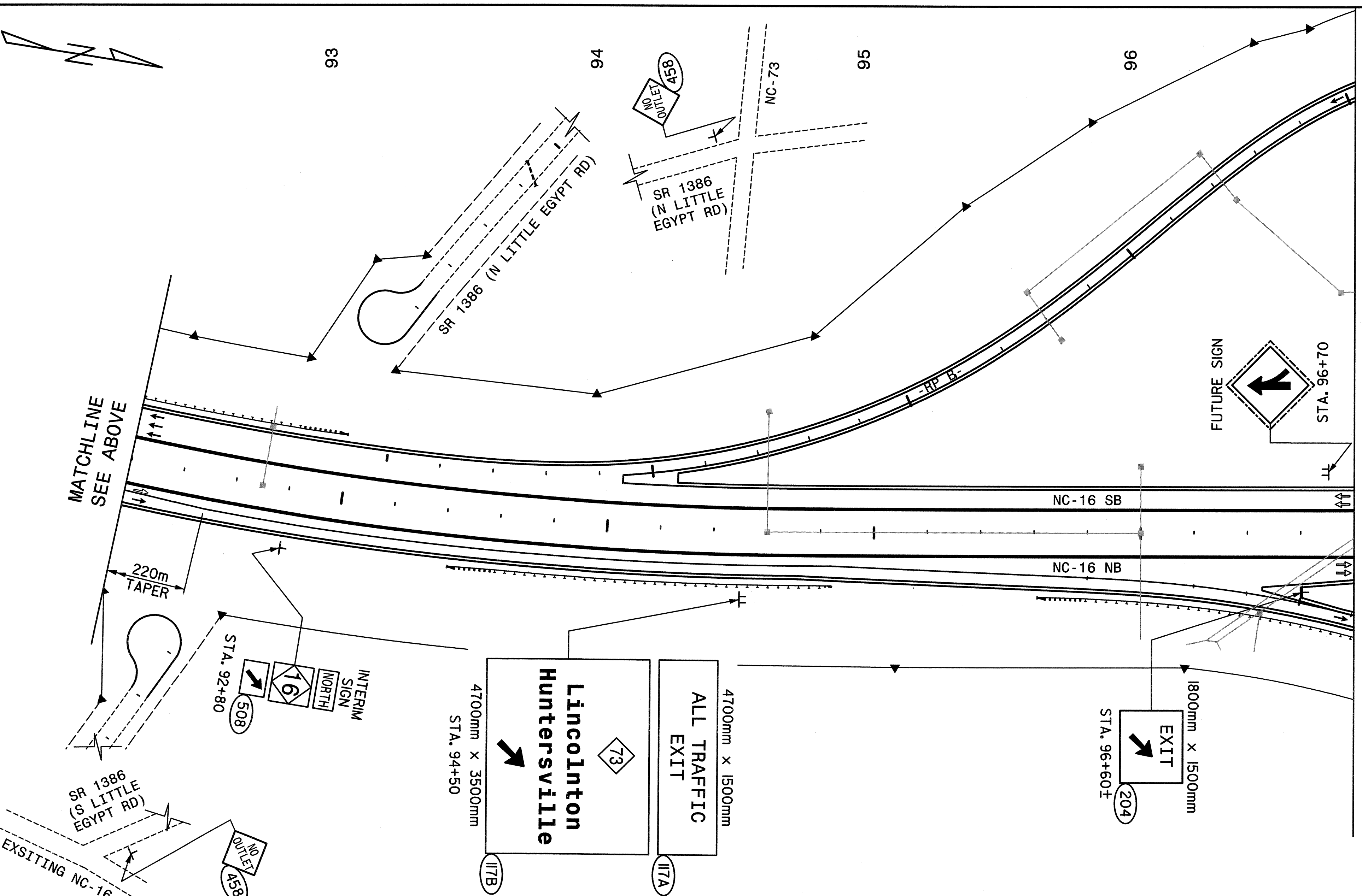
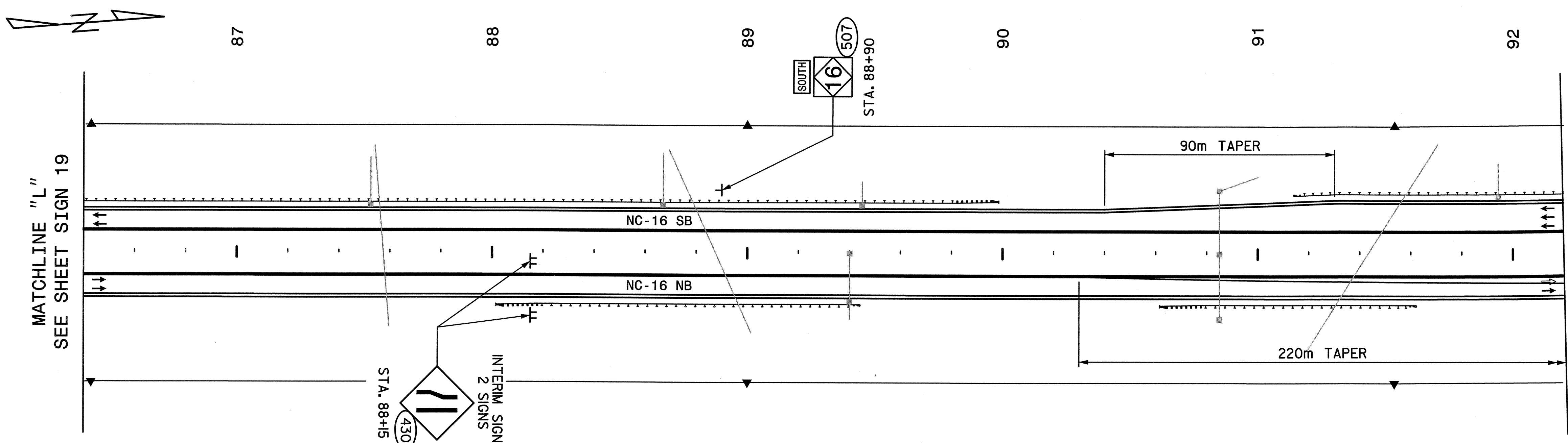
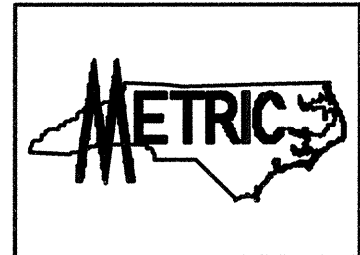


|                   |             |           |             |
|-------------------|-------------|-----------|-------------|
| STATE             | PROJECT NO. | SHEET NO. | TOTAL SHTS. |
| N.C.              | R-2206AA    | SIGN 20   |             |
| F. A. PROJECT NO. |             |           |             |
| PROJECT ID. NO.   |             |           |             |



SIGNS FURNISHED BY STATE

**HNTB** HNTB NORTH CAROLINA, P.C.  
343 E. Six Forks Road, Suite 200  
Raleigh, North Carolina 27609

**NC-16 South of Denver, NC  
EXISTING AND PROPOSED SIGNS  
STA. 86+40 TO STA. 96+80 -L-**

|           |         |  |           |
|-----------|---------|--|-----------|
| SCALE     | NONE    | N. C. DEPARTMENT OF<br>TRANSPORTATION<br>DIVISION OF HIGHWAYS<br>TRAFFIC ENGINEERING<br>BRANCH | REVISIONS |
| DATE      | 11/2003 |  |           |
| DWG. BY   | KHI     |  |           |
| DESIGN BY | KHI     |  |           |
| APPROVED  | CAJ     |  |           |

