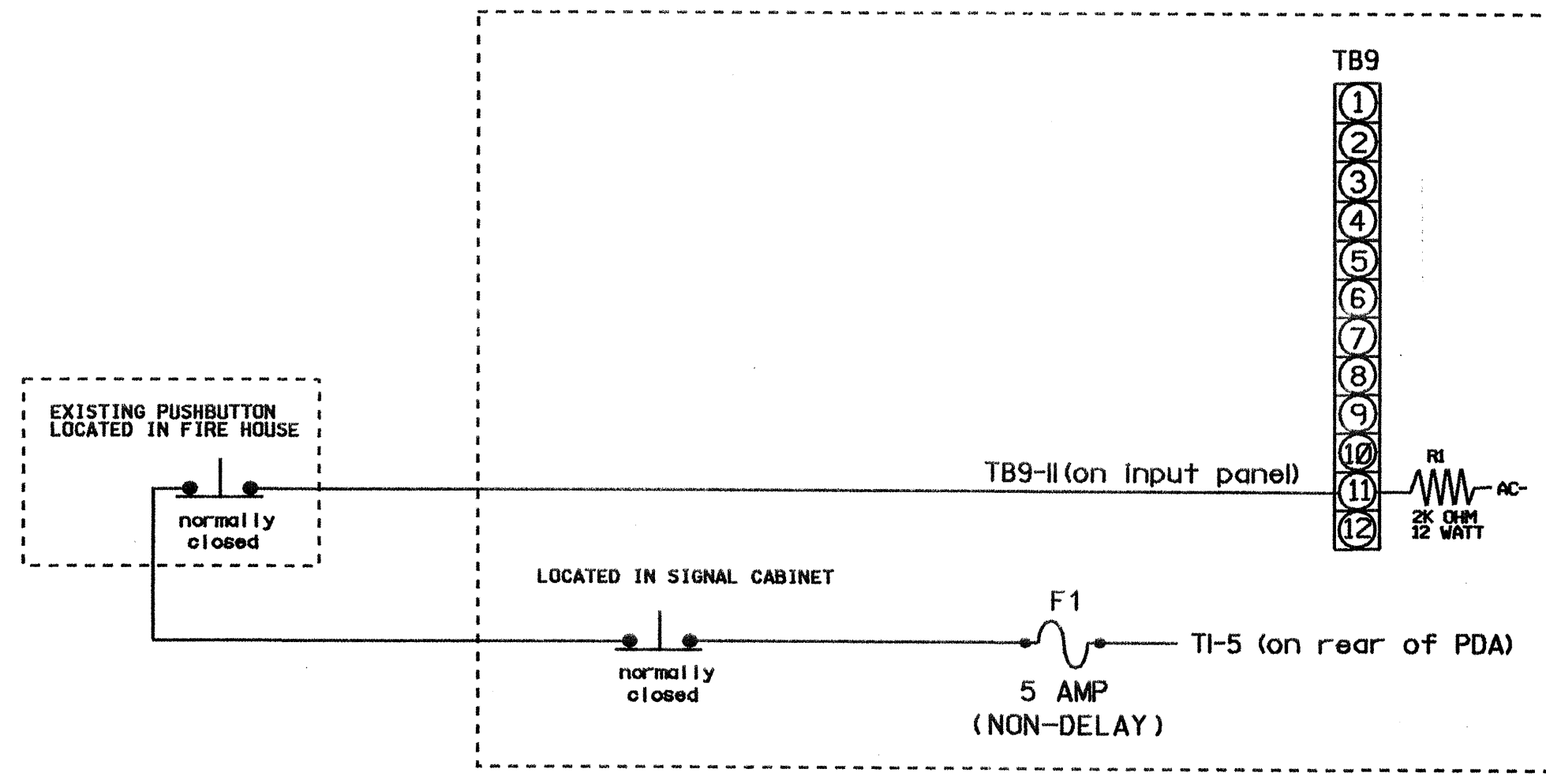


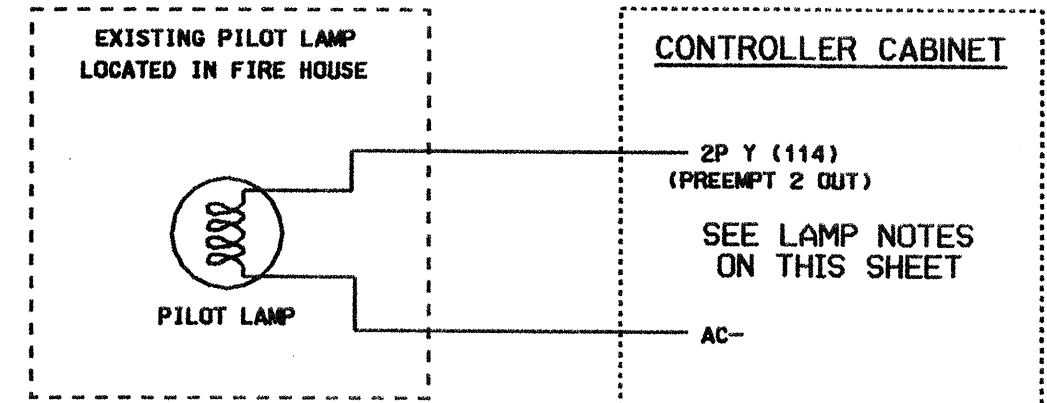
EMERGENCY VEH. PREEMPTION PUSHBUTTON AND INDICATOR LAMP WIRING DETAIL

(wire push-button and lamp as shown below)



IMPORTANT!

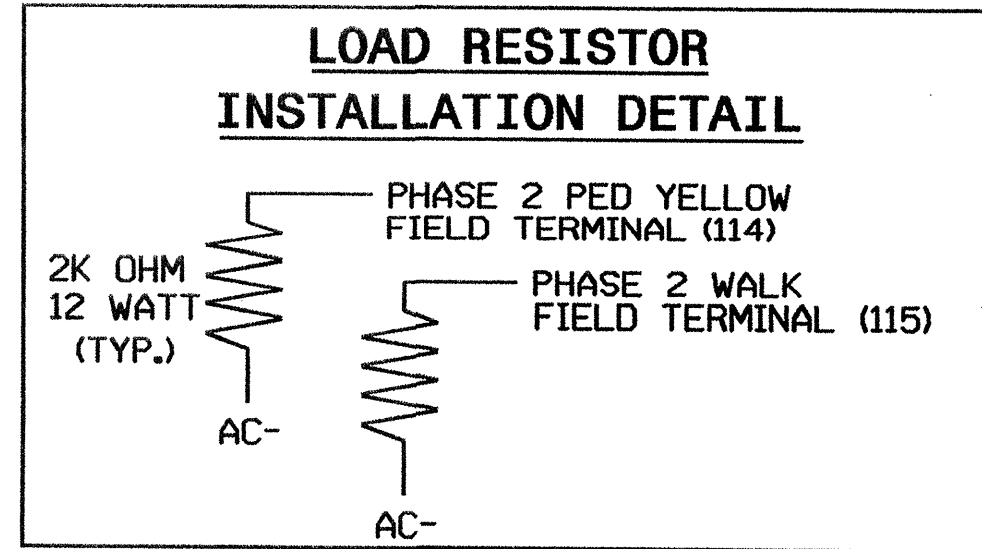
1. MAKE SURE AC ISOLATOR INSERTED IN SLOT J14L IS SET FOR INVERTED INPUT.
2. TERMINAL TB9-12B (ON INPUT PANEL) SHALL BE CONNECTED TO AC NEUTRAL (JUMPER MAY NEED TO BE ADDED).



LAMP NOTES

IN ORDER FOR THE PILOT LAMP IN THE FIRE HOUSE TO FUNCTION, MAKE THE FOLLOWING PROGRAMMING CHANGES TO OUTPUT NO. 33.

1. CHANGE THE FUNCTION OF C1 PIN 35 TO BE AN OUTPUT FOR PREEMPT 2. THIS IS ACCOMPLISHED BY THE FOLLOWING:
 - A) FROM MAIN MENU SELECT 6 (OUTPUTS), THEN SELECT 1 (OUTPUT ASSIGNMENTS).
 - B) SCROLL TO C1 PIN 35, OUTPUT NO. 33. YOU WILL SEE THAT IT IS NOT ENABLED.
 - C) SCROLL DOWN TO PREEMPT AND INPUT 'YES'. YOU WILL THEN BE ASKED FOR A PREEMPT NO. ENTER A '2' HERE.
 - D) THE OUTPUT IS NOW ASSIGNED FOR PRE-2 OUTPUT.
2. IF TERMINAL 114 HAS A CONFLICT MONITOR WIRE CONNECTED, REMOVE, TAPE AND LABEL WIRE.
3. MAKE SURE LOAD RESISTORS ARE IN PLACE AS SHOWN IN LOAD RESISTOR INSTALLATION DETAIL.
4. INSERT LOADSWITCH FOR S2P.



EMERGENCY VEHICLE PREEMPTION PROGRAMMING DETAIL

(program controller as shown below)

FROM MAIN MENU PRESS 'A' (PREEMPTION), THEN '1' (STANDARD PREEMPTIONS). PRESS THE "NEXT" KEY TO ADVANCE TO PREEMPT 2.

PREEMPTION #2	INTERVAL/TIMING	SETTINGS (NEXT:1-10)	CLEAR/DWELL PHASES
1	255 0.0 0.0	X X	12345678910111213141516
2	0 0.0 0.0		
3	0 0.0 0.0		
4	0 0.0 0.0		
5	1 0.0 0.0	X X	

EXIT CALLS	OPTIONS
PRIORITY (Y/N TO SELECT)	MED
DELAY TIMER (0-255 SEC)	0
MIN GREEN BEFORE PRE (0= DEFAULT).....	4.0
PED CLEAR BEFORE PRE (0= DEFAULT).....	0
YELLOW CLEAR BEFORE PRE (0= DEFAULT).....	0.0
RED CLEAR BEFORE PRE (0= DEFAULT).....	0.0
DWELL MIN TIMER (0-255 SEC)	30
DWELL MAX TIMER (0=OFF,1-255MIN)	0
DWELL HOLD-OVER TIMER (0-255)	0
LATCH CALL?	Y
LINK TO NEXT PREEMPT?	N
ENABLE BACKUP PROTECTION?	Y
HOLD CLEAR 1 PHASES DURING DELAY?	N
FAST GREEN FLASH DWELL PHASES?	N
PED CLEARANCE THROUGH YELLOW?	N
INHIBIT OVERLAP GREEN EXTENSION?	N
SERVICE DURING SOFTWARE FLASH?	Y
REST IN RED DURING DWELL INTERVAL?	N
FLASH DWELL INTERVAL?	N
ALLOW PEDS IN DWELL INTERVAL?	N
RE-TIME DWELL INTERVAL?	Y
OVERLAPS:	ABCDEFGHIJKLMNOP
DWELL INT FLASH YELLOW	
OMIT OVERLAPS:	

THIS ELECTRICAL DETAIL IS FOR THE SIGNAL DESIGN: 12-1363
 DESIGNED: AUGUST 2004
 SEALED: 08/13/04
 REVISED:

SIGNAL UPGRADE - SHEET 2 OF 2

ELECTRICAL AND PROGRAMMING DETAILS FOR: Prepared in the Office of: 122 N. McDowell St., Raleigh, NC 27603	NC 73 AT SR 1394 (PILOT KNOB ROAD)		SEAL NORTH CAROLINA PROFESSIONAL ENGINEER SEAL 022013 GEORGE C. BROWN
	DIVISION 12 LINCOLN COUNTY N. CORNELIUS PLAN DATE: AUGUST 2004 PREPARED BY: JAMES PETERSON	REVIEWED BY: <i>R. Hester</i> REVIEWED BY:	

SIG. INVENTORY NO. 12-1363

23-AUG-2004 08:27
 U:\121363_xxxx.dgn
 J. Peterson