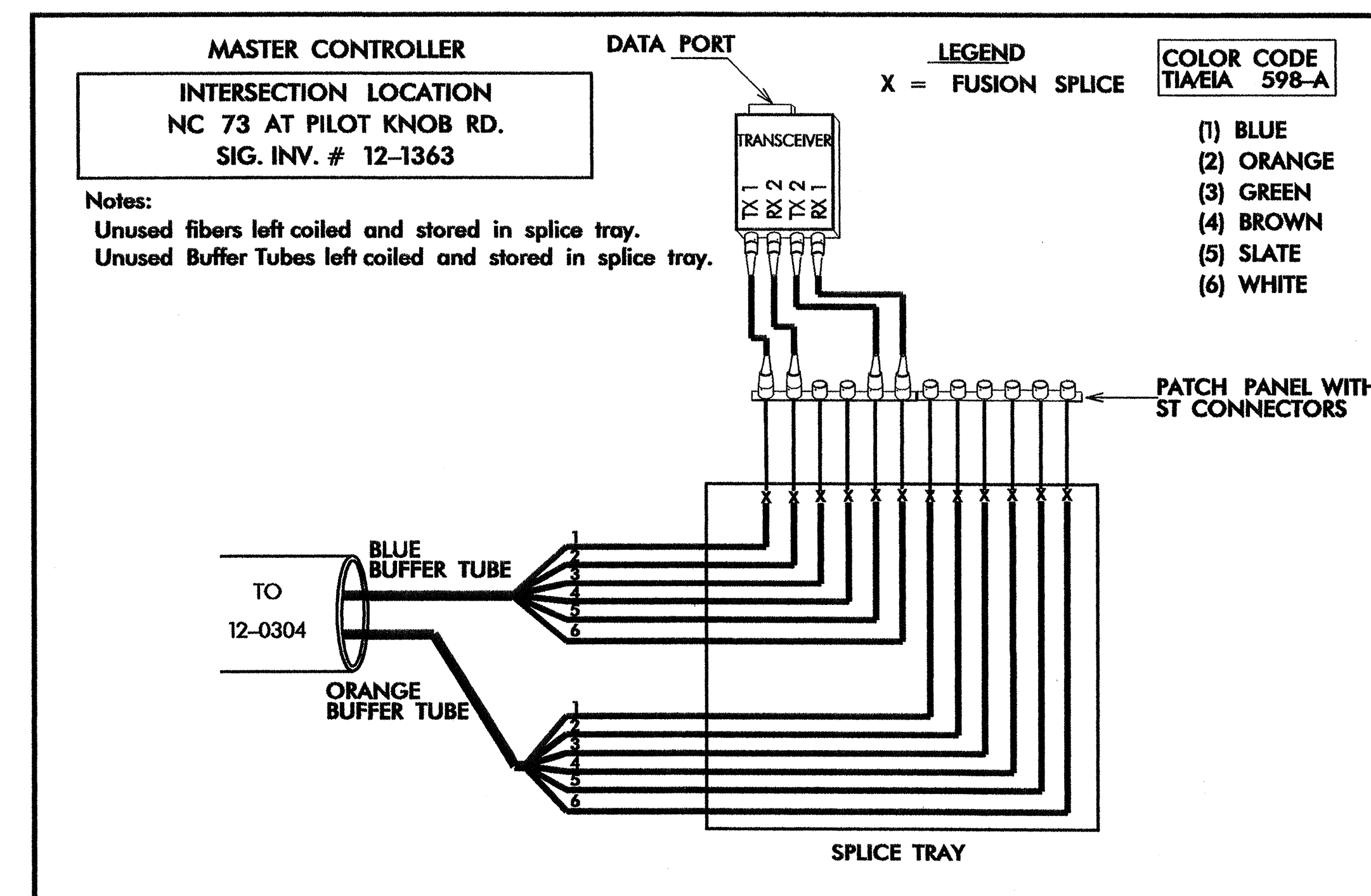
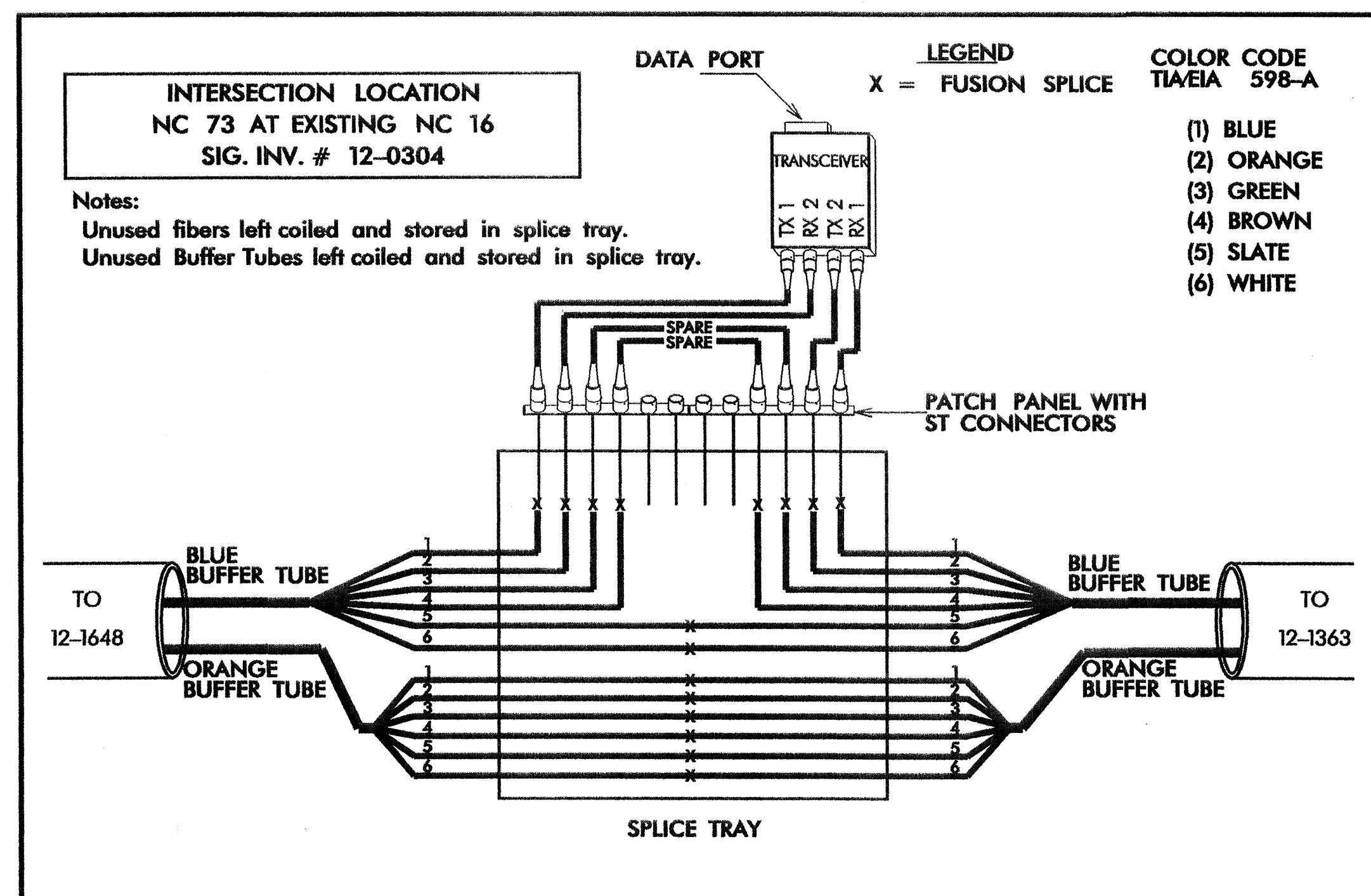
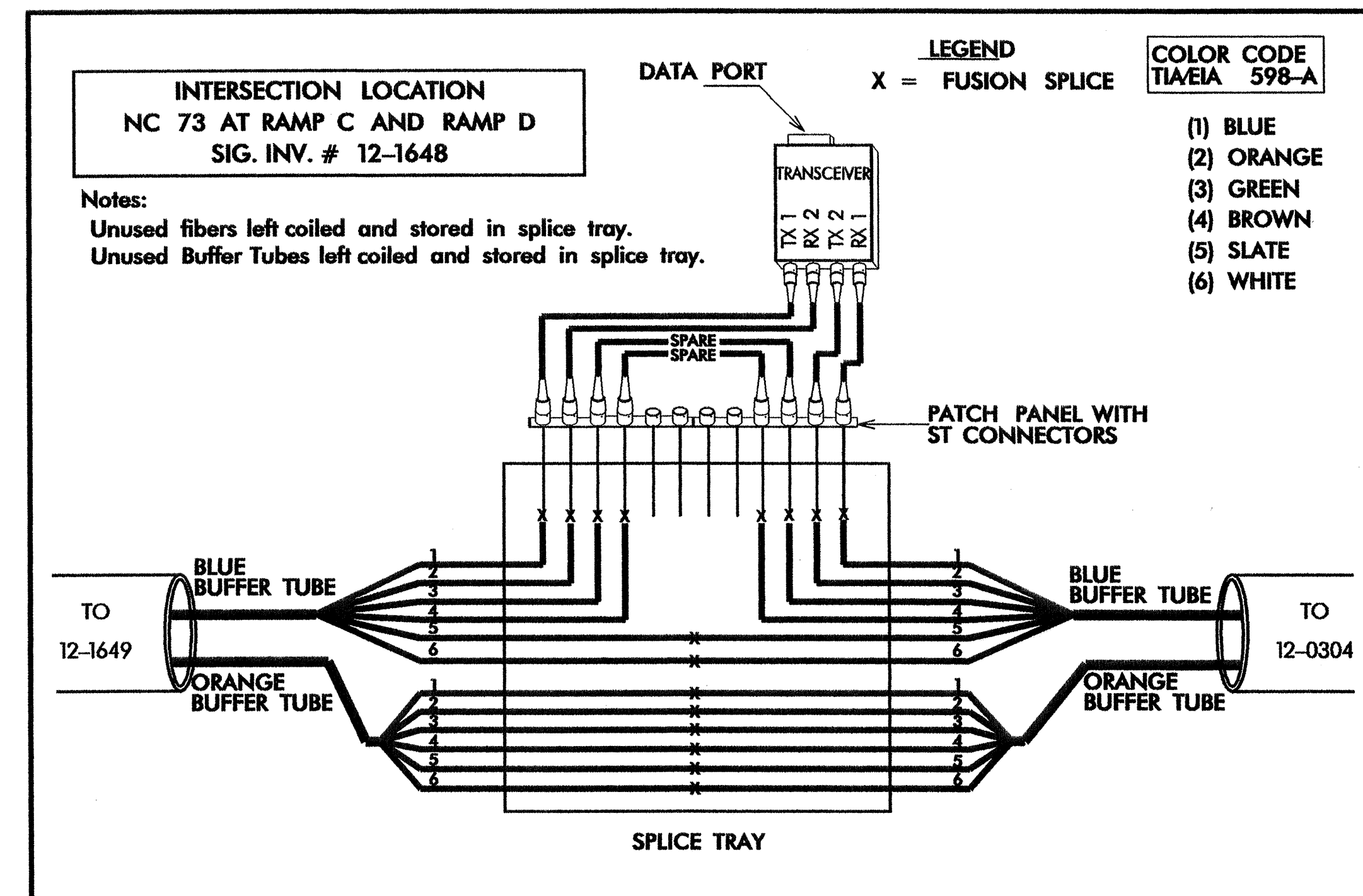
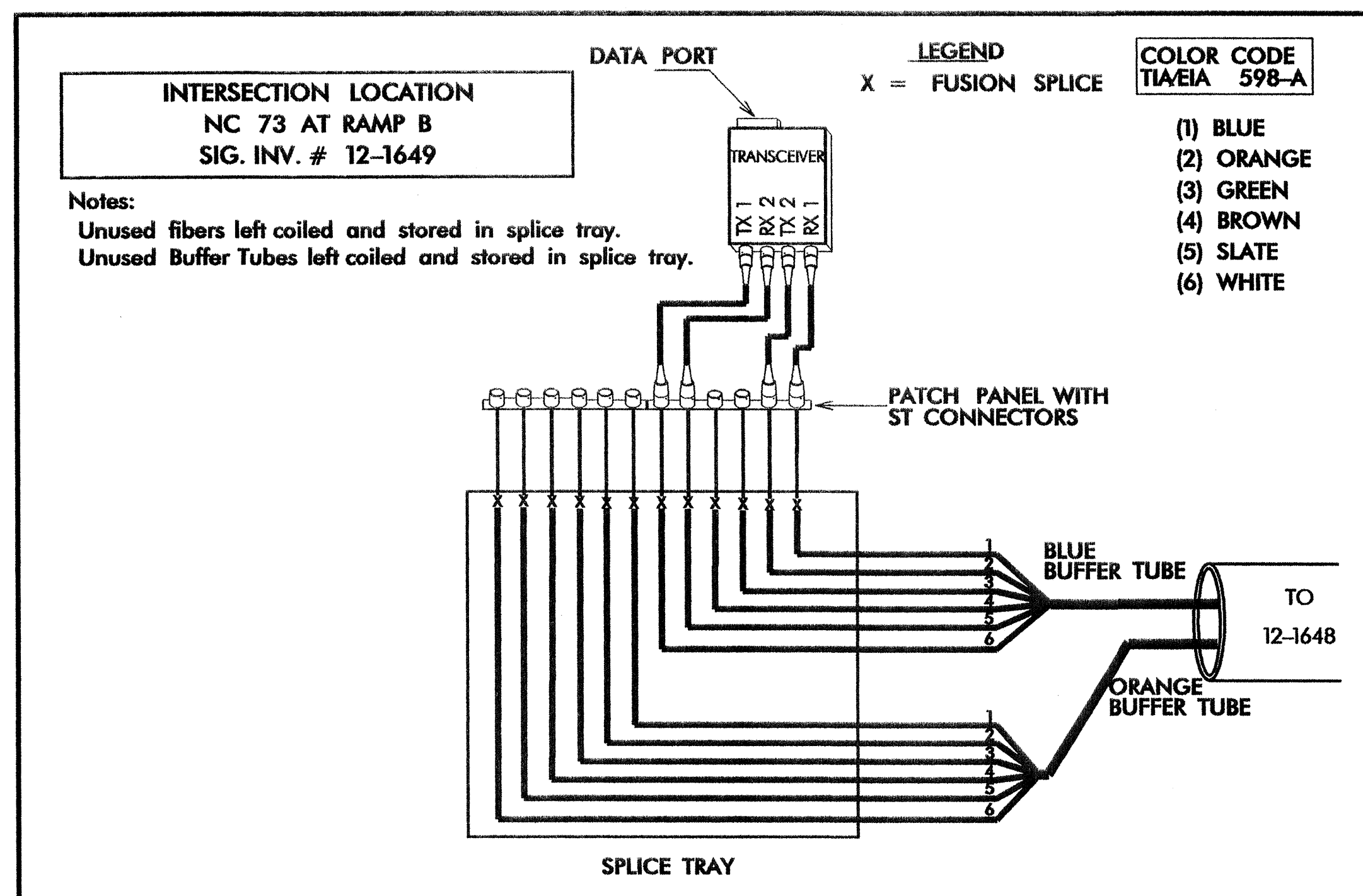
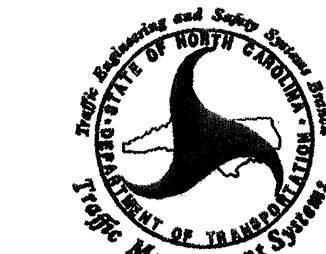


FIBER OPTIC CABLE




NOTE: FURNISH SELF-HEALING RING TYPE TRANSCEIVERS

TRANSCEIVER TERMINATION CONFIGURATIONS ARE GENERIC. CONTRACTOR IS RESPONSIBLE FOR DETERMINING \ ENSURING PROPER TERMINATIONS

Prepared in the Office of:

 NORTH CAROLINA DEPARTMENT OF TRANSPORTATION
 TRANSPORTATION MANAGEMENT SYSTEMS

SPLICE DETAIL

DIVISION 12 LINCOLN COUNTY H. OF LUCIA
 PLAN DATE: SEPTEMBER 2004 REVIEWED BY: PCL / INA
 PREPARED BY: ADRIAN CREECH REVIEWED BY: G. G. MURR, JR.
 REVISIONS INIT. DATE

SCALE 0


SEAL
 NORTH CAROLINA
 PROFESSIONAL ENGINEER
 SEAL 14543
 GENE G. MURR, JR.
 SIGNATURE DATE 9/20/04
 CADD Filename: