

STATE OF
NORTH CAROLINA
DEPT. OF TRANSPORTATION
DIVISION OF HIGHWAYS
RALEIGH, N.C.

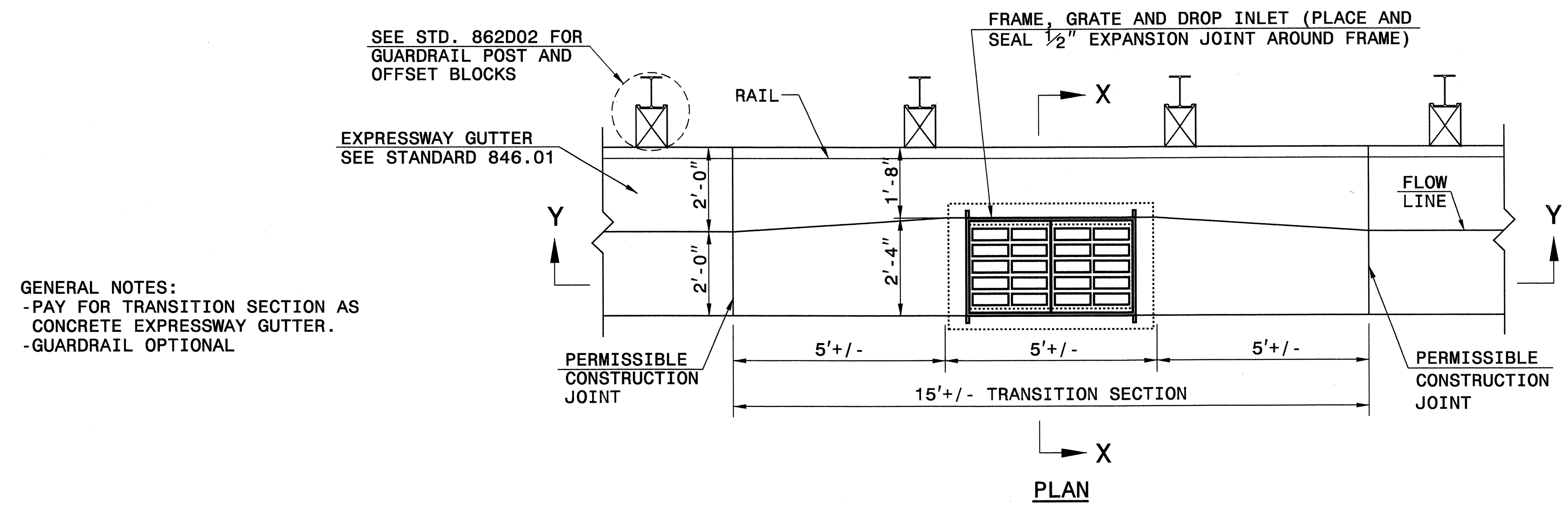
ENGLISH DETAIL DRAWING FOR
**DROP INLET INSTALLATION IN
EXPRESSWAY GUTTER**

SHEET 1 OF 1
846D02

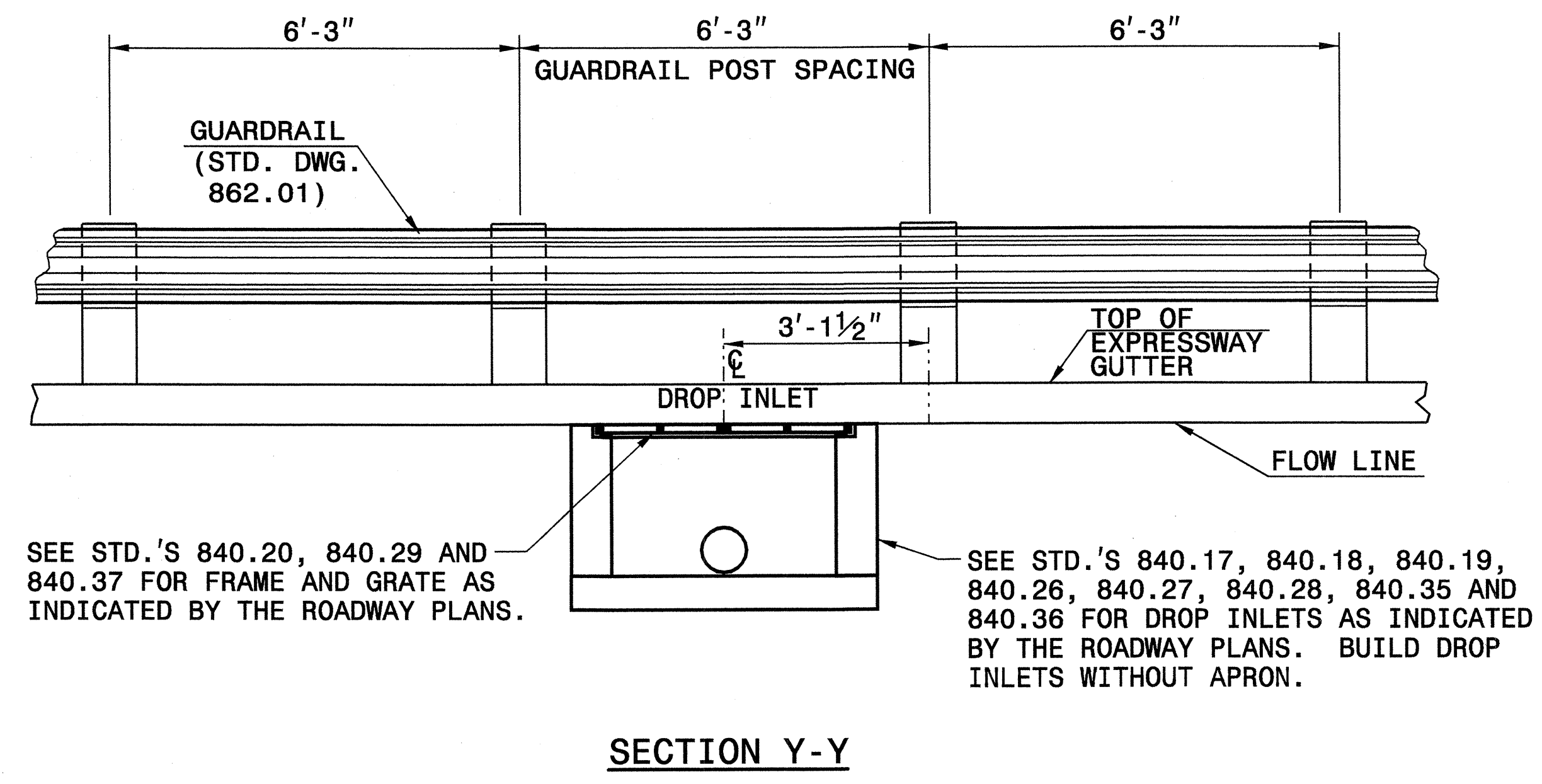
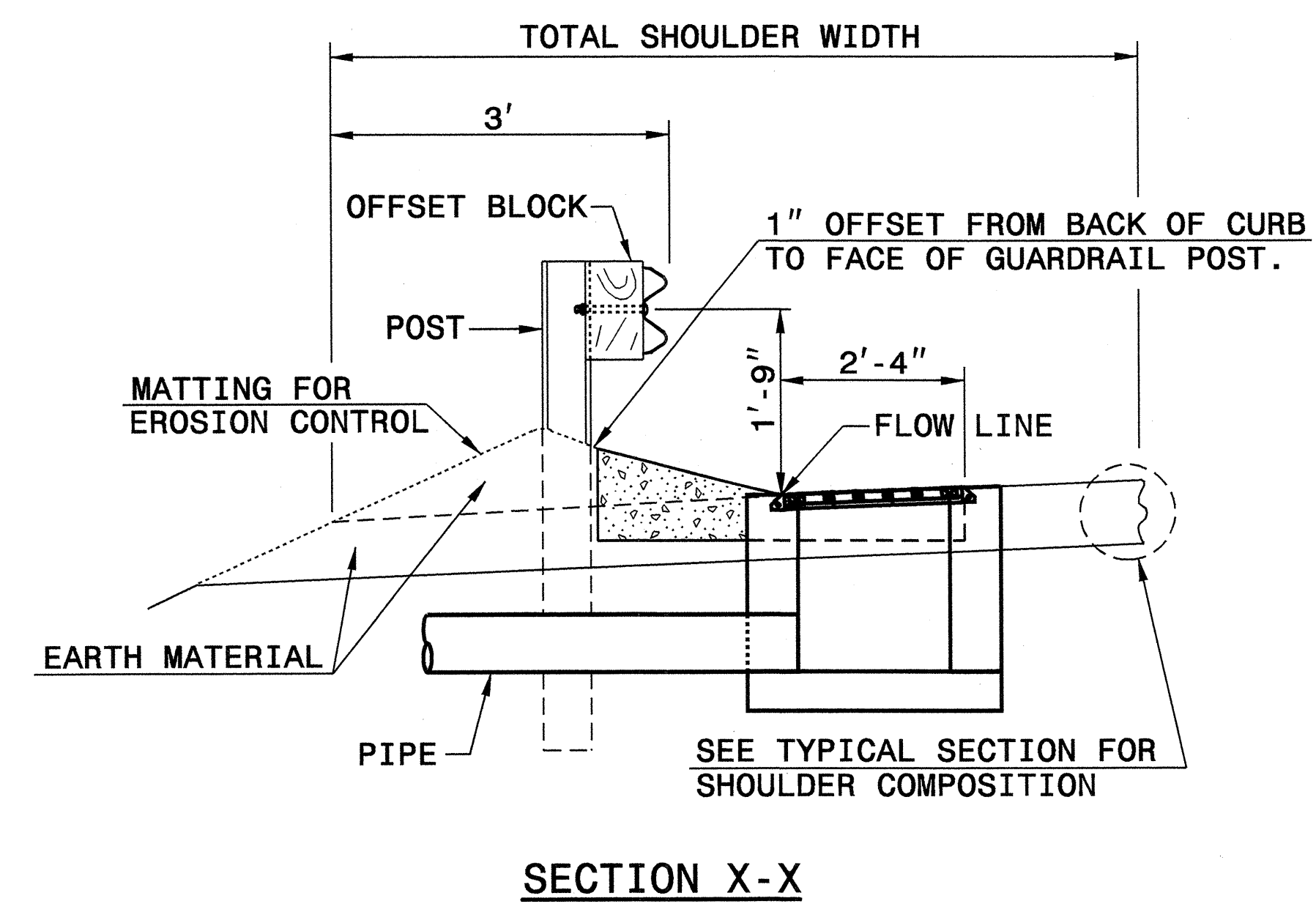
STATE OF
NORTH CAROLINA
DEPT. OF TRANSPORTATION
DIVISION OF HIGHWAYS
RALEIGH, N.C.

ENGLISH DETAIL DRAWING FOR
**DROP INLET INSTALLATION IN
EXPRESSWAY GUTTER**

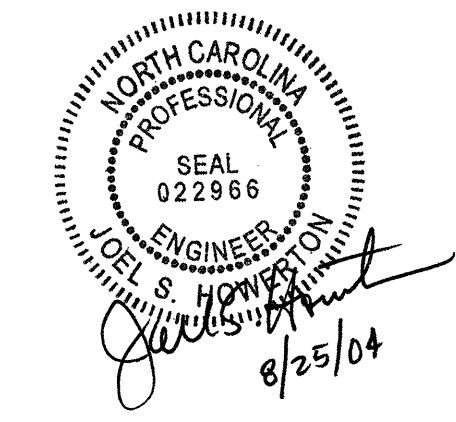
SHEET 1 OF 1
846D02



GENERAL NOTES:
-PAY FOR TRANSITION SECTION AS
CONCRETE EXPRESSWAY GUTTER.
-GUARDRAIL OPTIONAL



DROP INLET INSTALLATION IN EXPRESSWAY GUTTER



**DESIGN SERVICES UNIT
STANDARDS AND SPECIAL DESIGN**
Office 919-250-4128 FAX 919-250-4119

SEE PLATE FOR TITLE

ORIGINAL BY: 2002 STANDARDS DATE: 01-15-02
 MODIFIED BY: E.E. WARD DATE: 04-07-04
 CHECKED BY: C.B. Perry DATE: 4-12-04
 FILE SPEC.: stds/02stdst0details/english/846d02.dgn

07-APR-2004 16:55 M:\Special_Details\stds\02\Stds to Special_Details\english\846d02\0846d02.dgn