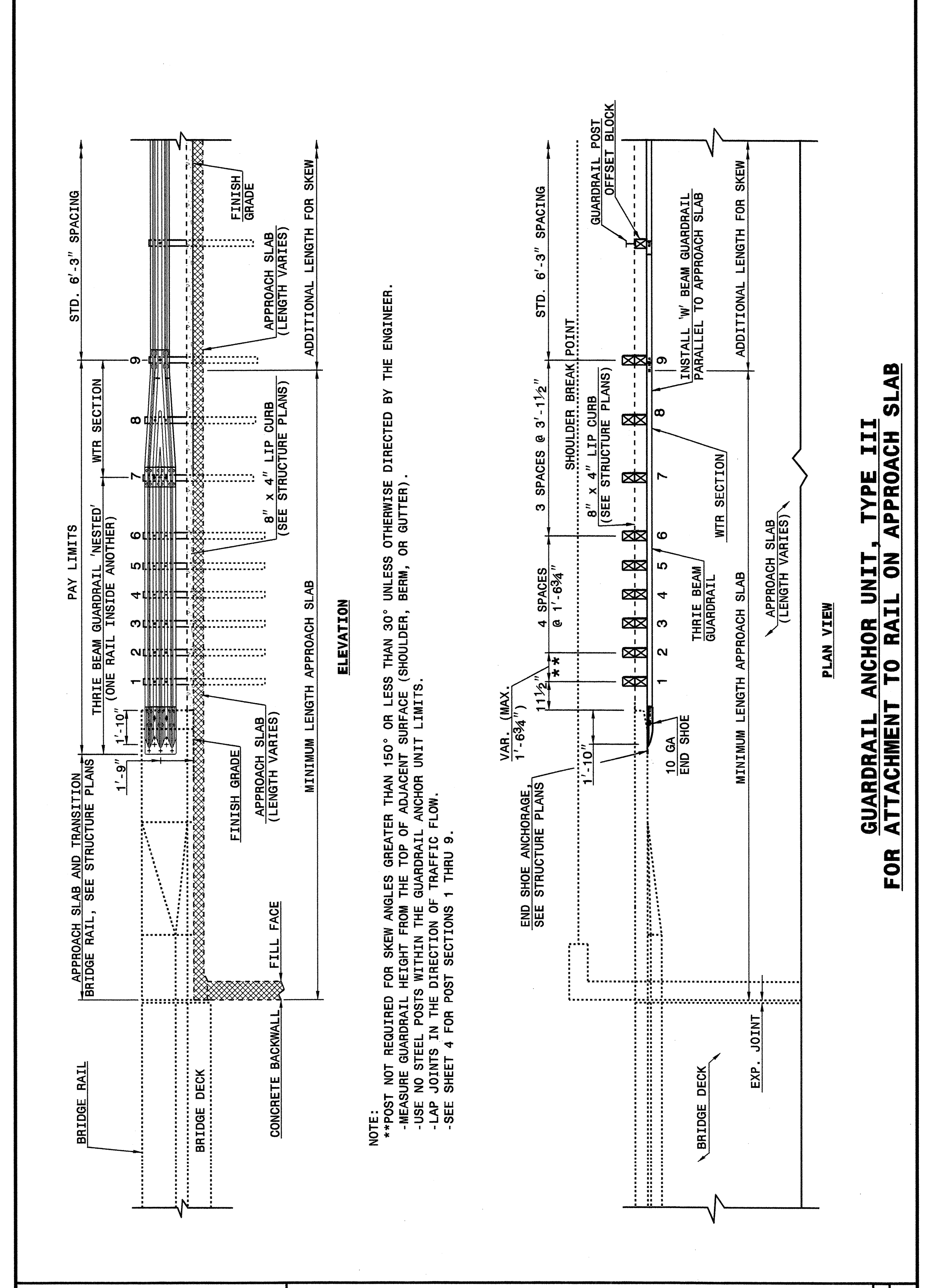


STATE OF NORTH CAROLINA  
DEPT. OF TRANSPORTATION  
DIVISION OF HIGHWAYS  
RALEIGH, N.C.

ENGLISH DETAIL DRAWING FOR  
STRUCTURE ANCHOR UNITS  
GUARDRAIL ANCHOR UNIT, TYPE III  
FOR ATTACHMENT TO RAIL ON APPROACH SLAB

SHEET 3 OF 4  
**862D03**



NOTE:  
 \*\*POST NOT REQUIRED FOR SKEW ANGLES GREATER THAN 150° OR LESS THAN 30° UNLESS OTHERWISE DIRECTED BY THE ENGINEER.  
 -MEASURE GUARDRAIL HEIGHT FROM THE TOP OF ADJACENT SURFACE (SHOULDER, BERM, OR GUTTER).  
 -USE NO STEEL POSTS WITHIN THE GUARDRAIL ANCHOR UNIT LIMITS.  
 -LAP JOINTS IN THE DIRECTION OF TRAFFIC FLOW.  
 -SEE SHEET 4 FOR POST SECTIONS 1 THRU 9.

STATE OF NORTH CAROLINA  
DEPT. OF TRANSPORTATION  
DIVISION OF HIGHWAYS  
RALEIGH, N.C.

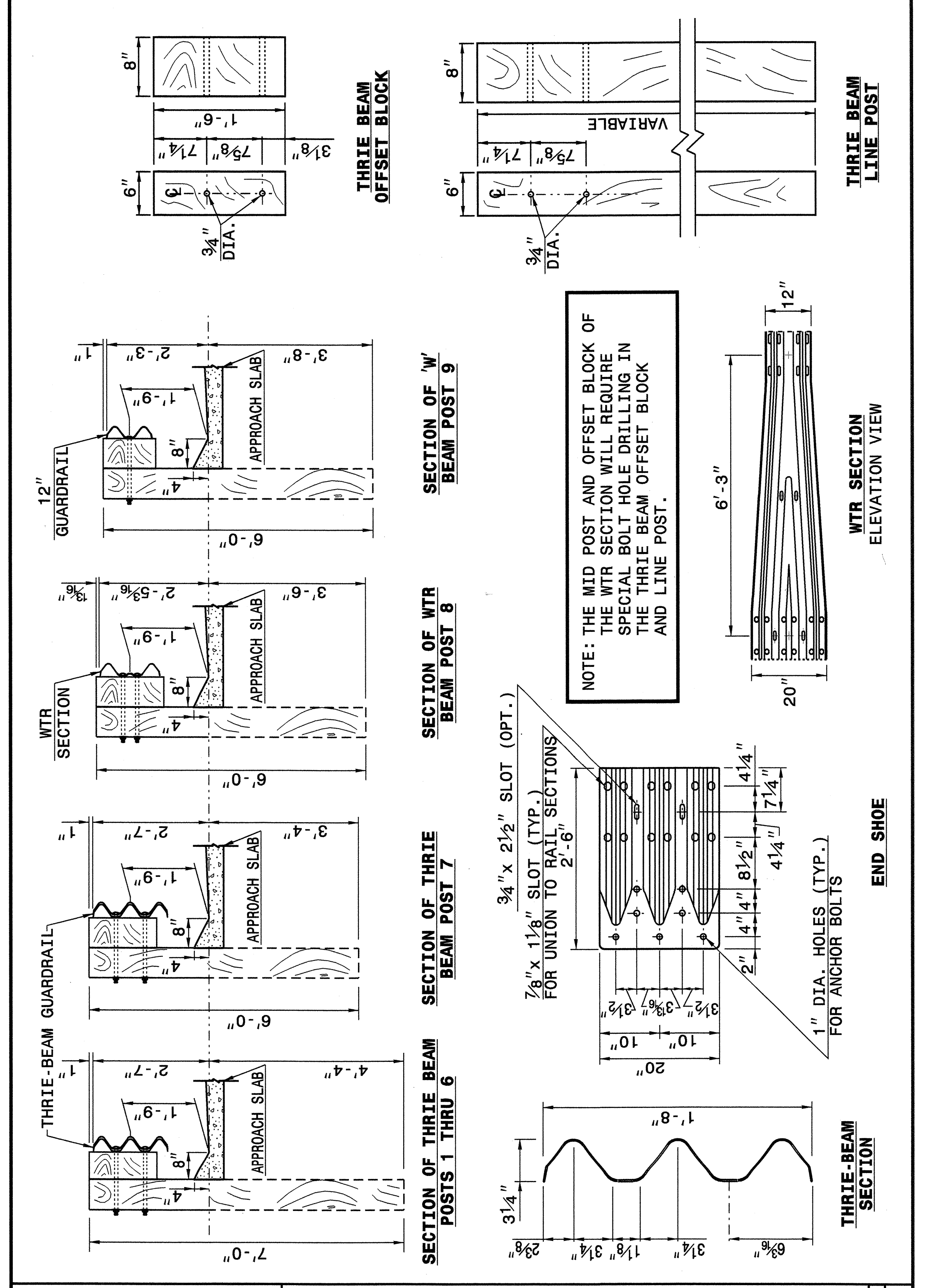
ENGLISH DETAIL DRAWING FOR  
STRUCTURE ANCHOR UNITS  
GUARDRAIL ANCHOR UNIT, TYPE III  
FOR ATTACHMENT TO RAIL ON APPROACH SLAB

SHEET 3 OF 4  
**862D03**

STATE OF NORTH CAROLINA  
DEPT. OF TRANSPORTATION  
DIVISION OF HIGHWAYS  
RALEIGH, N.C.

ENGLISH DETAIL DRAWING FOR  
STRUCTURE ANCHOR UNITS  
GUARDRAIL ANCHOR UNIT, TYPE III

SHEET 4 OF 4  
**862D03**

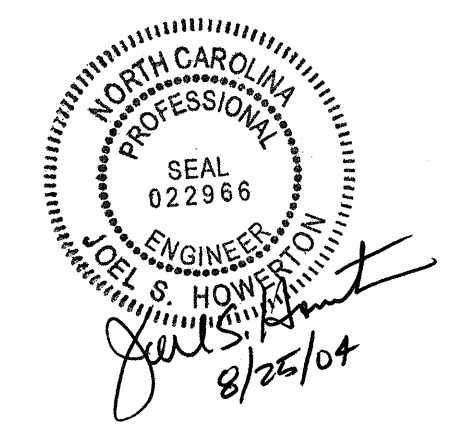


NOTE: THE MTD POST AND OFFSET BLOCK OF SPECIAL BOLT HOLE DRILLING IN THE THRIE BEAM OFFSET BLOCK AND LINE POST.

STATE OF NORTH CAROLINA  
DEPT. OF TRANSPORTATION  
DIVISION OF HIGHWAYS  
RALEIGH, N.C.

ENGLISH DETAIL DRAWING FOR  
STRUCTURE ANCHOR UNITS  
GUARDRAIL ANCHOR UNIT, TYPE III

SHEET 4 OF 4  
**862D03**



**DESIGN SERVICES UNIT  
STANDARDS AND SPECIAL DESIGN**  
Office 919-250-4128 FAX 919-250-4119

**SEE PLATE FOR TITLE**

ORIGINAL BY: 2002 STANDARDS DATE: 01-15-02  
 MODIFIED BY: E.E. WARD DATE: 04-07-04  
 CHECKED BY: C.B. King DATE: 4-7-04  
 FILE SPEC.: stds/02stds0details/english/862d03.dgn

06-APR-2004 09:16  
 M:\Special Details\word\stds\02\stds to Special Details/english\862d03\862d03.dgn  
 J:\Seward AT 05:11:26

5/14/99