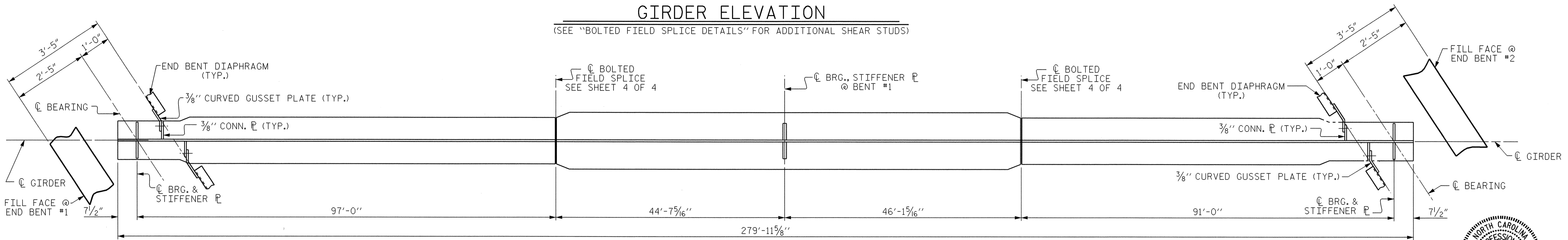
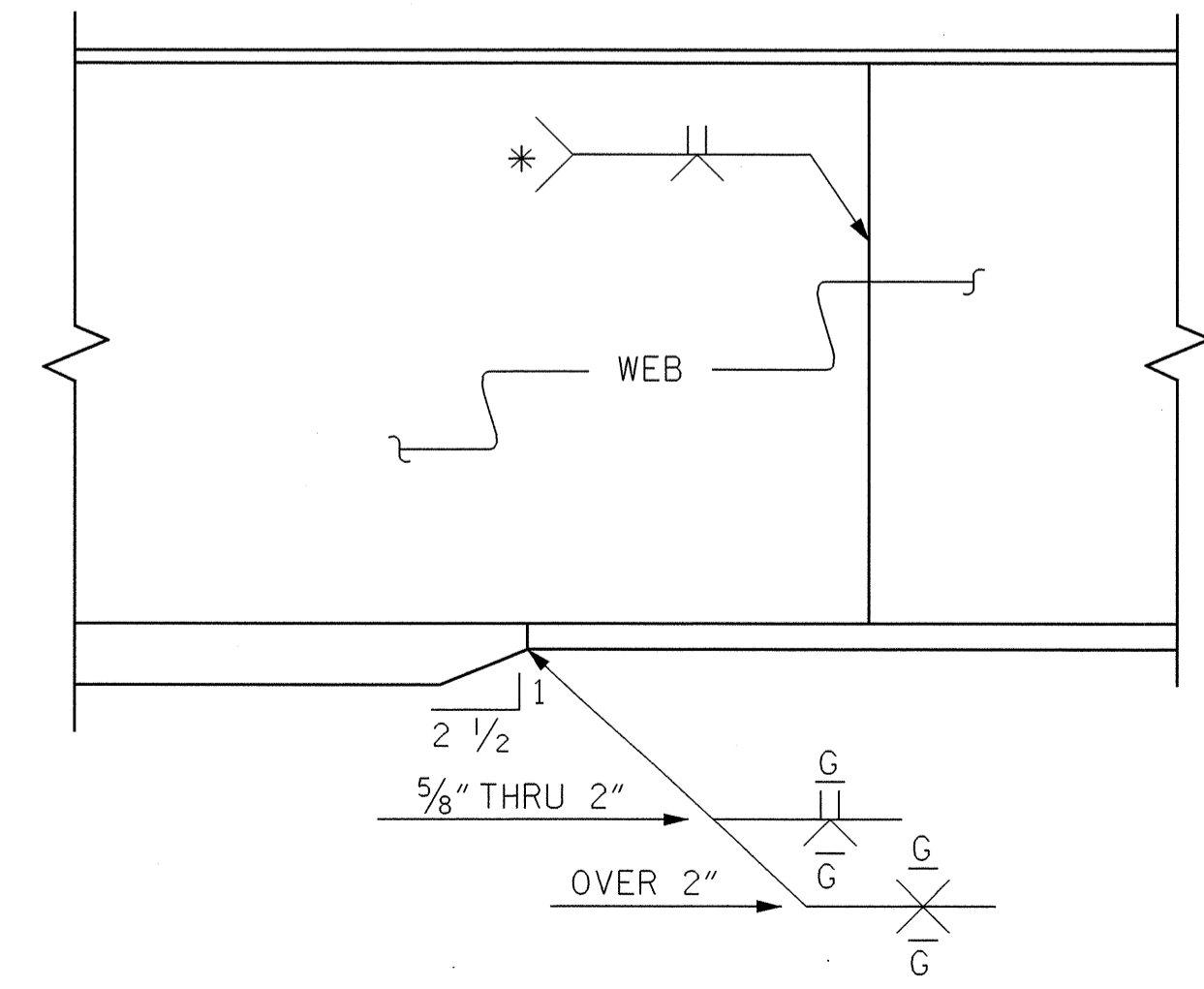
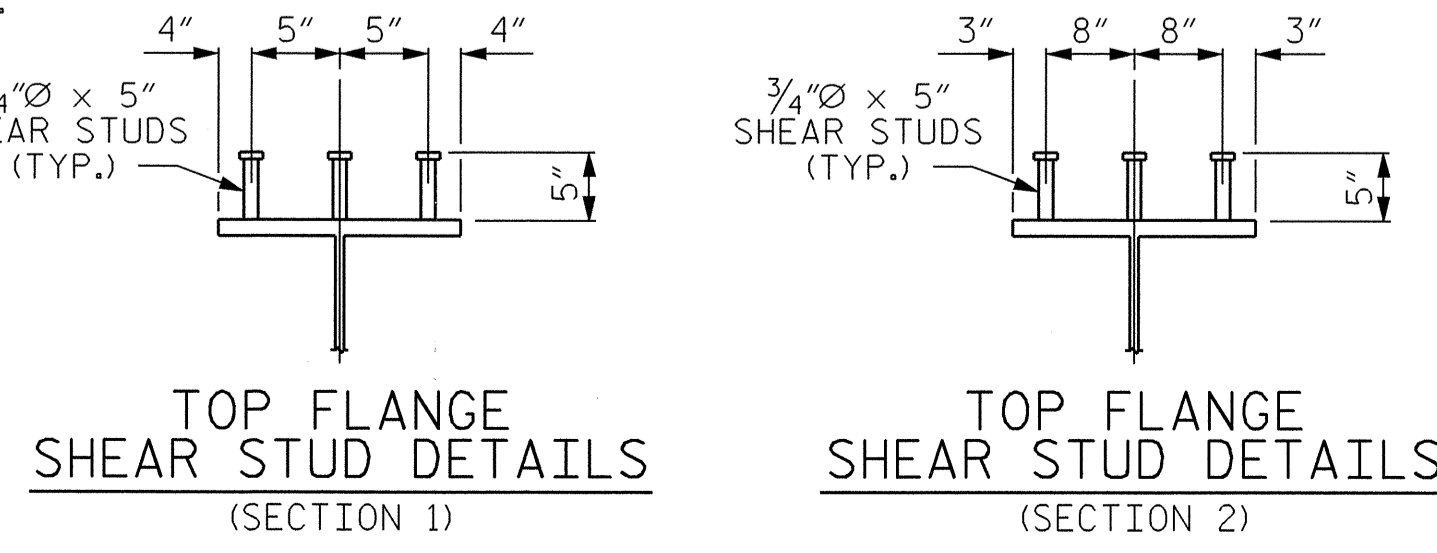
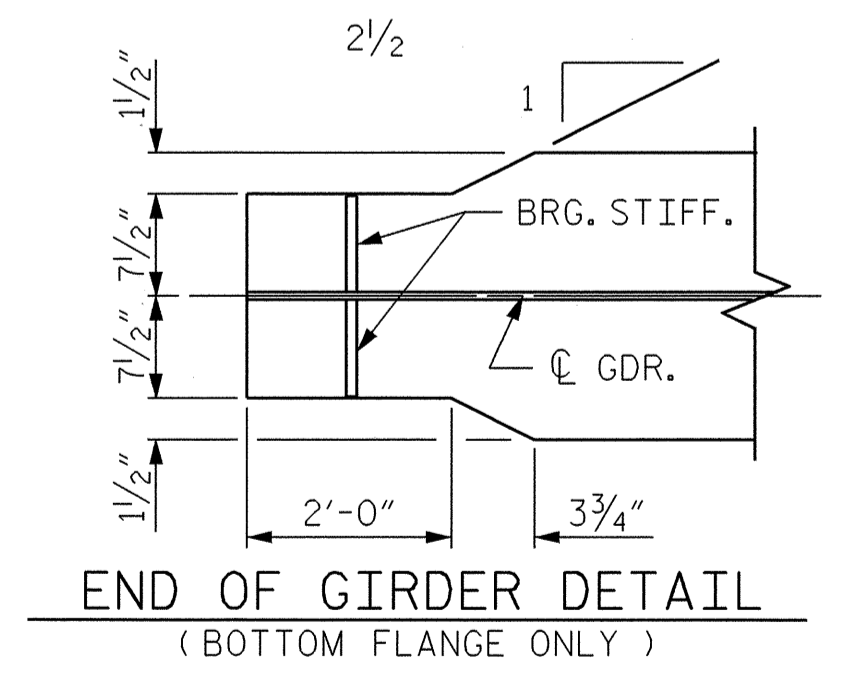
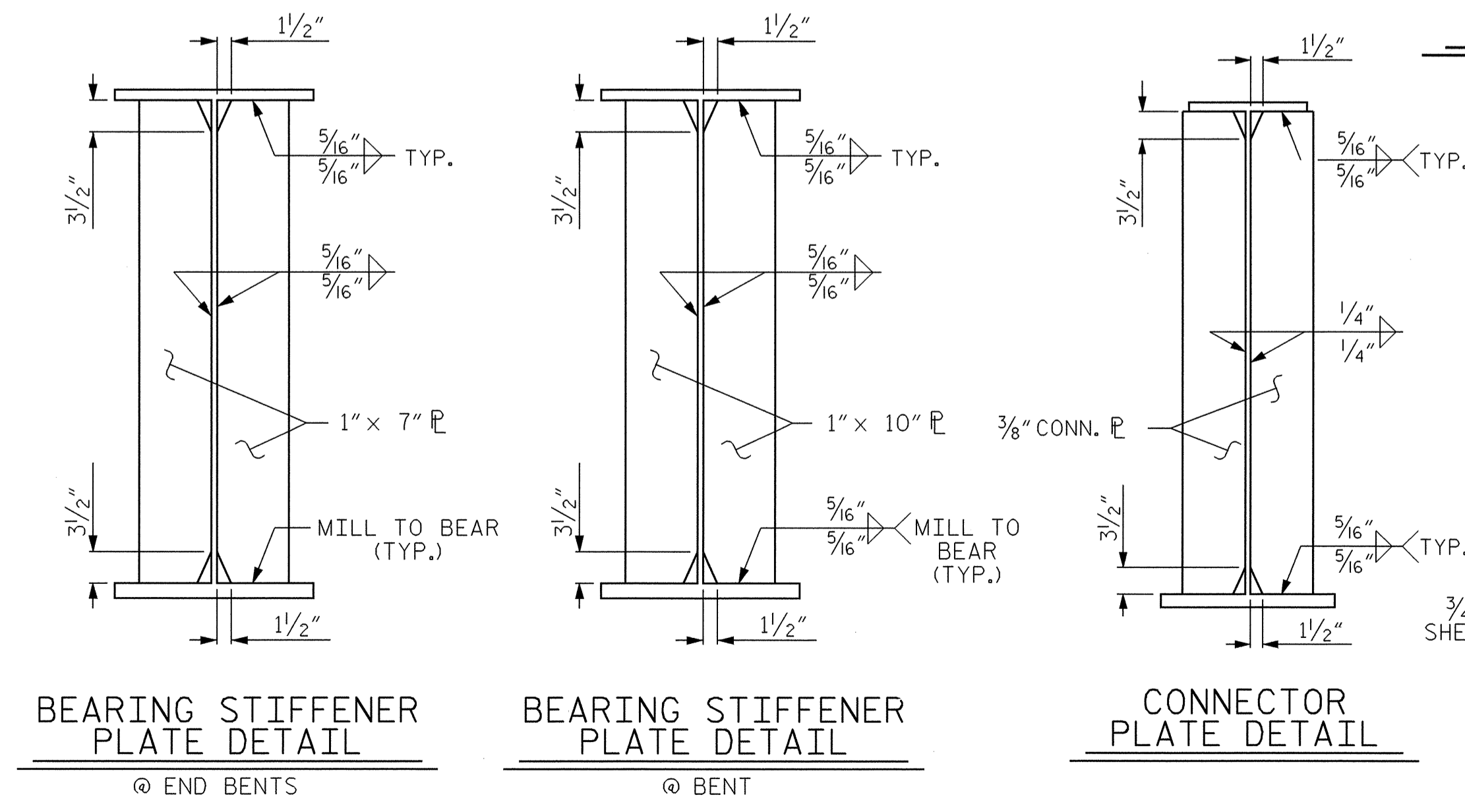


**GIRDER ELEVATION**

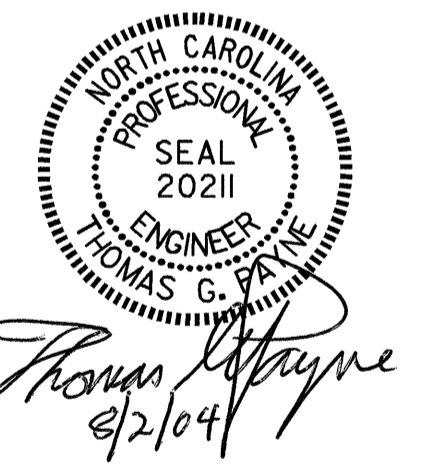
(SEE "BOLTED FIELD SPLICE DETAILS" FOR ADDITIONAL SHEAR STUDS)



**BOTTOM FLANGE DETAILS**



\* GRIND SMOOTH AND FLUSH ON OUTER FACE OF EXTERIOR GIRDERS



PROJECT NO. I-2102  
FORSYTH COUNTY  
 STATION: 20+71.54 -L-  
 SHEET 2 OF 4

STATE OF NORTH CAROLINA  
 DEPARTMENT OF TRANSPORTATION  
 RALEIGH  
**SUPERSTRUCTURE  
 STRUCTURAL STEEL  
 DETAILS**

DRAWN BY: J.P. ADAMS DATE: 7/22/03  
 CHECKED BY: S.H. SOCKWELL DATE: 10/2/03

REVISIONS						SHEET NO.
NO.	BY:	DATE:	NO.	BY:	DATE:	TOTAL SHEETS
1			3			51
2			4			