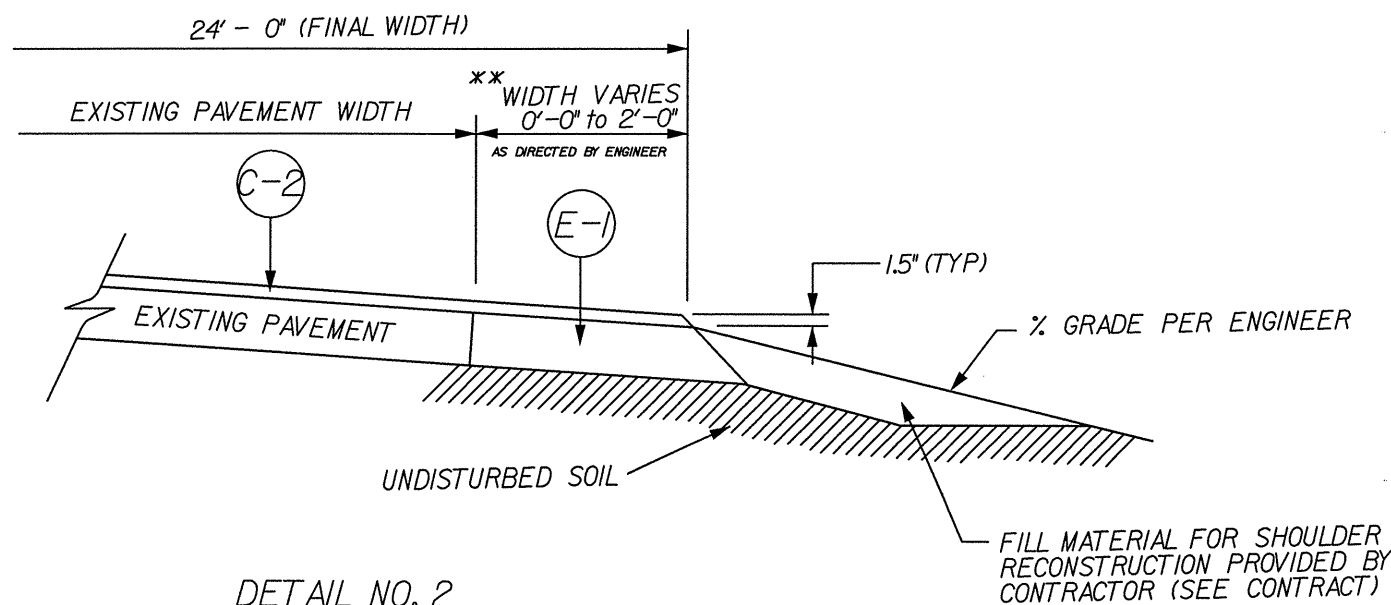


DETAIL NO. 1
 WIDENING AND SHOULDER RECONSTRUCTION

** NOTE TO CONTRACTOR:

IT IS STRONGLY RECOMMENDED THAT ONE FOOT WIDENING NOT BE USED AS IT IS VERY DIFFICULT TO ACHIEVE PROPER COMPACTION IN SUCH A SMALL AREA.

AS DIRECTED BY THE ENGINEER, THE CONTRACTOR MAY BE REQUIRED TO DISTRIBUTE THE WIDENING ON A MAP TO MATCH THE FIELD CONDITIONS. FOR INSTANCE, A MAP WITH 2 TO 3 FT WIDENING MAY HAVE 0 FT WIDENING ON ONE SIDE OF THE ROADWAY AND 2 OR 3 FT WIDENING ON THE OTHER SIDE. LIKEWISE, ON A MAP WITH 4 FT OF WIDENING, THERE MAY BE 0 FT ON ONE SIDE AND 4 FT ON THE OTHER SIDE, OR IT MAY BE DIVIDED UP EQUALLY HAVING 2 FT ON BOTH SIDES OF THE ROADWAY. AS STATED, THIS WILL DEPEND ON FIELD CONDITIONS AND WILL BE AT THE DISCRETION OF THE ENGINEER.



DETAIL NO. 2
 WIDENING AND SHOULDER RECONSTRUCTION