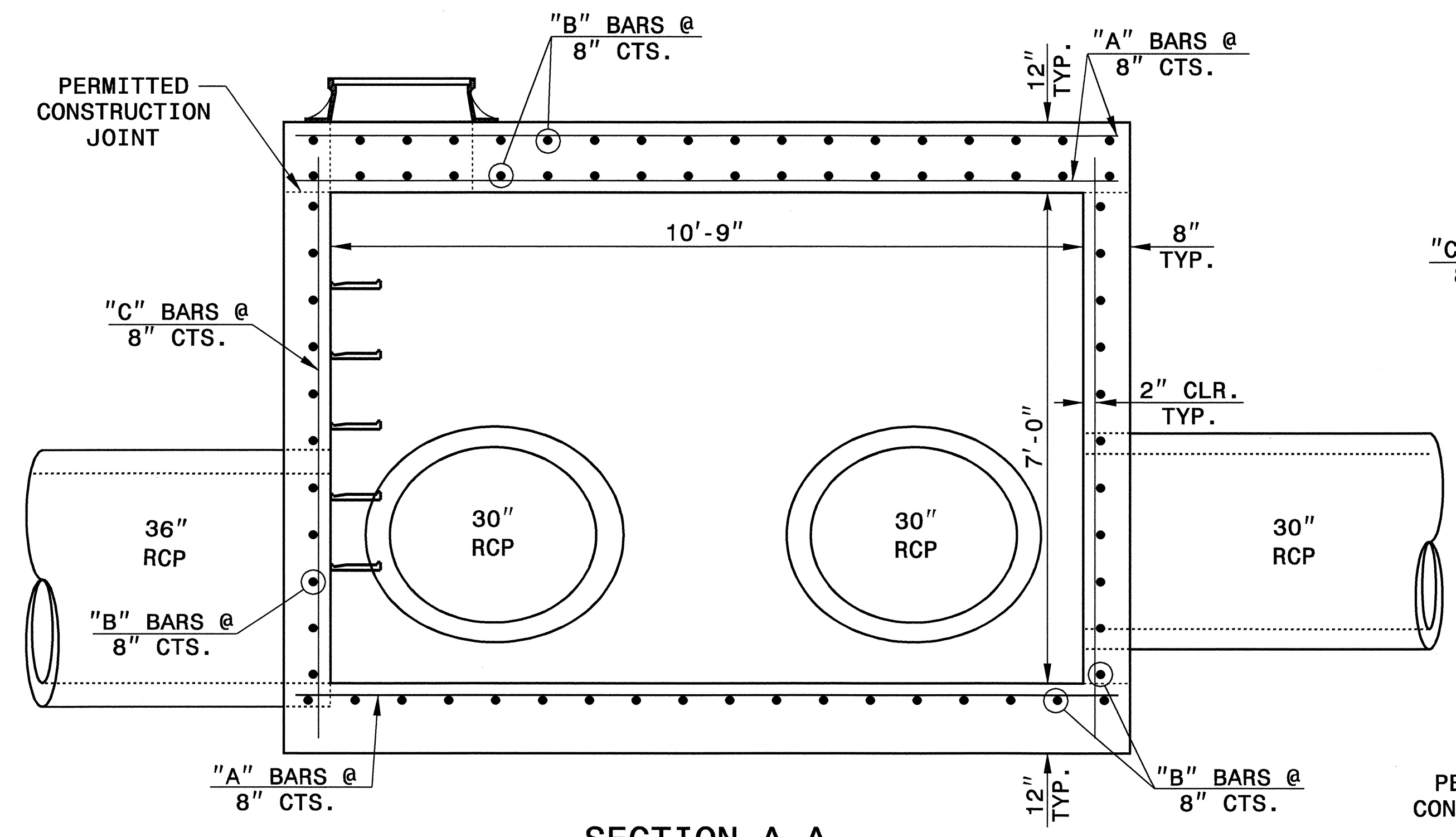


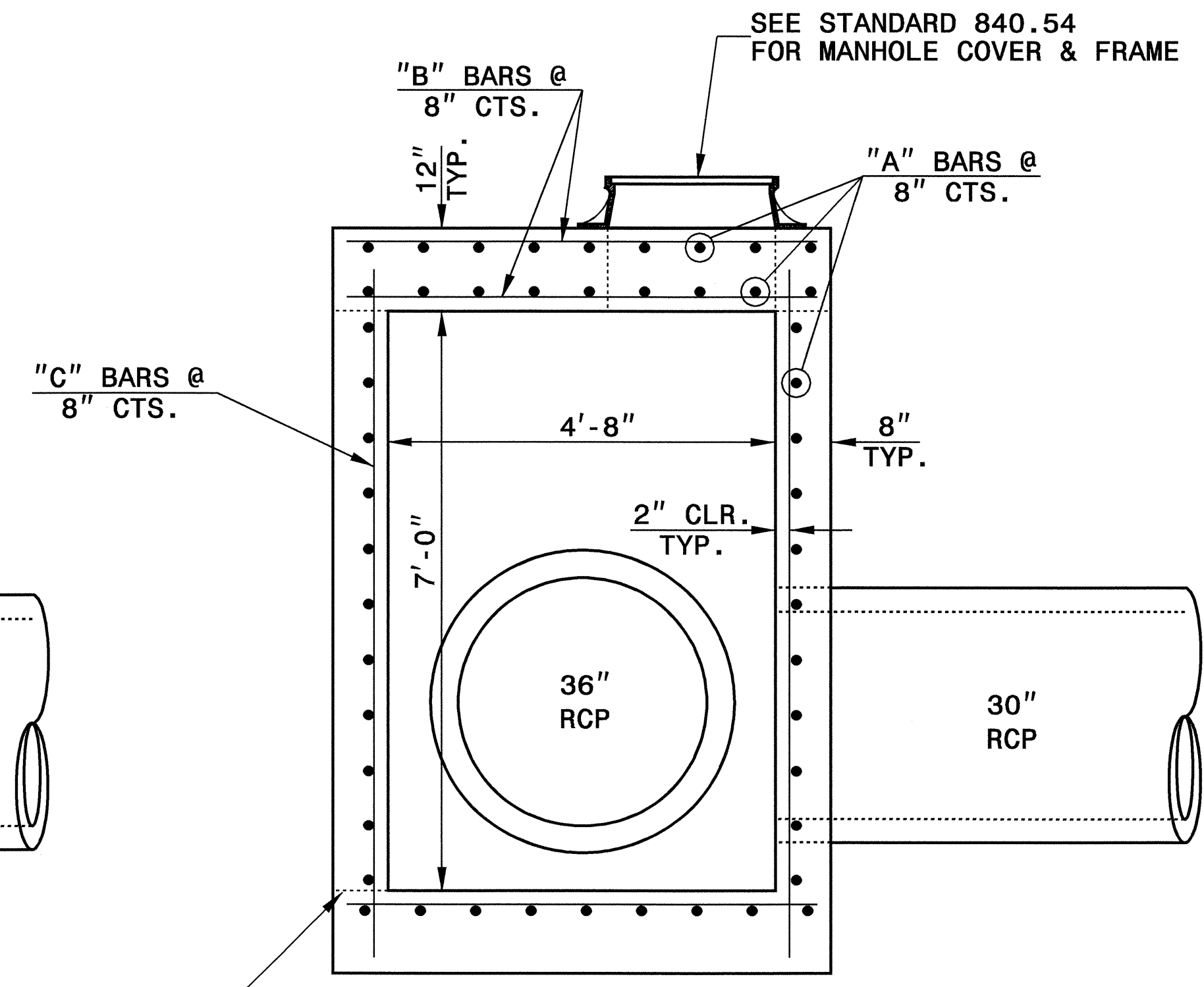
PLAN

GENERAL NOTES:

- USE FORMS TO CONSTRUCT BOTTOM SLAB.
- SEE STD. DWG. 840.00 FOR CONSTRUCTION OF BOTTOM SLAB IF PIPE IS SET INTO BASE SLAB.
- USE CLASS 'B' CONCRETE THROUGHOUT.
- REINFORCING STEEL TO BE POSITIONED AS DIRECTED BY THE ENGINEER.
- CHAMFER ALL EXPOSED CORNERS 1".
- SEE STD. DRAWING 840.34 FOR CONSTRUCTION OF RISER AND MANHOLE, IF REQUIRED.
- JUNCTION BOXES OVER 3'-6" IN DEPTH WITH MANHOLES REQUIRE STEPS PLACED ON 12" CTRS. REFERENCE STD. NO. 840.66.
- ADJUST DIMENSIONS FOR SMALLER PIPES. USE A MIN. OF 6" FROM INSIDE OF J.B. WALL TO OUTSIDE OF PIPE ON EACH SIDE.



SECTION A-A

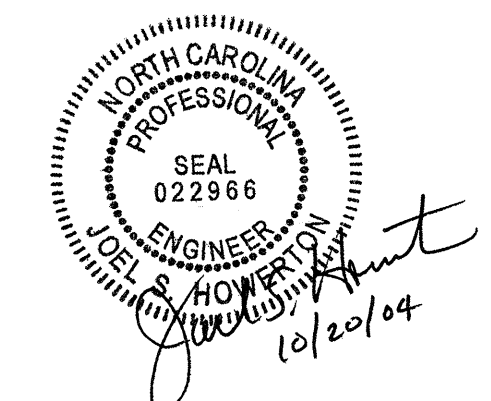


SECTION B-B

BILL OF MATERIAL

BAR	NO.	SIZE	LENGTH	WEIGHT
A	53	#6	11'-9"	935
B	80	#5	6'-0"	501
C	54	#5	8'-8"	488
TOTAL REINF. STEEL (lbs.)				1924
CLASS "B" CONC. (cu. yds.)				11.2

NO DEDUCTIONS HAVE BEEN MADE TO ACCOMMODATE PIPES OR MANHOLE OPENING.



**DESIGN SERVICES UNIT
STANDARDS AND SPECIAL DESIGN**
Office 919-250-4128 FAX 919-250-4119

**DETAIL OF TRAFFIC
BEARING JUNCTION BOX**

ORIGINAL BY: T.S. Spell DATE: 4-25-03
 MODIFIED BY: T.S. Spell DATE: 9-15-04
 CHECKED BY: *[Signature]* DATE: 9/20/04
 FILE SPEC.: \\details\stand\tbjb30_30_pipe_u2238.dgn