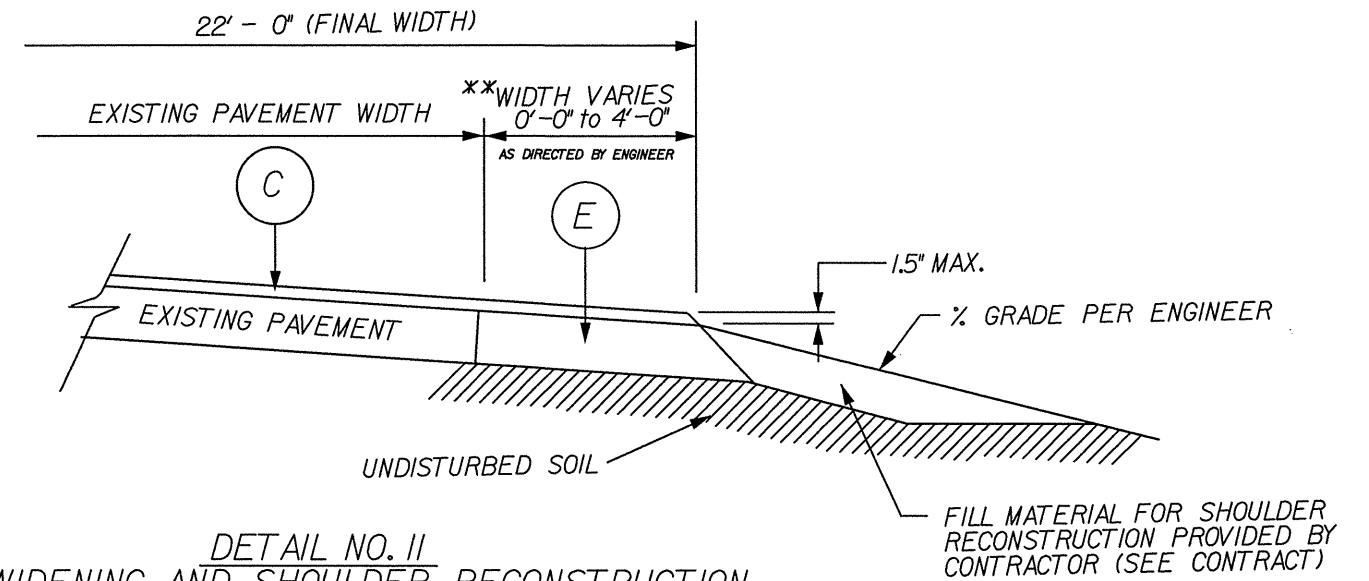
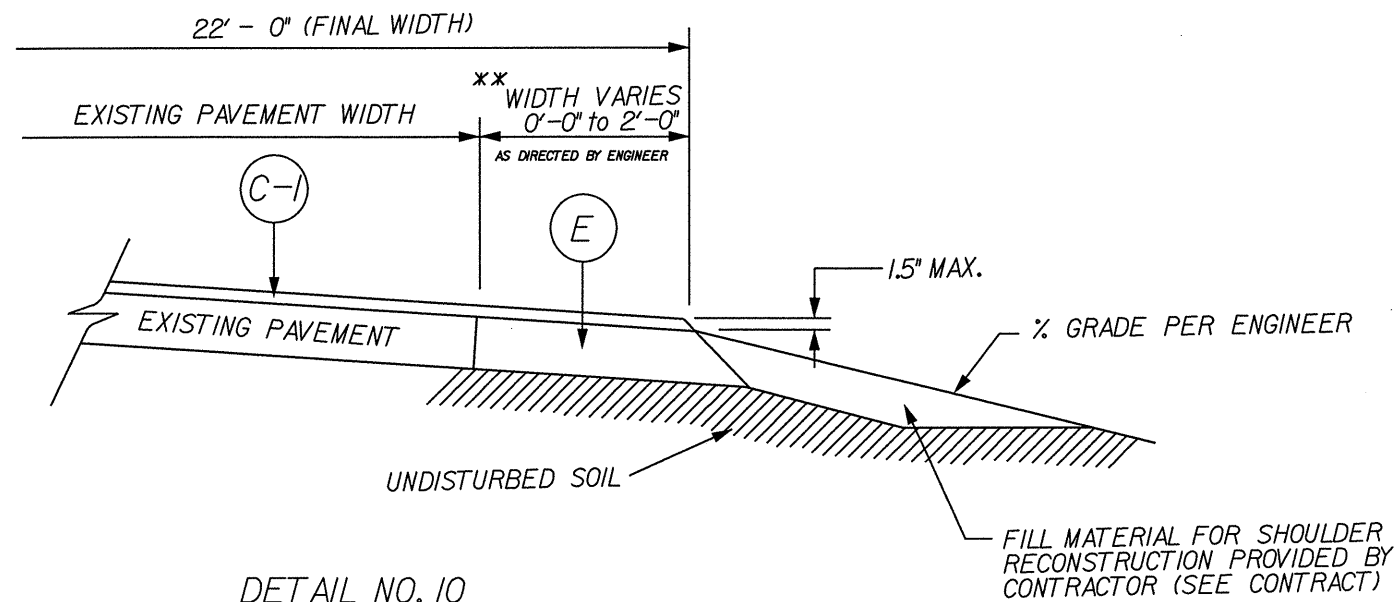


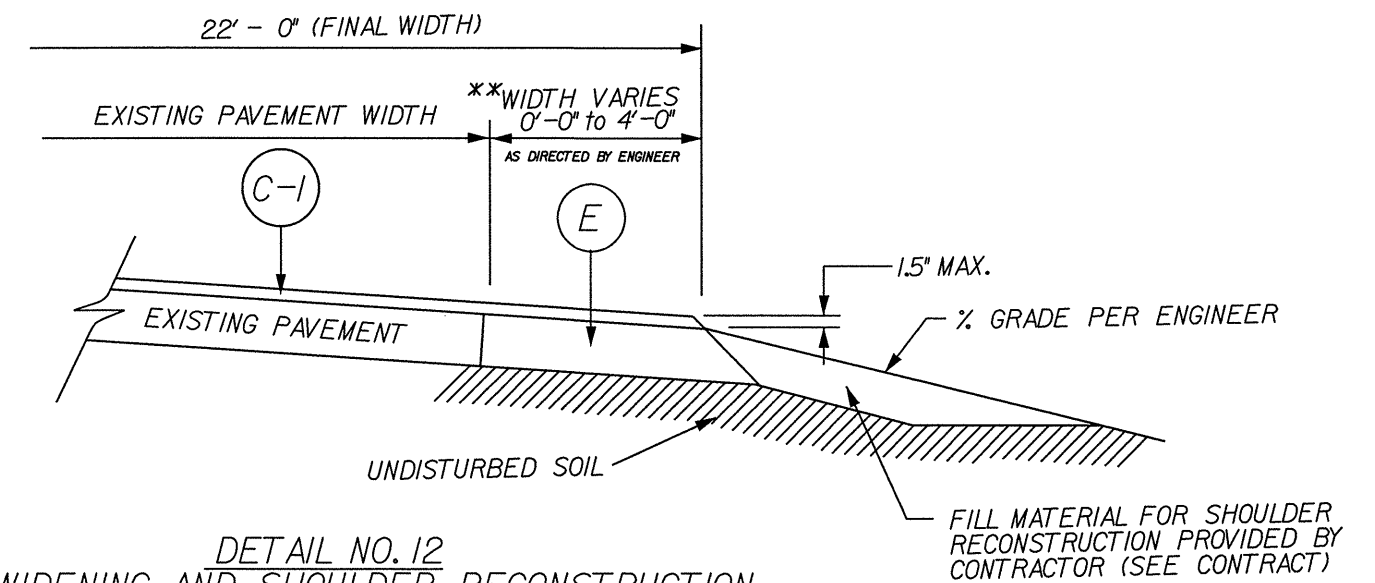
DETAIL NO. 9  
 WIDENING AND SHOULDER RECONSTRUCTION



DETAIL NO. 11  
 WIDENING AND SHOULDER RECONSTRUCTION



DETAIL NO. 10  
 WIDENING AND SHOULDER RECONSTRUCTION



DETAIL NO. 12  
 WIDENING AND SHOULDER RECONSTRUCTION