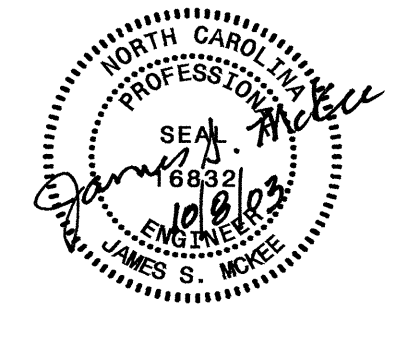


8/17/99

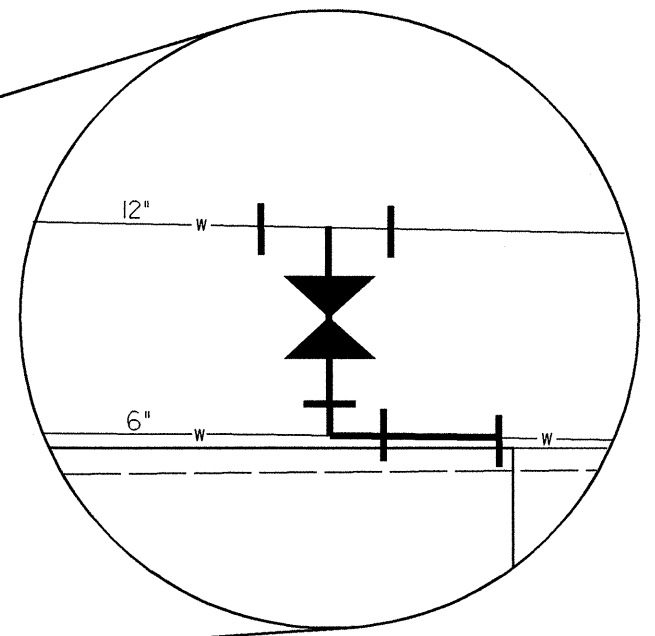
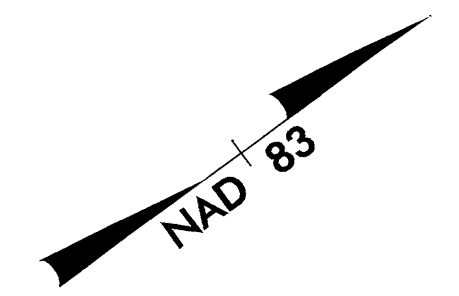
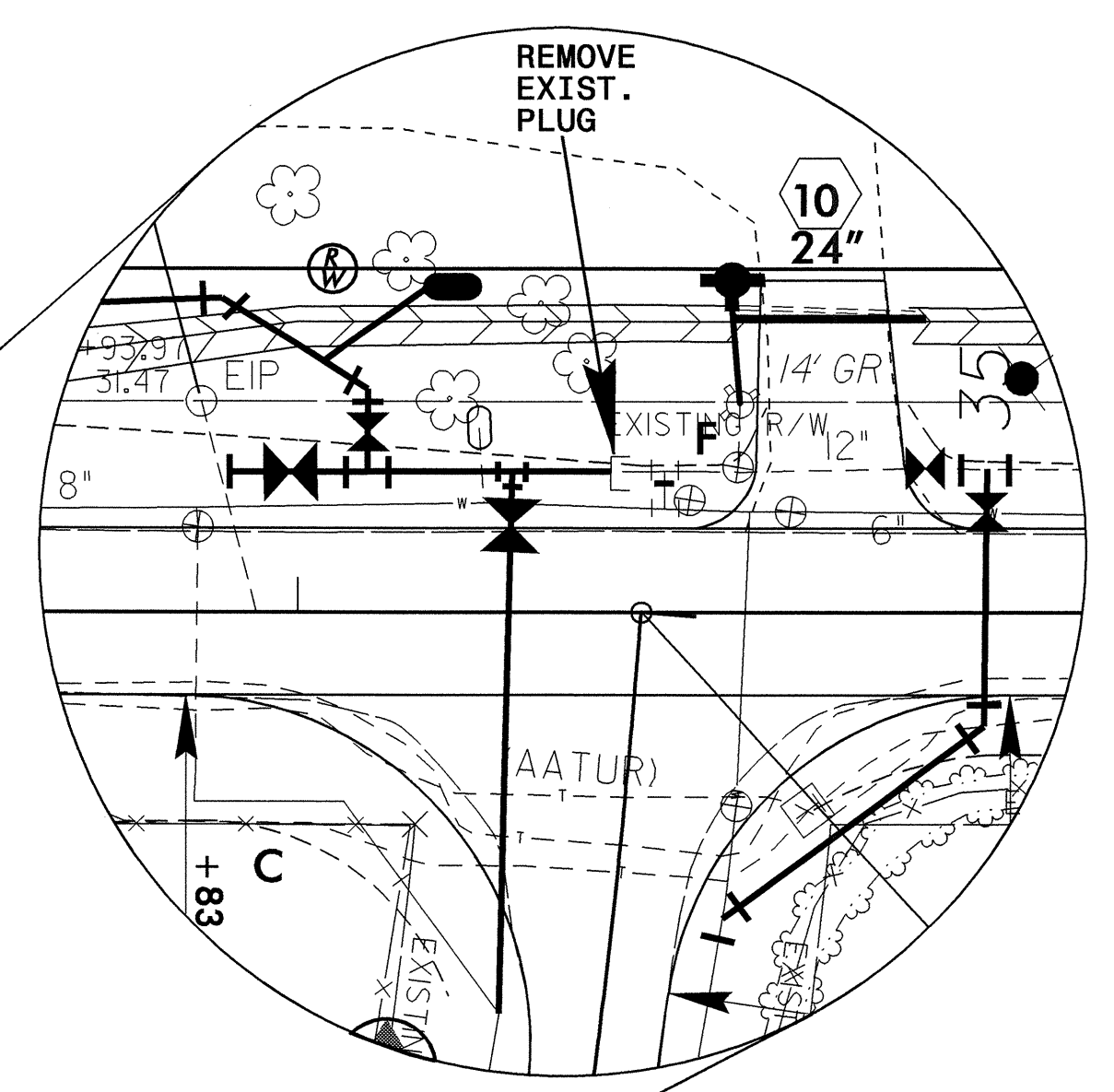
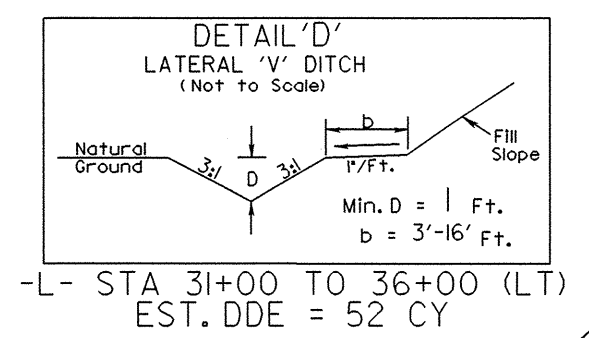
PROJECT REFERENCE NO.	SHEET NO.
B-4334	UC-3
DESIGNED BY: NSH	
DRAWN BY: NSH	
CHECKED BY: JSM	
APPROVED BY: JSM	
REVISER:	
NORTH CAROLINA DEPARTMENT OF TRANSPORTATION	
DESIGN SERVICES UNIT PHONE: (919)250-4128 FAX: (919)250-4119	
UTILITY CONSTRUCTION PLANS ONLY	

UTILITY CONSTRUCTION

- PROP. 510' - 8" DI WATER PIPE PC 350**
 55' - 12" DI WATER PIPE PC 350
 3 - RELOCATE EXIST. WATER METER
 145' OF 3/4" COPPER WATER PIPE, TYPE K
 2 - 8" DI 45° BEND
 1 - 8" DI 1 1/4" BEND
 2 - 12" X 8" DI TEE
 3 - 3/4" CORP. STOP
 2 - 8" GATE VALVE AND VALVE BOX,
 200 # WP
 1 - 12" GATE VALVE AND VALVE BOX,
 200 # WP
 4 - 12" RESTRAINED RETAINER GLAND
 3 - 8" RESTRAINED RETAINER GLAND
 1 - 12" DI PLUG
 CONNECT USING NECESSARY FITTINGS

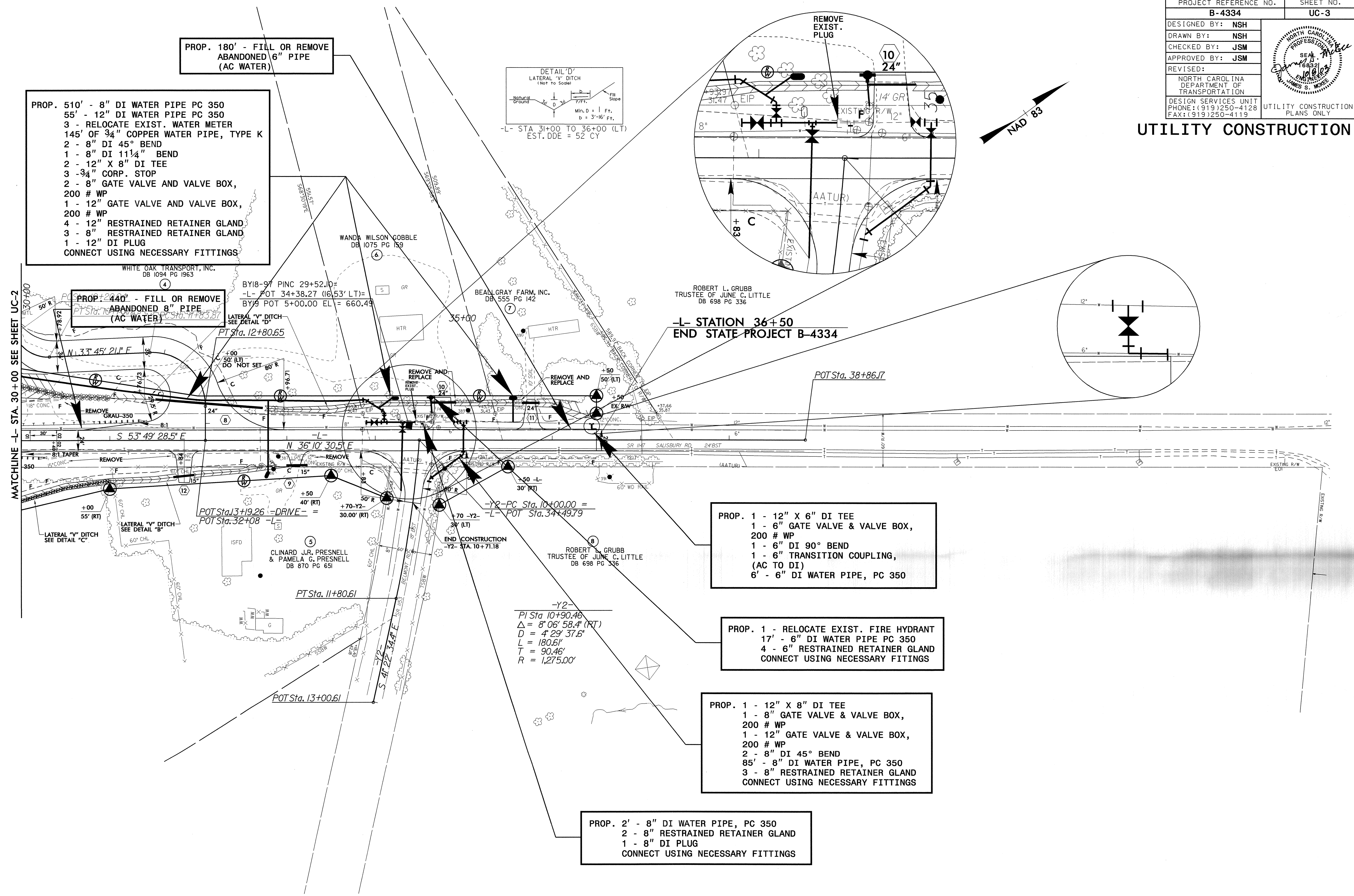
**PROP. 180' - FILL OR REMOVE
 ABANDONED 6" PIPE
 (AC WATER)**

**PROP. 440' - FILL OR REMOVE
 ABANDONED 8" PIPE
 (AC WATER)**



**-L- STATION 36+50
 END STATE PROJECT B-4334**

MATCHLINE -L- STA. 30+00 SEE SHEET UC-2



- PROP. 1 - 12" X 6" DI TEE**
 1 - 6" GATE VALVE & VALVE BOX,
 200 # WP
 1 - 6" DI 90° BEND
 1 - 6" TRANSITION COUPLING,
 (AC TO DI)
 6' - 6" DI WATER PIPE, PC 350

- PROP. 1 - RELOCATE EXIST. FIRE HYDRANT**
 17' - 6" DI WATER PIPE PC 350
 4 - 6" RESTRAINED RETAINER GLAND
 CONNECT USING NECESSARY FITTINGS

- PROP. 1 - 12" X 8" DI TEE**
 1 - 8" GATE VALVE & VALVE BOX,
 200 # WP
 1 - 12" GATE VALVE & VALVE BOX,
 200 # WP
 2 - 8" DI 45° BEND
 85' - 8" DI WATER PIPE, PC 350
 3 - 8" RESTRAINED RETAINER GLAND
 CONNECT USING NECESSARY FITTINGS

- PROP. 2' - 8" DI WATER PIPE, PC 350**
 2 - 8" RESTRAINED RETAINER GLAND
 1 - 8" DI PLUG
 CONNECT USING NECESSARY FITTINGS

08-OCT-2003 16:02
 R:\Utilities\Bdy\Ut\Prj\B4334\5_UC3_ut.psh.dgn
 chandon AL 15214518