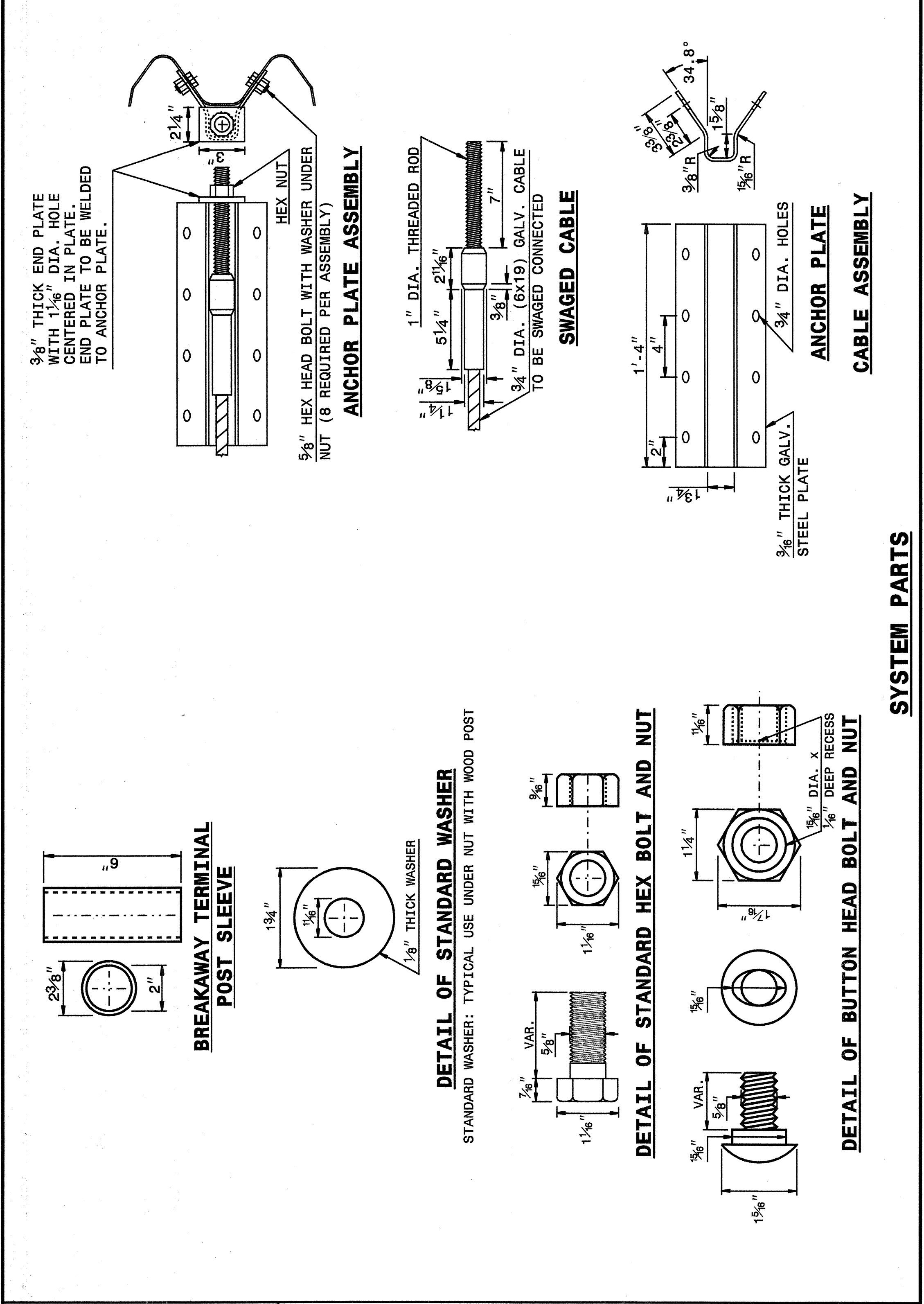


STATE OF NORTH CAROLINA DEPT. OF TRANSPORTATION DIVISION OF HIGHWAYS RALEIGH, N.C.

ENGLISH DETAIL DRAWING FOR **GUARDRAIL INSTALLATION**

SHEET 5 OF 7 **862D02**



**SYSTEM PARTS**

STATE OF NORTH CAROLINA DEPT. OF TRANSPORTATION DIVISION OF HIGHWAYS RALEIGH, N.C.

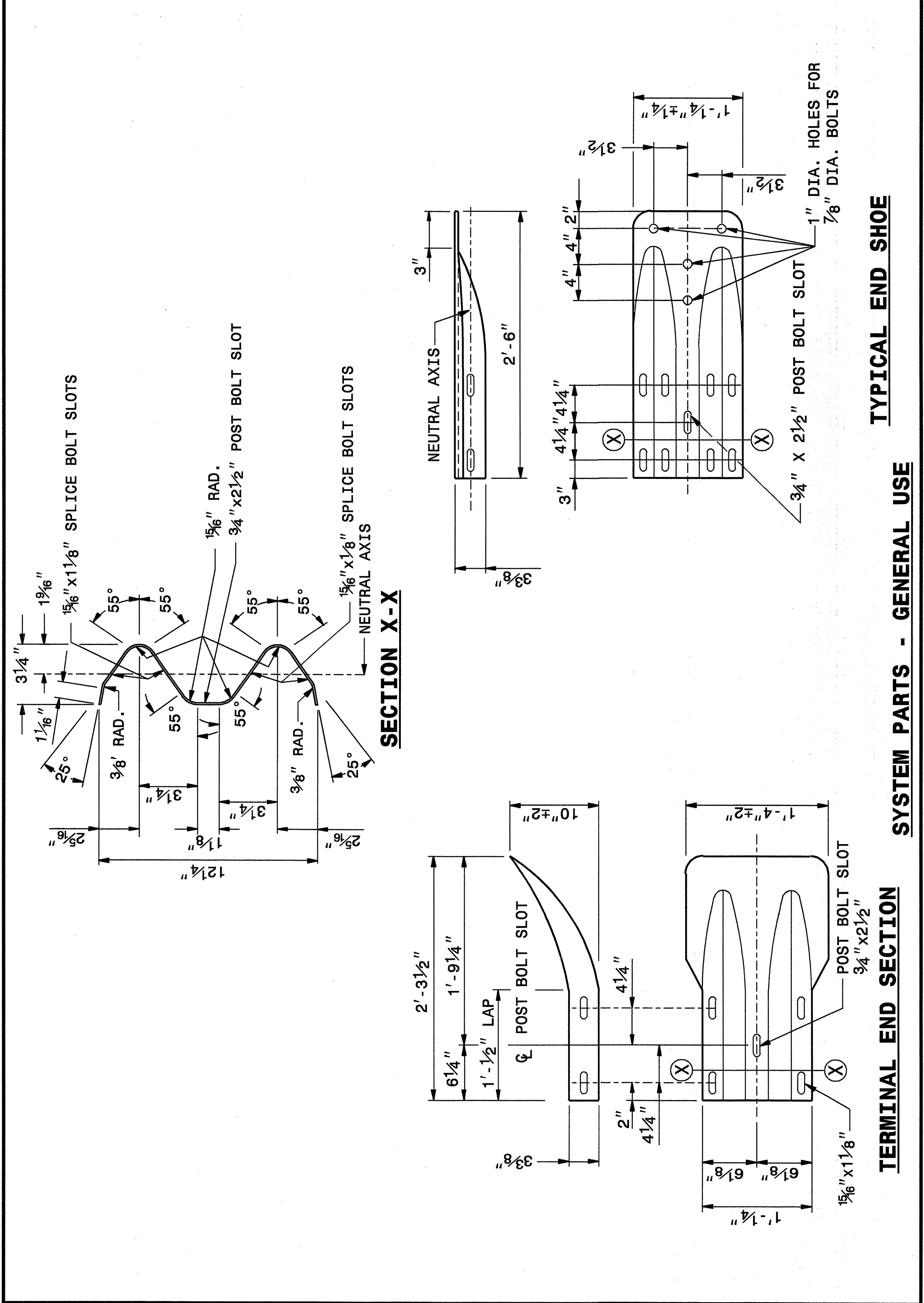
ENGLISH DETAIL DRAWING FOR **GUARDRAIL INSTALLATION**

SHEET 5 OF 7 **862D02**

STATE OF NORTH CAROLINA DEPT. OF TRANSPORTATION DIVISION OF HIGHWAYS RALEIGH, N.C.

ENGLISH DETAIL DRAWING FOR **GUARDRAIL INSTALLATION**

SHEET 6 OF 7 **862D02**

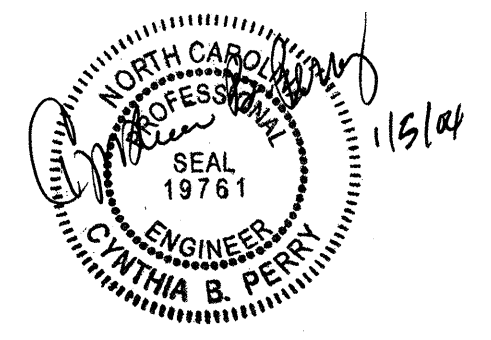


STATE OF NORTH CAROLINA DEPT. OF TRANSPORTATION DIVISION OF HIGHWAYS RALEIGH, N.C.

ENGLISH DETAIL DRAWING FOR **GUARDRAIL INSTALLATION**

SHEET 6 OF 7 **862D02**

**SYSTEM PARTS - GENERAL USE**



**DESIGN SERVICES UNIT**  
**STANDARDS AND SPECIAL DESIGN**  
 Office 919-250-4128 FAX 919-250-4119

**SEE PLATE FOR TITLE**

ORIGINAL BY: 2002 STD.862.02 DATE:  
 MODIFIED BY: E.E. WARD DATE: 02-09-03  
 CHECKED BY: *[Signature]* DATE: 5-02  
 FILE SPEC.: /usr/stdg/02todetd/eng1ish/86202/862d02.dgn

14-MAY-2003 14:01  
 M:\Special\_Details\ericward\stds\02\Stds to Special\_Details\eng1ish\86202\0862d02.dgn  
 ericward AT DS188660