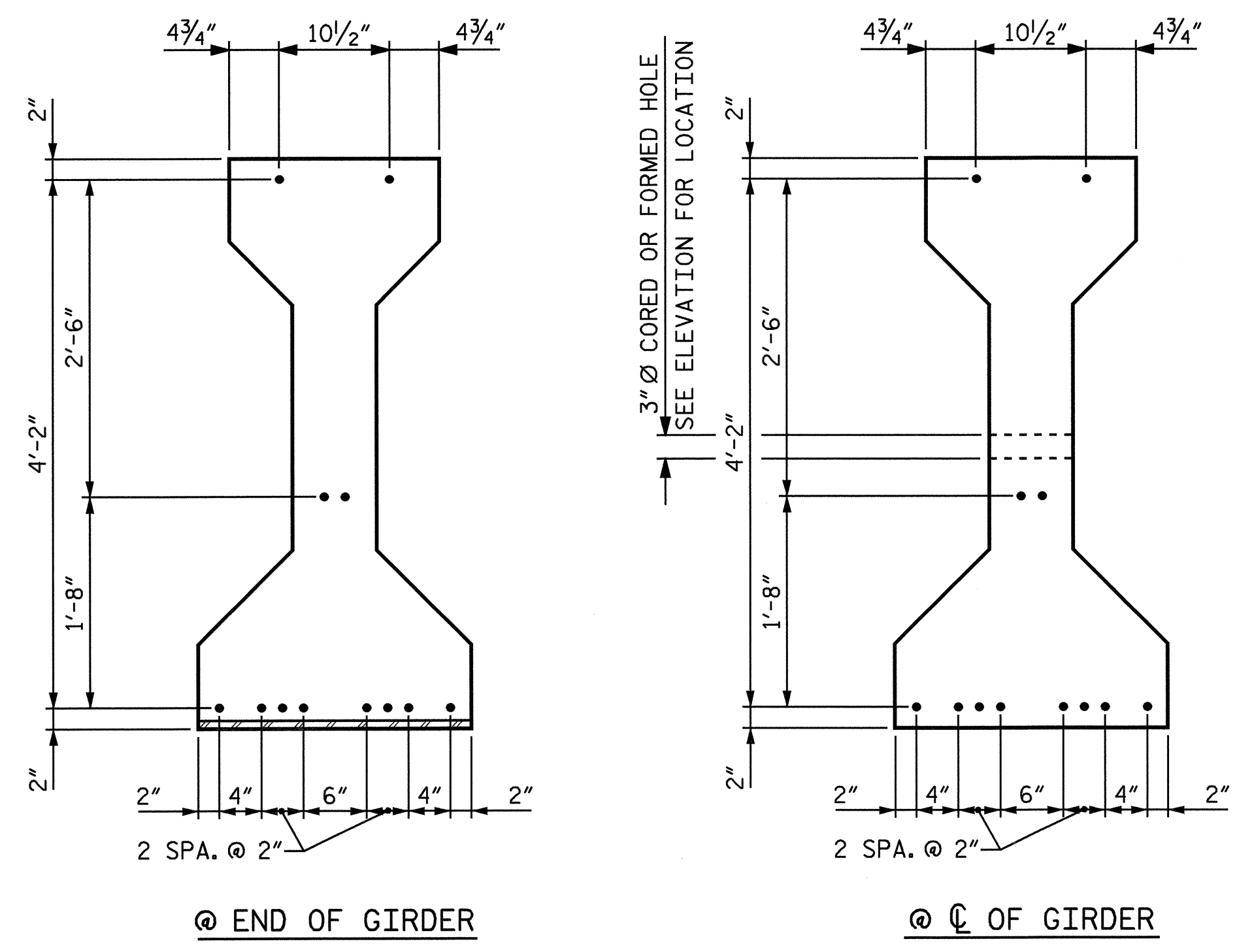
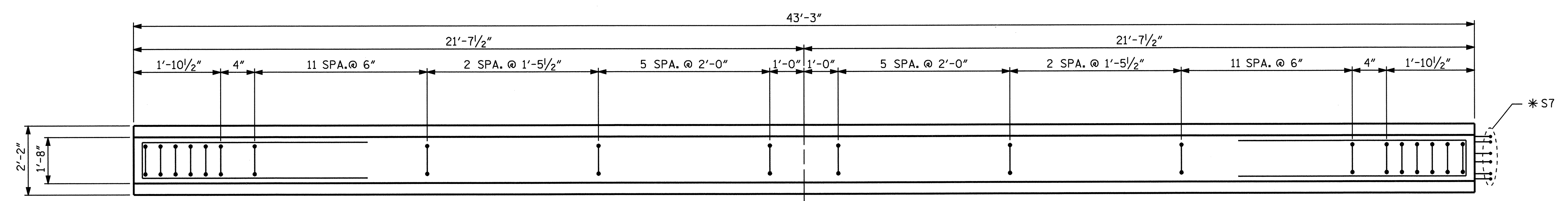


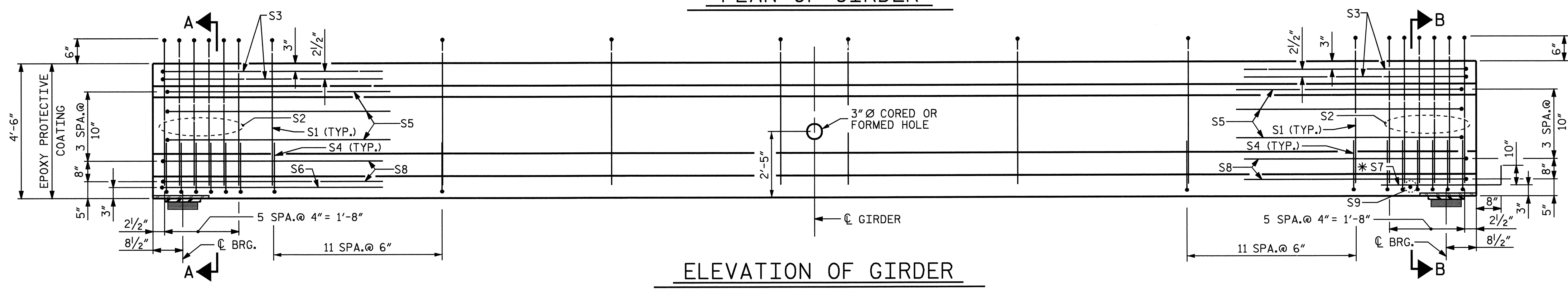
\* FOR S7 BARS, SEE  
 DETAIL "A" OF PRESTRESSED  
 CONCRETE GIRDER CONTINUOUS  
 FOR LIVE LOAD DETAILS  
 SHEET



1/2" Ø LOW RELAXATION STRAND LAYOUT



PLAN OF GIRDER



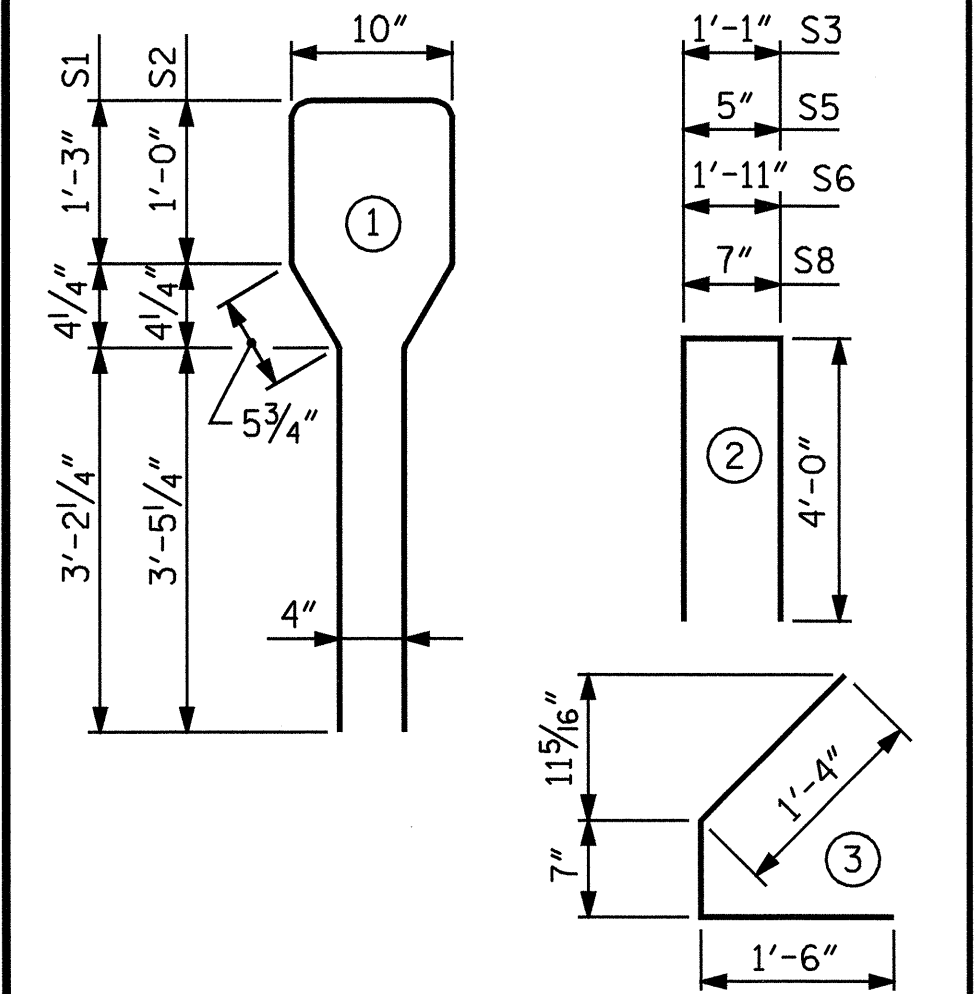
ELEVATION OF GIRDER

1/2" Ø L. R. GRADE 270 STRANDS		
AREA (SQUARE INCHES)	ULTIMATE STRENGTH (LBS. PER STRAND)	APPLIED PRESTRESS (LBS. PER STRAND)
0.153	41,300	30,980

REINFORCING STEEL FOR ONE GIRDER					
BAR	NUMBER	SIZE	TYPE	LENGTH	WEIGHT
S1	38	#4	1	10'-8"	271
S2	12	#6	1	10'-8"	192
S3	4	#4	2	9'-1"	24
S4	72	#4	3	3'-5"	164
S5	6	#4	2	8'-5"	34
S6	1	#4	2	9'-11"	7
*S7	6	#5	STR	3'-8"	23
S8	4	#4	2	8'-7"	23
S9	1	#3	STR	1'-10"	1

\* NOTE: S7 BARS SHALL BE BENT BEFORE SHIPMENT. HEAT BENDING SHALL NOT BE ALLOWED.

BAR TYPES  
 ALL BAR DIMENSIONS ARE OUT-TO-OUT



QUANTITIES FOR ONE GIRDER			
	REINFORCING STEEL	5000.0 PSI CONCRETE	1/2" Ø L.R. STRANDS
	LB.	C.Y.	No.
INT/EXT GIRDER	739	8.8	12

GIRDERS REQUIRED		
NUMBER	LENGTH	TOTAL LENGTH
4	43.25	173.00

PROJECT NO. B-4334  
 DAVIDSON COUNTY  
 STATION: 27+49.00 -L-

SHEET 1 OF 4  
 STATE OF NORTH CAROLINA  
 DEPARTMENT OF TRANSPORTATION  
 RALEIGH  
 AASHTO TYPE IV  
 PRESTRESSED CONCRETE GIRDER  
 CONTINUOUS FOR LIVE LOAD

REVISIONS						SHEET NO.
NO.	BY:	DATE:	NO.	BY:	DATE:	S-10
1			3			TOTAL SHEETS
2			4			34

ASSEMBLED BY : M.M.P./DAD DATE : 10/7/02  
 CHECKED BY : H. T. BARBOUR DATE : 11/02  
 DRAWN BY : RB 2/97 REV. 10/99 MAB/LES  
 CHECKED BY : VP 2/97  
 CADD STANDARD

