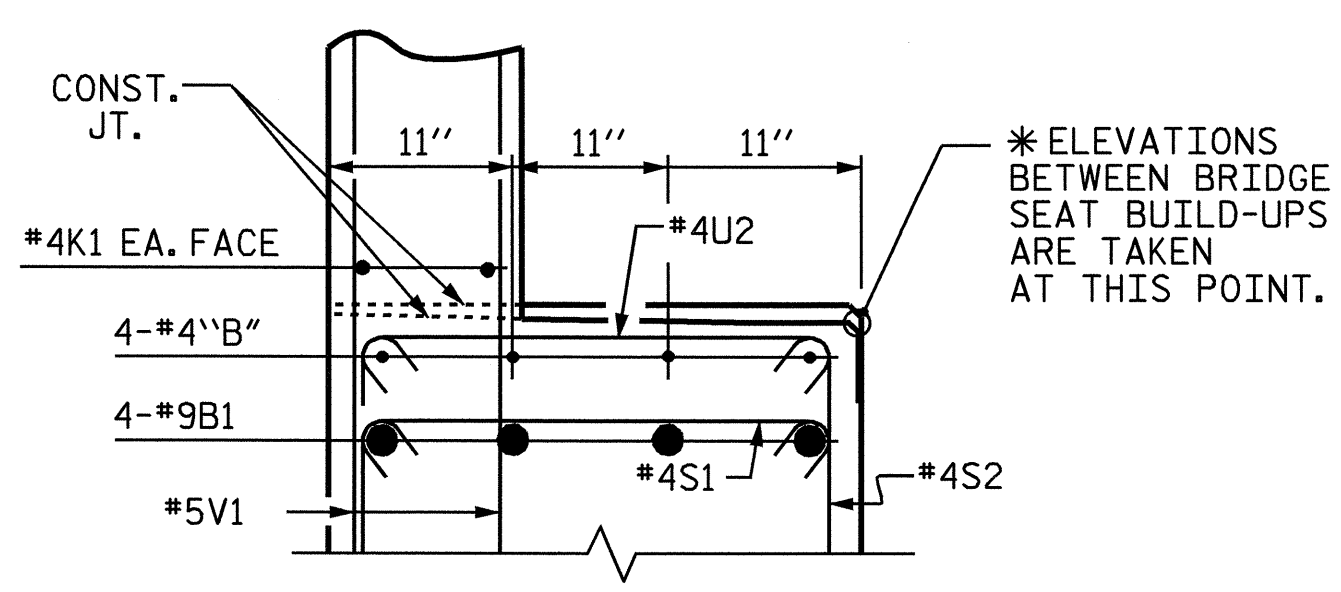
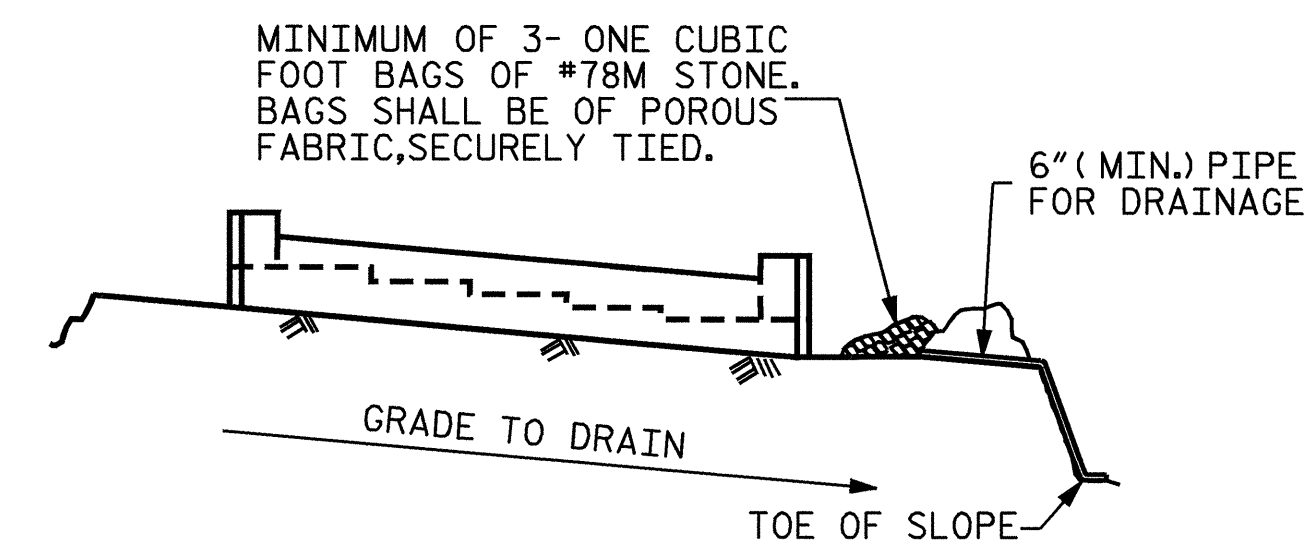


SECTION A-A



SECTION B-B

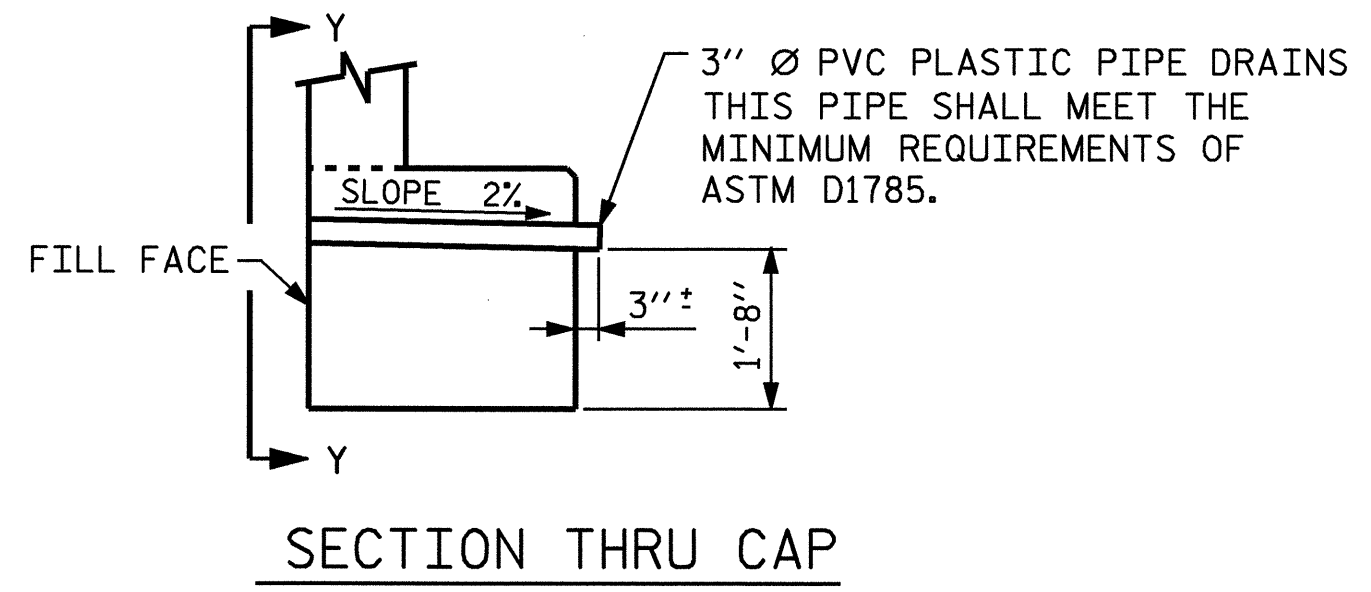


BAGGED STONE AND PIPE SHALL BE PLACED IMMEDIATELY AFTER COMPLETION OF END BENT EXCAVATION. PIPE MAY BE EITHER CONCRETE, CORRUGATED STEEL, CORRUGATED ALUMINUM ALLOY, OR CORRUGATED PLASTIC. PERFORATED PIPE WILL NOT BE ALLOWED.

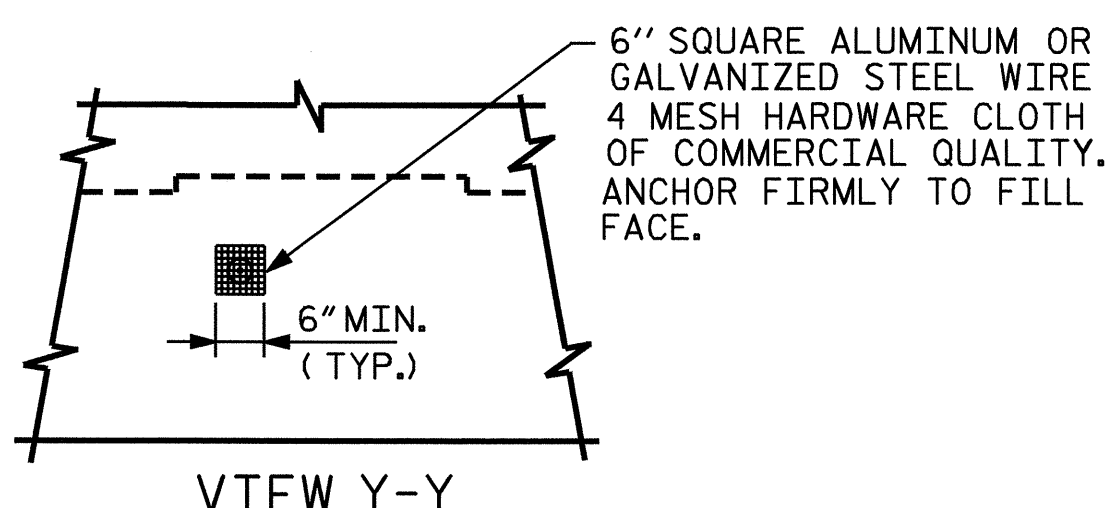
BAGGED STONE SHALL REMAIN IN PLACE UNTIL THE ENGINEER DIRECTS THAT IT BE REMOVED. THE CONTRACTOR SHALL REMOVE AND DISPOSE OF SILT ACCUMULATIONS AT BAGGED STONE WHEN SO DIRECTED BY THE ENGINEER. BAGS SHALL BE REMOVED AND REPLACED WHENEVER THE ENGINEER DETERMINES THAT THEY HAVE DETERIORATED AND LOST THEIR EFFECTIVENESS.

NO SEPARATE PAYMENT WILL BE MADE FOR THIS WORK AND THE ENTIRE COST OF THIS WORK SHALL BE INCLUDED IN THE UNIT CONTRACT PRICE BID FOR THE SEVERAL PAY ITEMS.

**TEMPORARY DRAINAGE AT END BENT**



SECTION THRU CAP

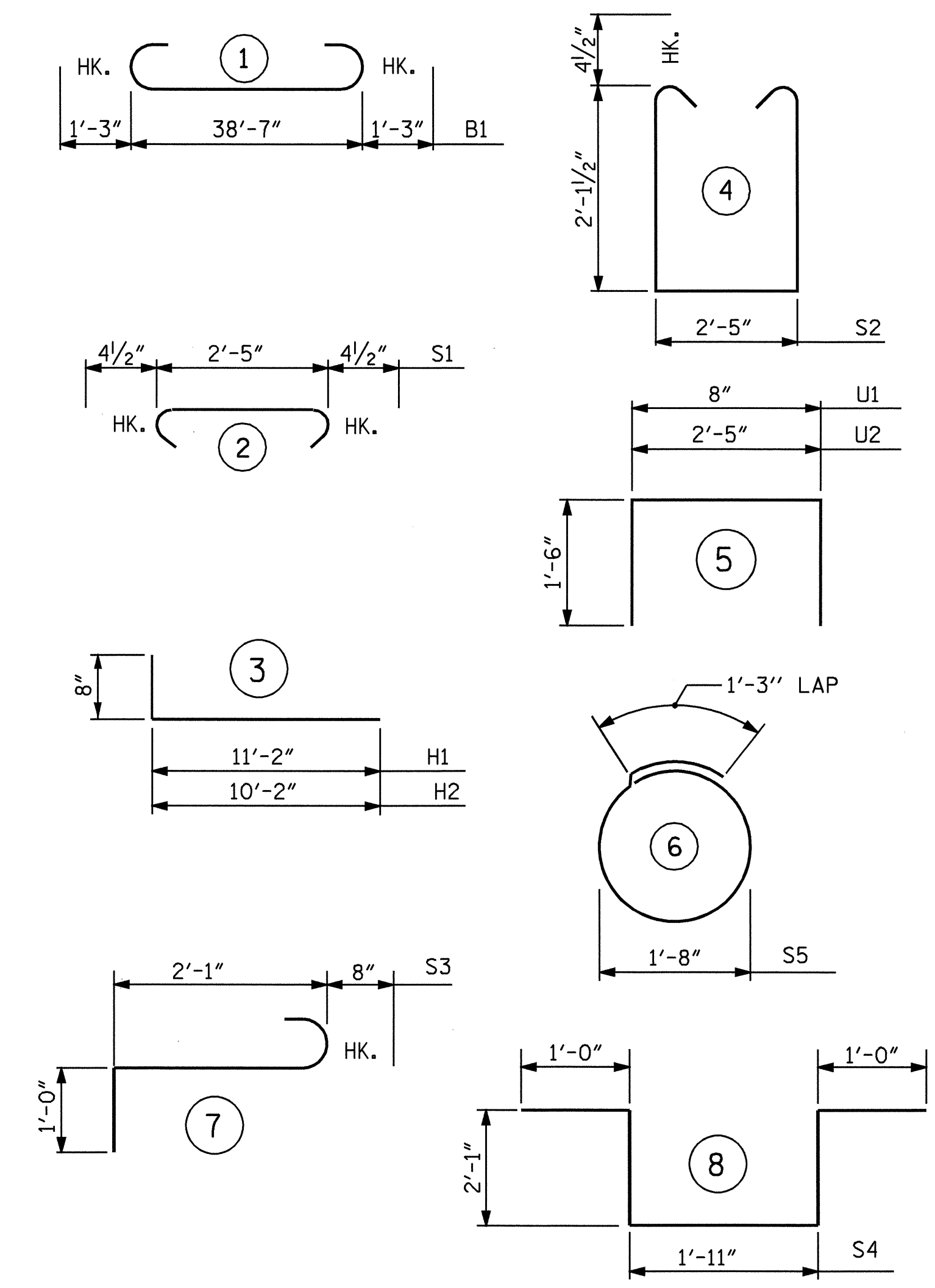


VIEW Y-Y

NOTE: NO SEPARATE PAYMENT WILL BE MADE FOR FURNISHING AND INSTALLING THE PVC PLASTIC PIPE DRAINS, HARDWARE CLOTH AND FASTENERS. THE ENTIRE COST OF THIS WORK SHALL BE INCLUDED IN THE UNIT CONTRACT PRICE FOR THE SEVERAL PAY ITEMS.

**PIPE DRAIN DETAILS**

**BAR TYPES**



ALL BAR DIMENSIONS ARE OUT TO OUT.

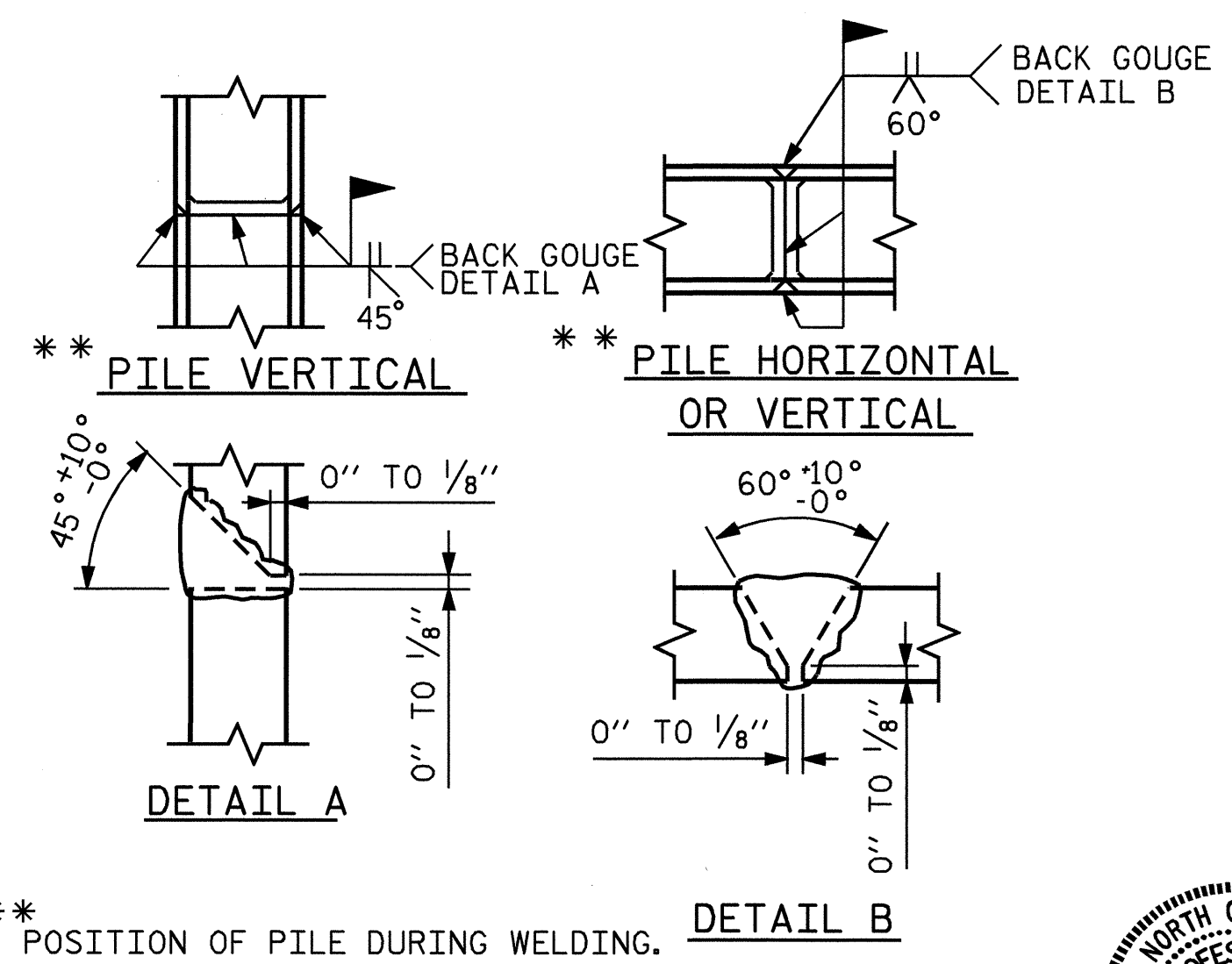
**BILL OF MATERIAL**

END BENT #1					
BAR	NO.	SIZE	TYPE	LENGTH	WEIGHT
B1	8	#9	1	41'-1"	1117
B2	2	#5	STR	38'-9"	81
B3	8	#4	STR	20'-7"	110
B4	10	#4	STR	2'-5"	16
B5	4	#4	STR	16'-8"	45
B6	4	#4	STR	3'-3"	9
H1	22	#5	3	11'-10"	272
H2	20	#5	3	10'-10"	226
K1	10	#4	STR	20'-7"	137
K2	8	#4	STR	2'-6"	13
S1	42	#4	2	3'-2"	89
S2	42	#4	4	7'-5"	208
S3	3	#6	7	3'-9"	17
S4	1	#6	8	8'-1"	12
S5	12	#4	6	6'-6"	52
U1	34	#4	5	3'-8"	83
U2	15	#4	5	5'-5"	54
V1	68	#5	STR	6'-9"	479
V2	30	#5	STR	8'-7"	269
V3	28	#5	STR	7'-11"	231

REINFORCING STEEL = 3520 LBS

CLASS A CONCRETE  
POUR #1 13.4 CU. YDS.  
POUR #2 11.4 CU. YDS.  
TOTAL 24.8 CU. YDS.

HP 12 x 53 STEEL PILES NO. 7 350 FEET



DETAIL A

DETAIL B

**PILE SPLICE DETAILS**

PROJECT NO. B-4334  
DAVIDSON COUNTY  
STATION: 27+49.00 -L-

SHEET 3 OF 3

STATE OF NORTH CAROLINA  
DEPARTMENT OF TRANSPORTATION  
RALEIGH

**SUBSTRUCTURE  
END BENT #1**

REVISIONS				SHEET NO.	
NO.	BY:	DATE:	NO.	BY:	DATE:
1			3		
2			4		

