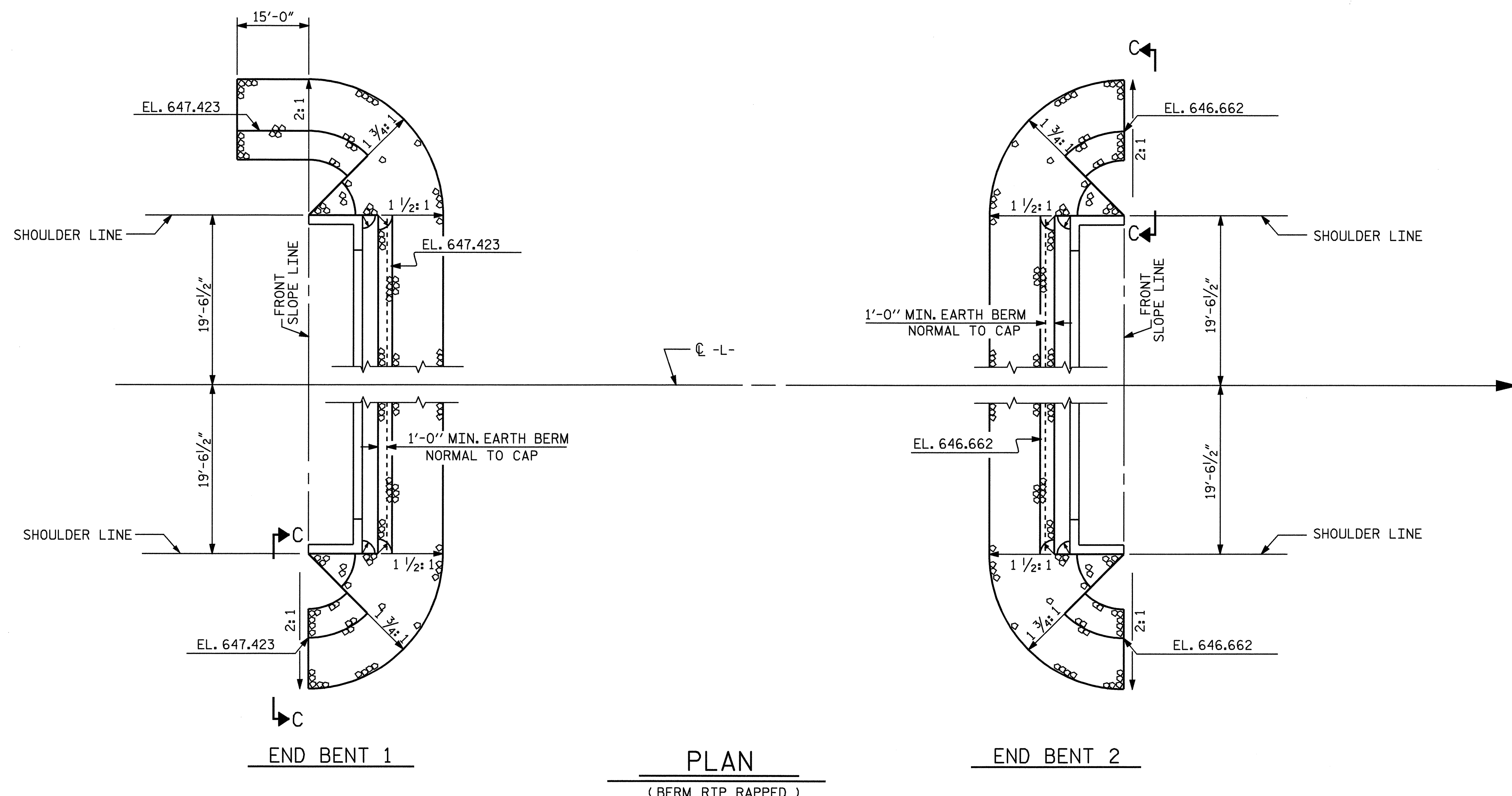
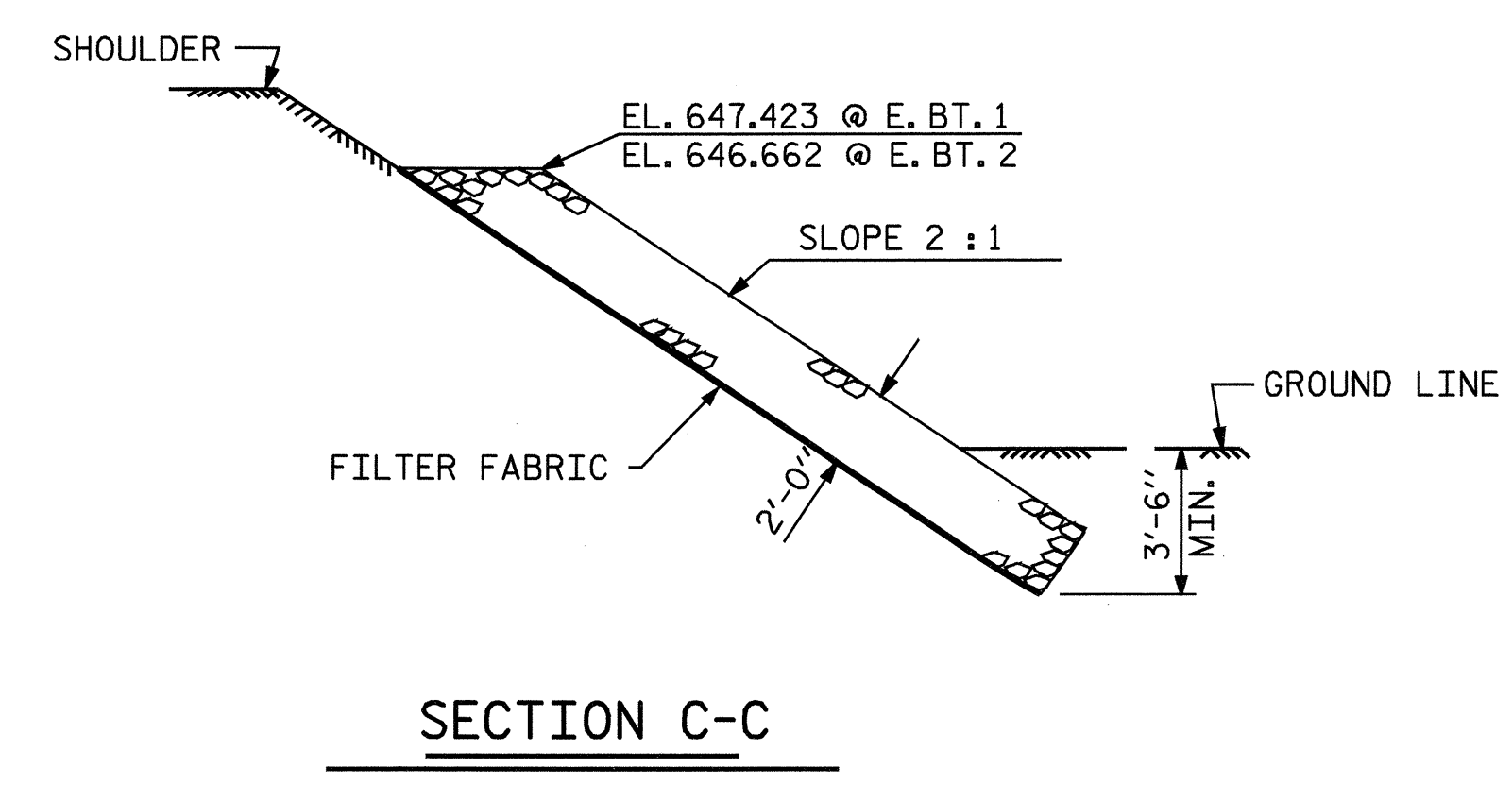
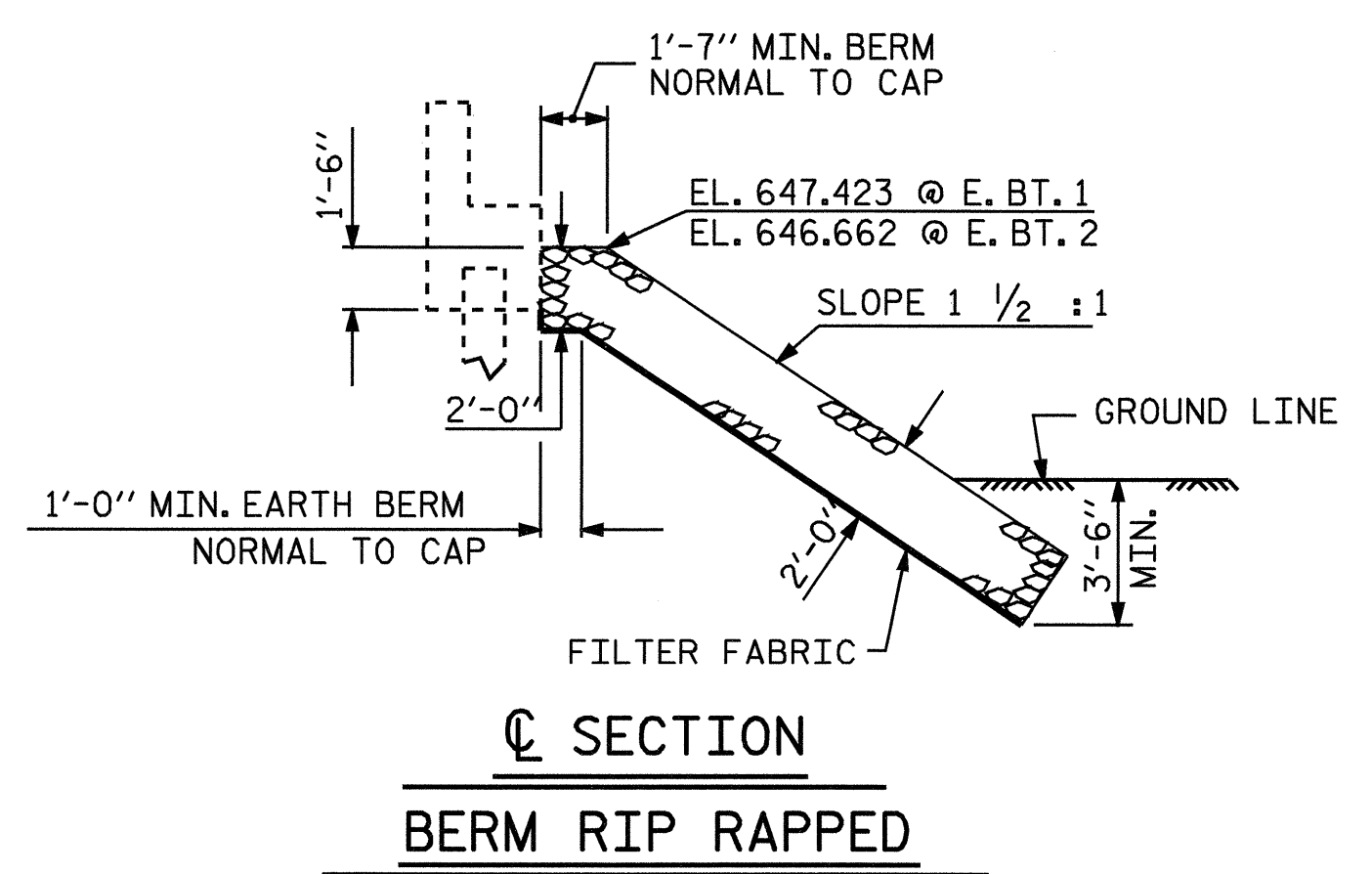


**NOTES :**  
 FOR BERM WIDTH DIMENSIONS, SEE GENERAL DRAWING.



ESTIMATED QUANTITIES		
BRIDGE @ STA. 27+49.00-L-	PLAIN RIP RAP CLASS II	FILTER FABRIC FOR DRAINAGE
	TONS	SQUARE YARDS
END BENT 1	269	299
END BENT 2	232	257
<b>TOTAL</b>	<b>501</b>	<b>556</b>

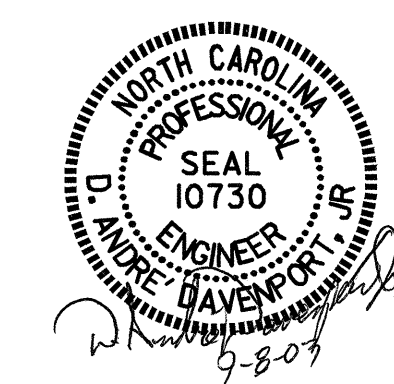


PROJECT NO. B-4334  
DAVIDSON COUNTY  
 STATION: 27+49.00 -L-

STATE OF NORTH CAROLINA  
 DEPARTMENT OF TRANSPORTATION  
 RALEIGH

**STANDARD**  
**== RIP RAP DETAILS ==**

REVISIONS						SHEET NO.
NO.	BY:	DATE:	NO.	BY:	DATE:	TOTAL SHEETS
1			3			34
2			4			34



ASSEMBLED BY : M.M.PARSON/GMP DATE : 9/04/03  
 CHECKED BY : D.G.ELY/DAD DATE : 9/04/03  
 DRAWN BY : FCJ 2/88 REV. 7/17/98 REK/RWW  
 CHECKED BY : ARB 8/88 REV. 8/16/99 RWW/LES  
 REV. 10/17/00 RWW/LES