

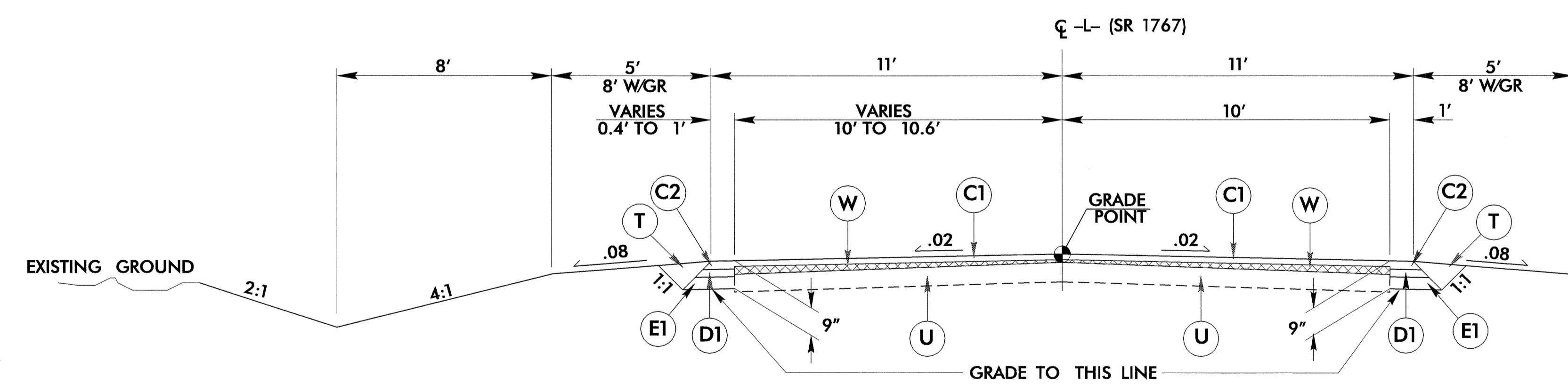
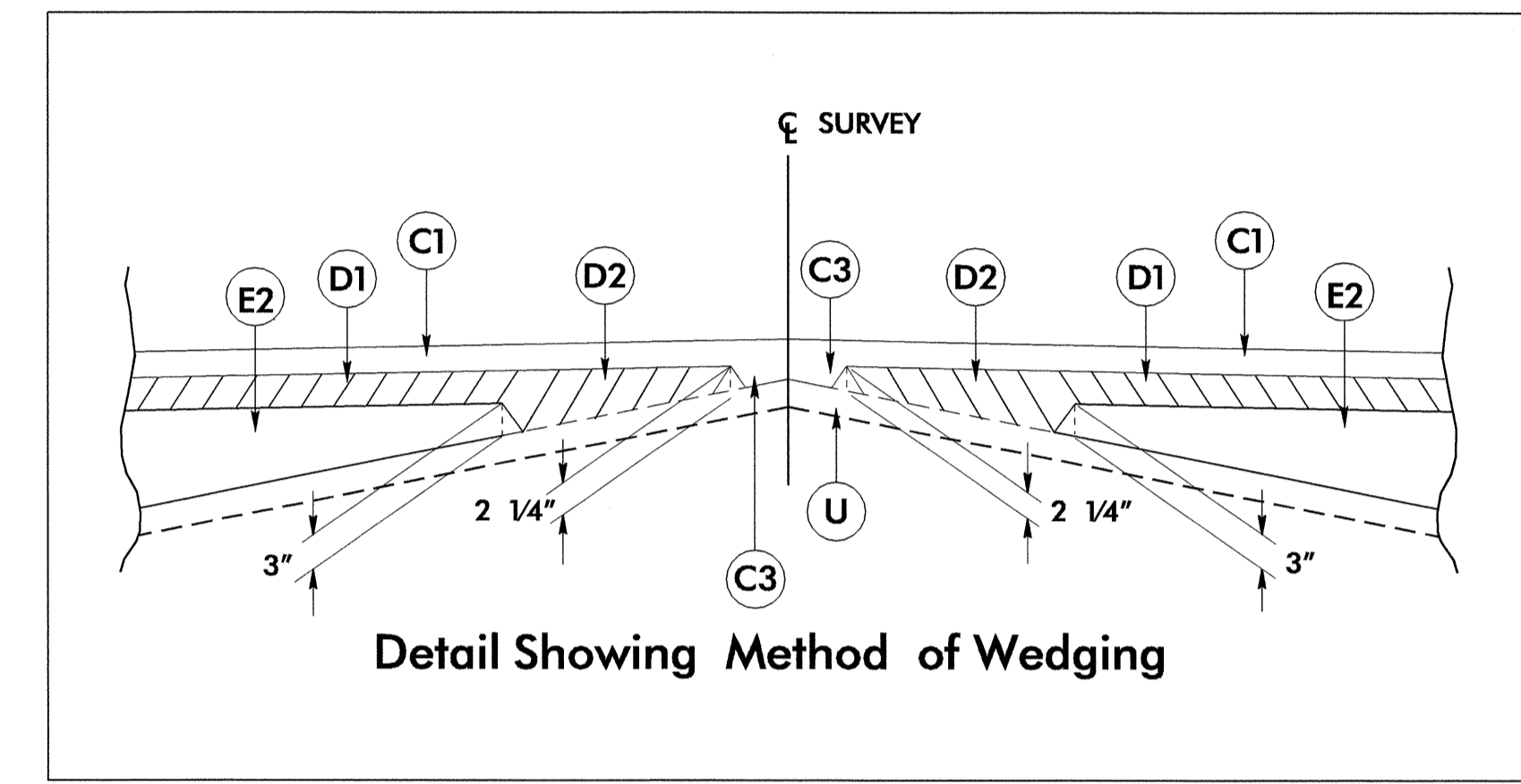
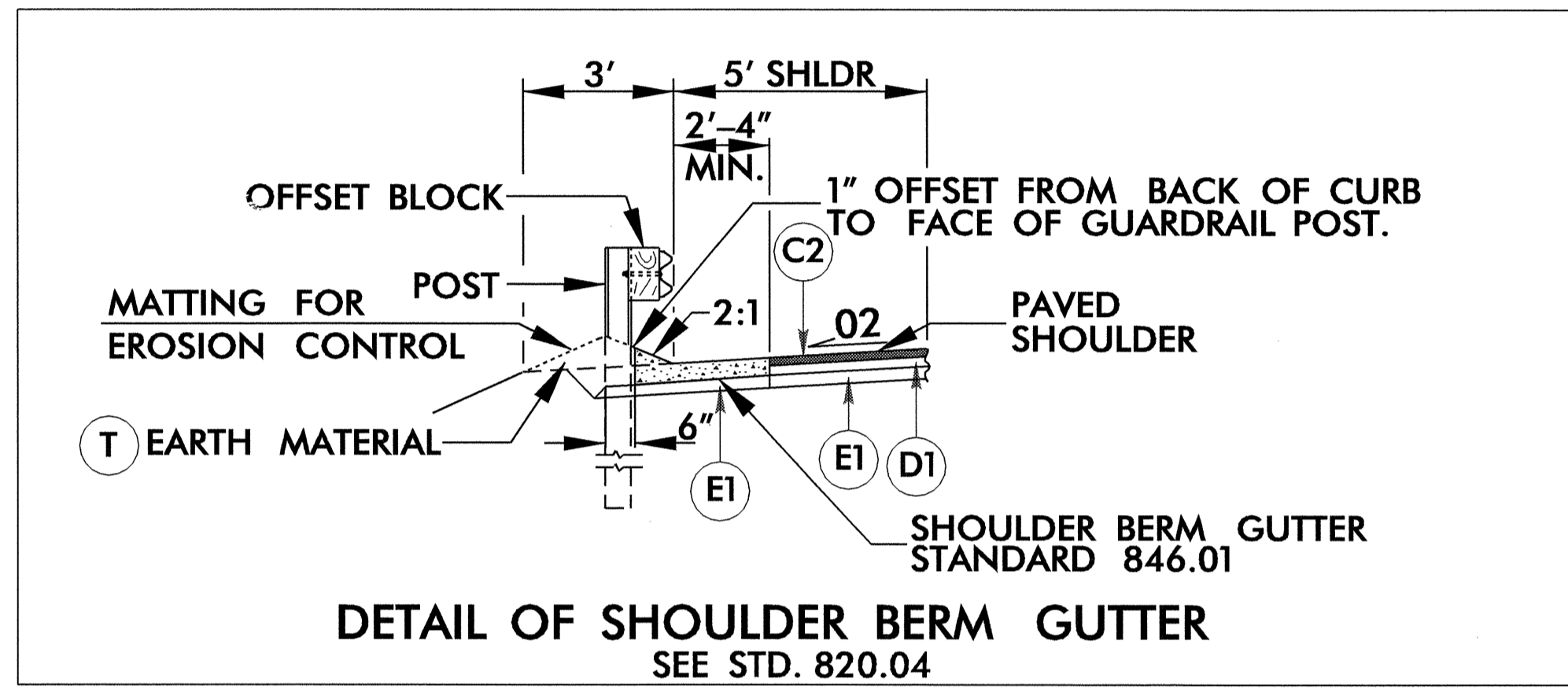
6/2/99

PAVEMENT SCHEDULE

C1	PROP. APPROX. 1 1/4" ASPHALT CONCRETE SURFACE COURSE, TYPE SF9.5A, AT AN AVERAGE RATE OF 137.5 LBS. PER SQ. YD.	E1	PROP. APPROX. 4" ASPHALT CONCRETE BASE COURSE, TYPE B25.0B, AT AN AVERAGE RATE OF 456 LBS. PER SQ. YD.
C2	PROP. APPROX. 2 1/2" ASPHALT CONCRETE SURFACE COURSE, TYPE SF9.5A, AT AN AVERAGE RATE OF 137.5 LBS. PER SQ. YD. IN EACH OF TWO LAYERS.	E2	PROP. VAR. DEPTH ASPHALT CONCRETE BASE COURSE, TYPE B25.0B, AT AN AVERAGE RATE OF 114 LBS. PER SQ. YD. PER 1" DEPTH. TO BE PLACED IN LAYERS NOT LESS THAN 3" IN DEPTH OR GREATER THAN 5 1/2" IN DEPTH.
C3	PROP. VAR. DEPTH ASPHALT CONCRETE SURFACE COURSE, TYPE SF9.5A, AT AN AVERAGE RATE OF 110 LBS. PER SQ. YD. PER 1" DEPTH. TO BE PLACED IN LAYERS NOT TO EXCEED 1 1/2" IN DEPTH.	T	EARTH MATERIAL.
D1	PROP. APPROX. 2 1/2" ASPHALT CONCRETE INTERMEDIATE COURSE, TYPE I19.0B, AT AN AVERAGE RATE OF 285 LBS. PER SQ. YD.	U	EXISTING PAVEMENT.
D2	PROP. VAR. DEPTH ASPHALT CONCRETE INTERMEDIATE COURSE, TYPE I19.0B, AT AN AVERAGE RATE OF 114 LBS. PER SQ. YD. PER 1" DEPTH. TO BE PLACED IN LAYERS NOT LESS THAN 2 1/4" IN DEPTH OR GREATER THAN 4" IN DEPTH.	W	VARIABLE DEPTH ASPHALT PAVEMENT (SEE STANDARD WEDGING DETAIL).

NOTE: PAVEMENT EDGE SLOPES ARE 1:1 UNLESS SHOWN OTHERWISE.

PROJECT REFERENCE NO. B-4058	SHEET NO. 2
ROADWAY DESIGN ENGINEER <i>James E. Coker</i> 14571 10/13/04	PAVEMENT DESIGN ENGINEER <i>Don-Chi Chen</i> 13789 10/13/04



TYPICAL SECTION NO. 1

NOTE: TRANSITION FROM EXISTING PAVEMENT TO T.S. 1 -L- STA. 12+50.00 TO 13+00.00

VAR. 2:1 TO 3:1 SEE X-SECTIONS

USE TYPICAL SECTION NO. 1

- L- STA. 13+00.00 TO STA. 13+25.00
- L- STA. 20+12.00 TO STA. 20+50.00

NOTE: TRANSITION FROM T.S. 1 TO EXISTING PAVEMENT -L- STA. 20+50.00 TO 21+00.00

06-AUG-2004 08:53
R:\Roadway\Project\B4058\rd-07\typ-1.dgn
D:\garden\rd-07\typ-1.dgn