

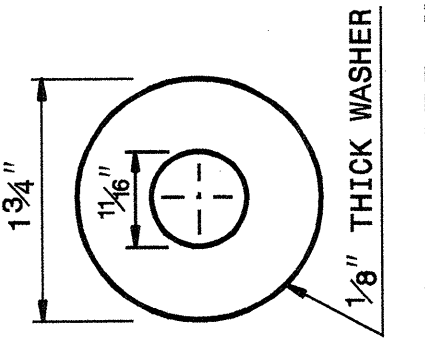
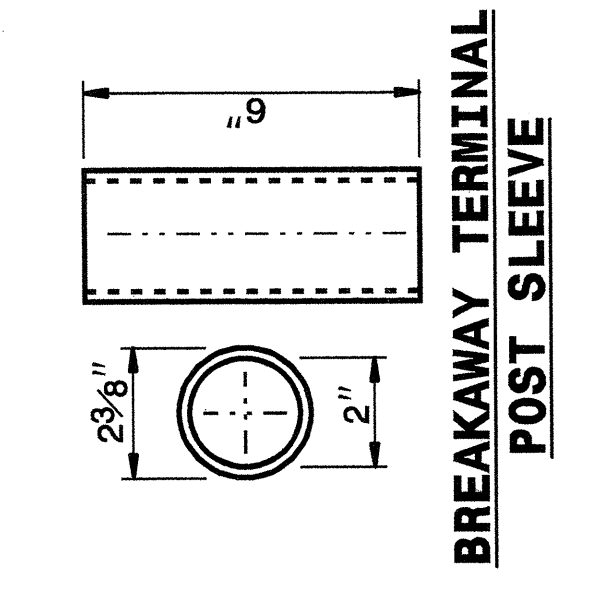
28-APR-2004 11:01
 C:\Users\jrd\Documents\Projects\stds\02\stds to Special Details\english\862d02\0862d02.dgn
 AT 05:21:26

5/14/99

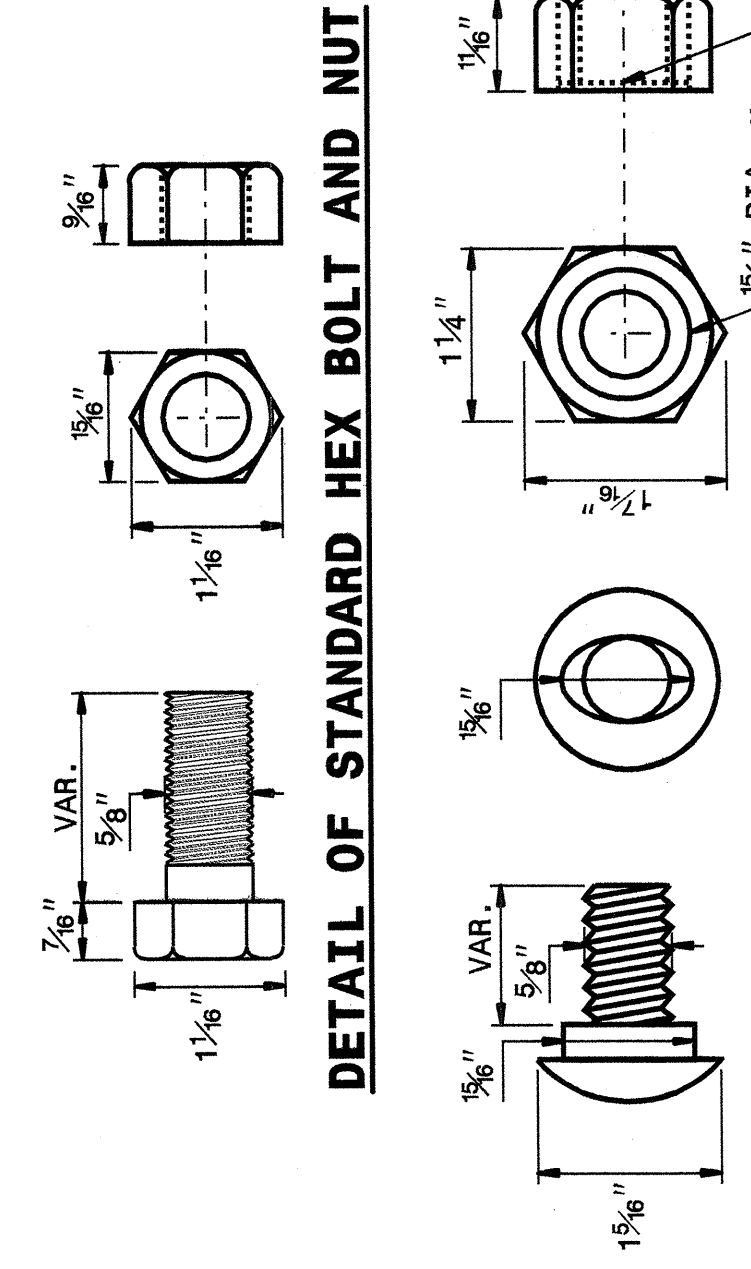
STATE OF NORTH CAROLINA
 DEPT. OF TRANSPORTATION
 DIVISION OF HIGHWAYS
 RALEIGH, N.C.

ENGLISH DETAIL DRAWING FOR
GUARDRAIL INSTALLATION

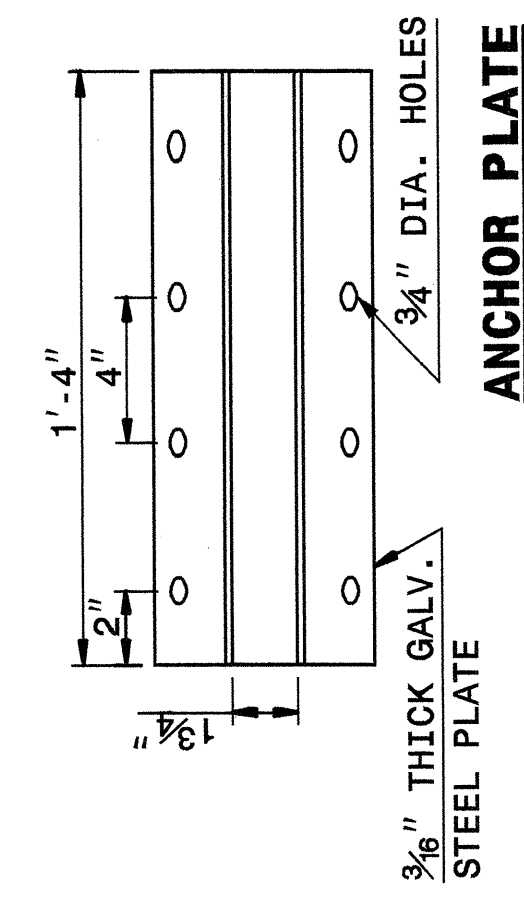
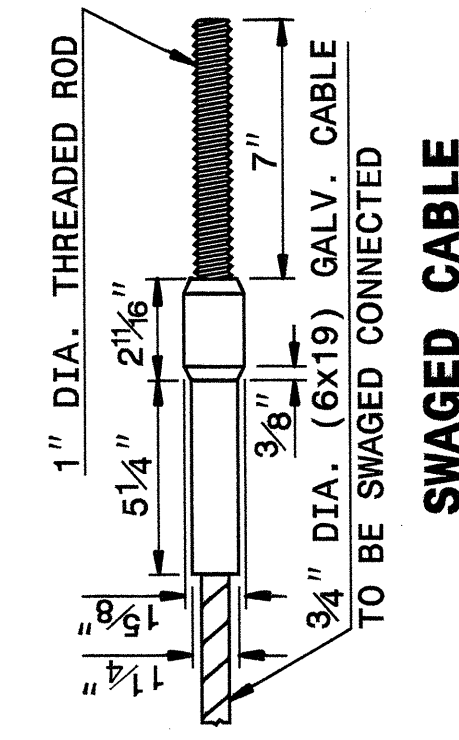
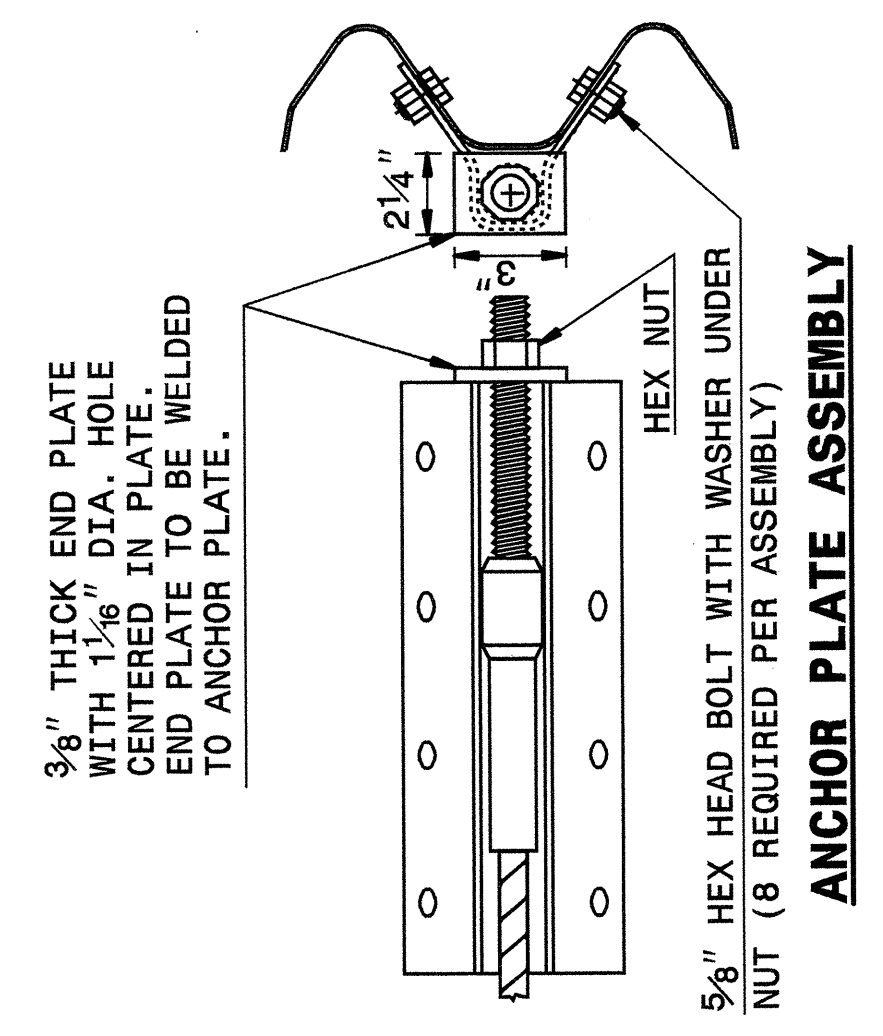
SHEET 5 OF 7
862D02



DETAIL OF STANDARD WASHER
 STANDARD WASHER: TYPICAL USE UNDER NUT WITH WOOD POST



DETAIL OF BUTTON HEAD BOLT AND NUT



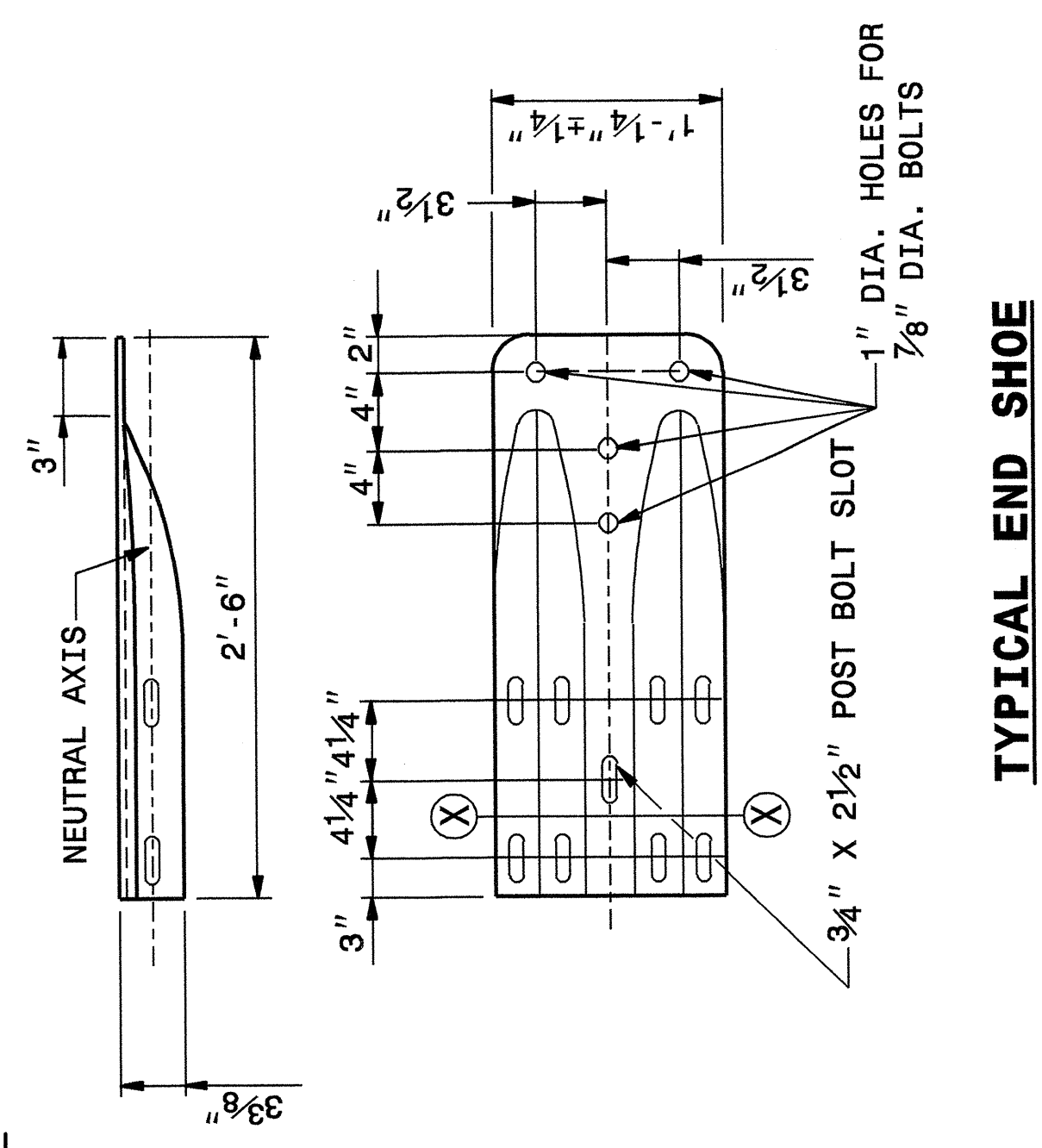
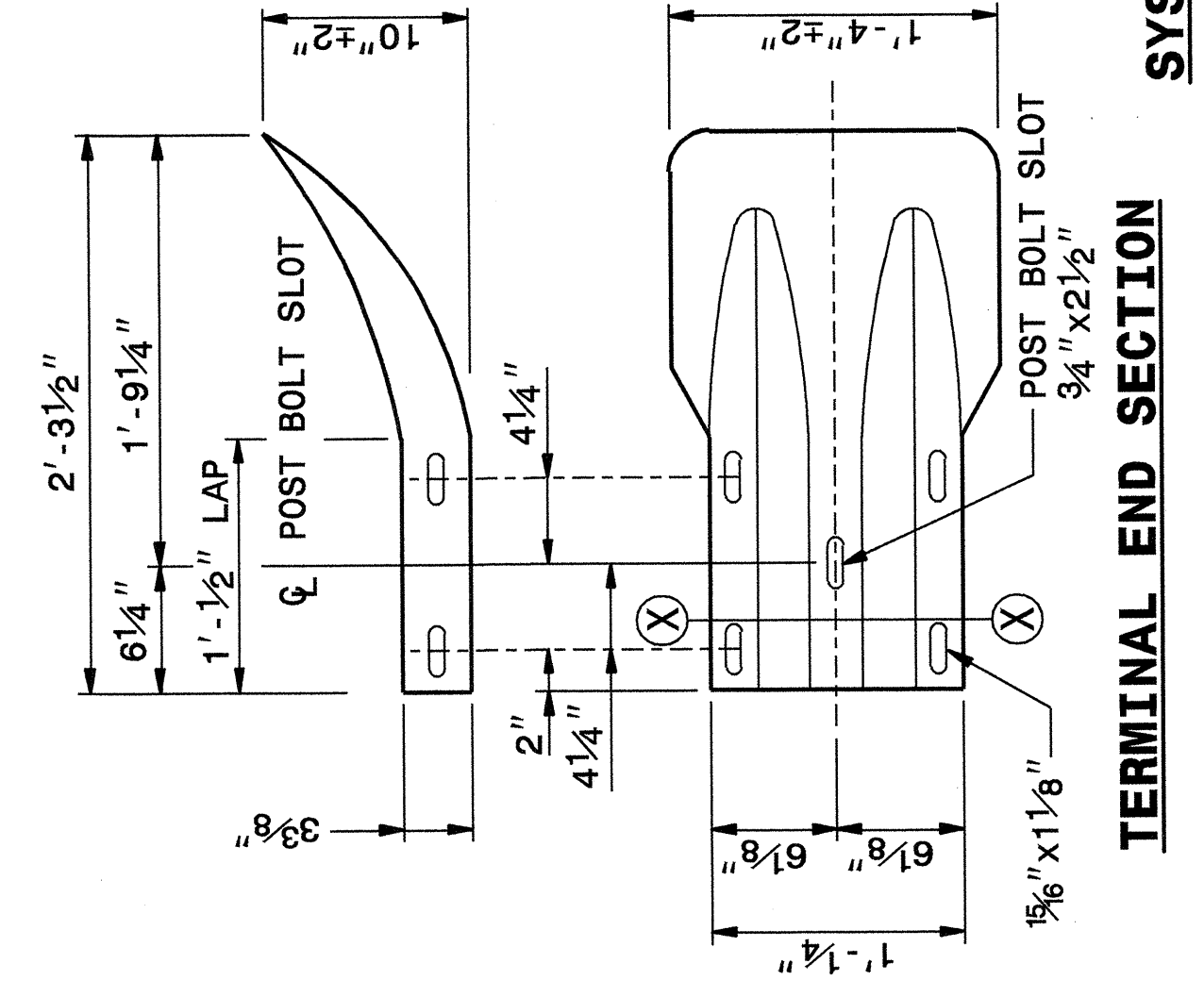
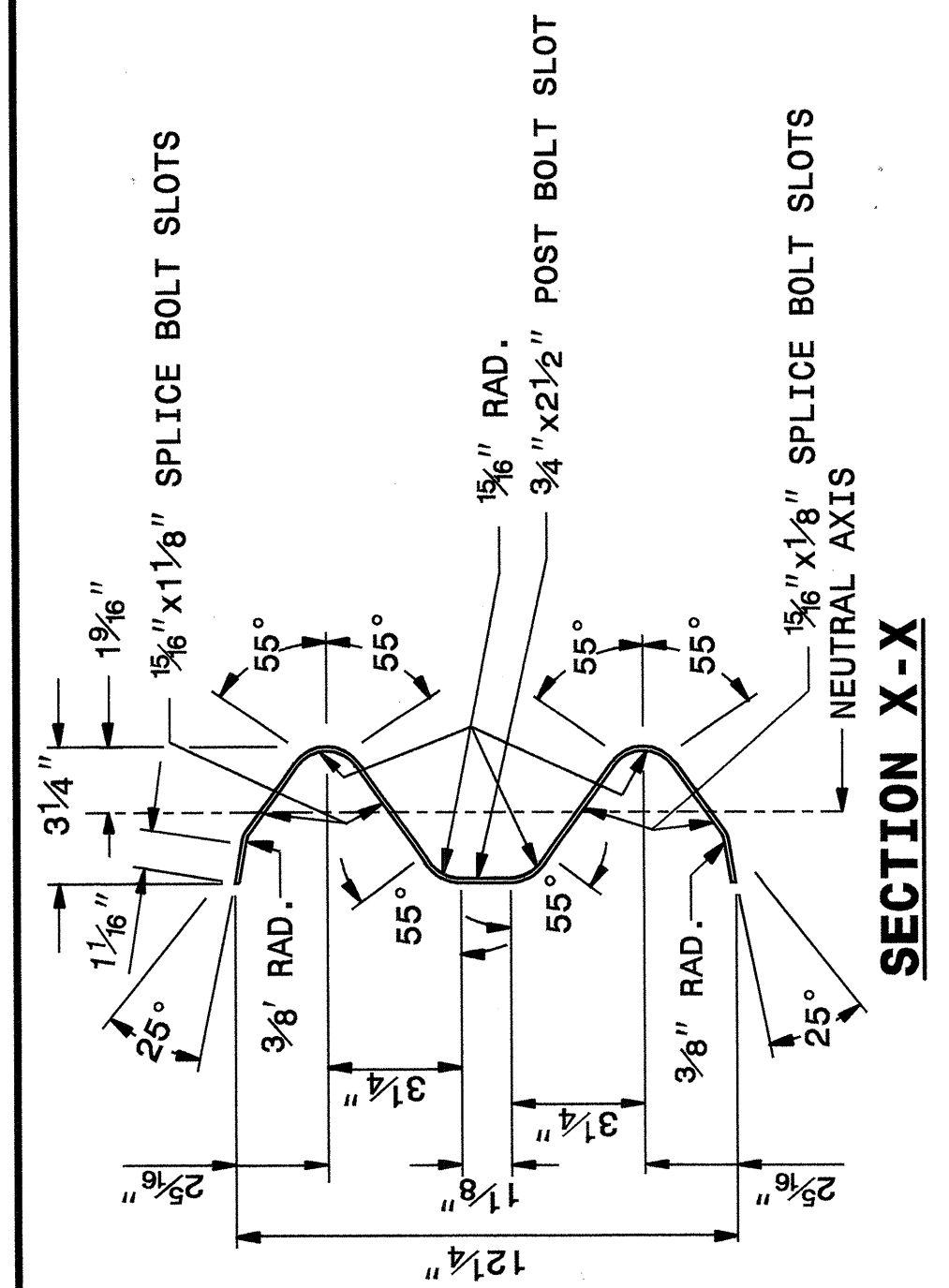
CABLE ASSEMBLY

SYSTEM PARTS

STATE OF NORTH CAROLINA
 DEPT. OF TRANSPORTATION
 DIVISION OF HIGHWAYS
 RALEIGH, N.C.

ENGLISH DETAIL DRAWING FOR
GUARDRAIL INSTALLATION

SHEET 6 OF 7
862D02

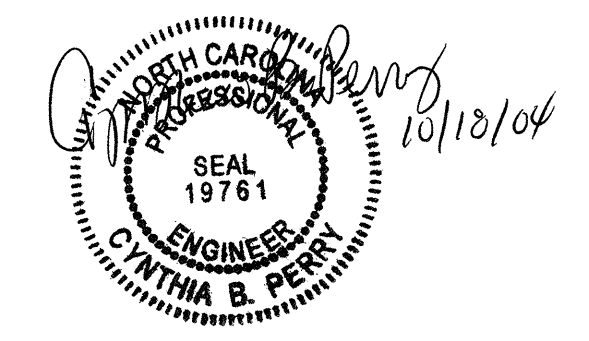


SYSTEM PARTS - GENERAL USE

DESIGN SERVICES UNIT
 STANDARDS AND SPECIAL DESIGN
 Office 919-250-4128 FAX 919-250-4119

SEE PLATE FOR TITLE

ORIGINAL BY: 2002 STD.862.02 DATE:
 MODIFIED BY: E.E. WARD DATE: 02-09-03
 CHECKED BY: DATE: 4-29-04
 FILE SPEC.: /usr/stds/02stdetail/english/862d02/862d02.dgn



STATE OF NORTH CAROLINA
 DEPT. OF TRANSPORTATION
 DIVISION OF HIGHWAYS
 RALEIGH, N.C.

ENGLISH DETAIL DRAWING FOR
GUARDRAIL INSTALLATION

SHEET 5 OF 7
862D02

STATE OF NORTH CAROLINA
 DEPT. OF TRANSPORTATION
 DIVISION OF HIGHWAYS
 RALEIGH, N.C.

ENGLISH DETAIL DRAWING FOR
GUARDRAIL INSTALLATION

SHEET 6 OF 7
862D02