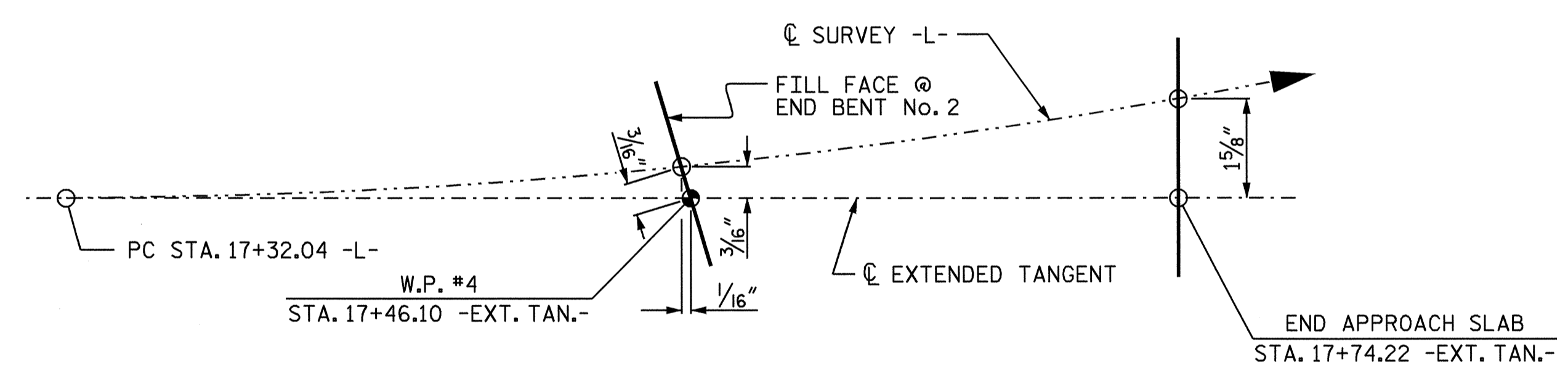


FOUNDATION LAYOUT
 (DIMENSIONS LOCATING PILES ARE TO THE PILE CENTERLINE AT THE BOTTOM OF THE CAP)



EXTENDED TANGENT LAYOUT

NOTE: THE EFFECTS OF THE HORIZONTAL CURVE SHALL BE NEGLECTED IN THE CONSTRUCTION OF THIS BRIDGE AND APPROACH SLAB. THE BRIDGE IS TO BE BUILT ALONG THE TANGENT AND EXTENDED TANGENT BETWEEN WORK POINTS.

NOTES:

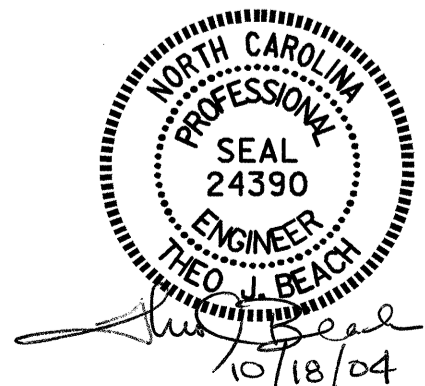
- THE DRILLED PIERS AT BENT No.1 AND BENT No. 2 HAVE BEEN DESIGNED FOR BOTH SKIN FRICTION AND TIP BEARING. THE REQUIRED TIP BEARING CAPACITY IS 25 TSF.
- THE REQUIRED TIP BEARING CAPACITY AT BENT No.1 AND BENT No. 2 SHALL BE VERIFIED.
- DRILLED PIERS FOR BENT No.1 HAVE BEEN DESIGNED FOR AN APPLIED LOAD OF 119.5 TONS EACH AT THE TOP OF THE COLUMN.
- DRILLED PIERS FOR BENT No. 2 HAVE BEEN DESIGNED FOR AN APPLIED LOAD OF 136.5 TONS EACH AT THE TOP OF THE COLUMN.
- DRILLED PIERS AT BENT No.1 SHALL EXTEND TO AN ELEVATION NO HIGHER THAN 486 FT. (LEFT) AND 480 FT. (RIGHT) AND SATISFY THE REQUIRED TIP BEARING CAPACITY.
- DRILLED PIERS AT BENT No. 2 SHALL EXTEND TO AN ELEVATION NO HIGHER THAN 485 FT. AND SATISFY THE REQUIRED TIP BEARING CAPACITY.

- FOR PERMANENT STEEL CASING, SEE SPECIAL PROVISION FOR DRILLED PIERS.
- PERMANENT STEEL CASING IS REQUIRED FOR DRILLED PIERS AT BENT No.1 AND BENT No. 2. THE CASING SHALL NOT EXTEND BELOW THE FOLLOWING ELEVATIONS WITHOUT THE ENGINEER'S PERMISSION:
 BENT No.1 (LEFT) = 494 FT. BENT No.1 (RIGHT) = 489 FT.
 BENT No. 2 (LEFT) = 495 FT. BENT No. 2 (RIGHT) = 497 FT.
- INSTALL PERMANENT STEEL CASING AT BENT No.1 AND BENT No. 2 BY VIBRATING, SCREWING, OR DRIVING THE CASING BEFORE EXCAVATING OR DISTURBING ANY MATERIAL BELOW ELEVATION 506 FT.
- THE SCOUR CRITICAL ELEVATION FOR BENT No.1 AND BENT No. 2 IS 501 FT. THE SCOUR CRITICAL ELEVATIONS ARE FOR USE BY MAINTENANCE FORCES TO MONITOR POSSIBLE SCOUR PROBLEMS DURING THE LIFE OF THE STRUCTURE.
- FOR DRILLED PIERS, SEE SPECIAL PROVISIONS.

- SPT TESTING IS NOT REQUIRED TO DETERMINE THE TIP BEARING CAPACITY OF THE DRILLED PIERS AT BENT No.1 AND BENT No. 2.
- SID INSPECTIONS ARE REQUIRED TO DETERMINE THE BOTTOM CLEANLINESS OF THE DRILLED PIERS AT BENT No.1 AND BENT No. 2. SEE DRILLED PIERS SPECIAL PROVISION.
- CSL TUBES ARE REQUIRED AND CSL TESTING MAY BE REQUIRED FOR THE DRILLED PIERS AT BENT No.1 AND BENT No. 2. SEE SPECIAL PROVISION FOR CROSSHOLE SONIC LOGGING.
- PILES FOR END BENT No.1 AND END BENT No. 2 SHALL BE DRIVEN TO A MINIMUM BEARING CAPACITY OF 50 TONS EACH.
- WHEN DRIVING PILES, THE MAXIMUM BLOW COUNT SHALL NOT BE EXCEEDED.
- CONTINUED ON SHEET 3 OF 3.

PROJECT NO. B-4058
CASWELL COUNTY
 STATION: 16+75.55 -L-

SHEET 2 OF 3
 STATE OF NORTH CAROLINA
 DEPARTMENT OF TRANSPORTATION
 RALEIGH
GENERAL DRAWING
 BRIDGE OVER NORTH HYCO
 CREEK ON SR 1767
 (GUN POOLE ROAD)
 BETWEEN NC 119 AND SR 1765



REVISIONS						SHEET NO. S-2 TOTAL SHEETS 25
NO.	BY:	DATE:	NO.	BY:	DATE:	
1			3			
2			4			

DRAWN BY : P.C. BREWER DATE : 6/10/04
 CHECKED BY : S.B. WILLIAMS DATE : 7/22/04