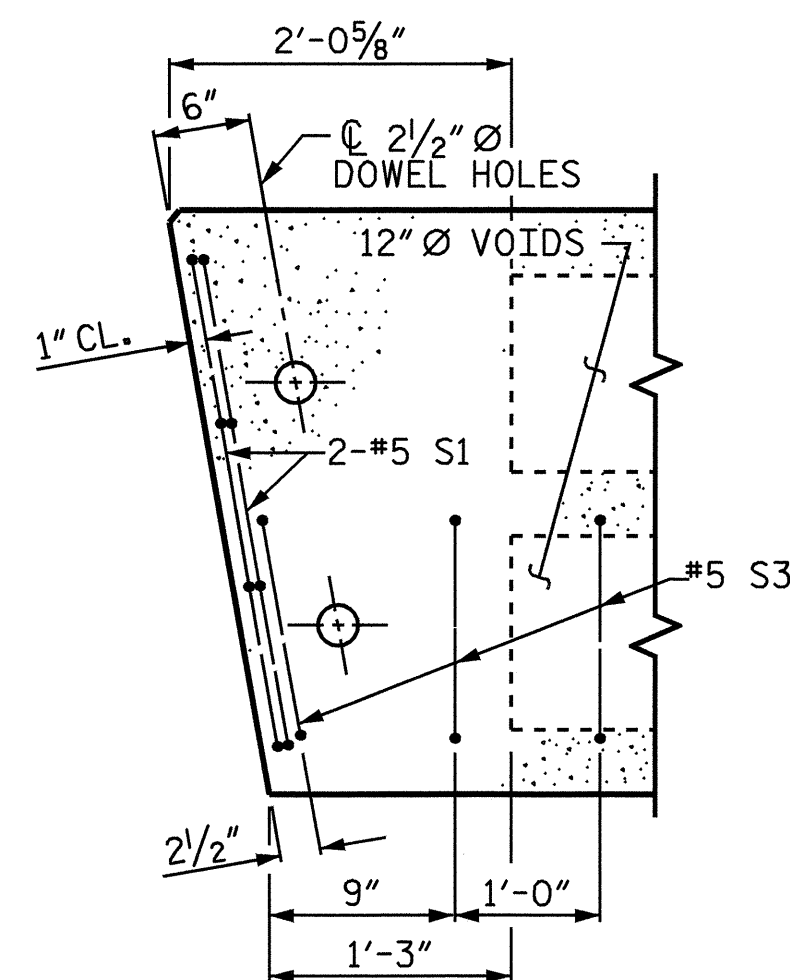
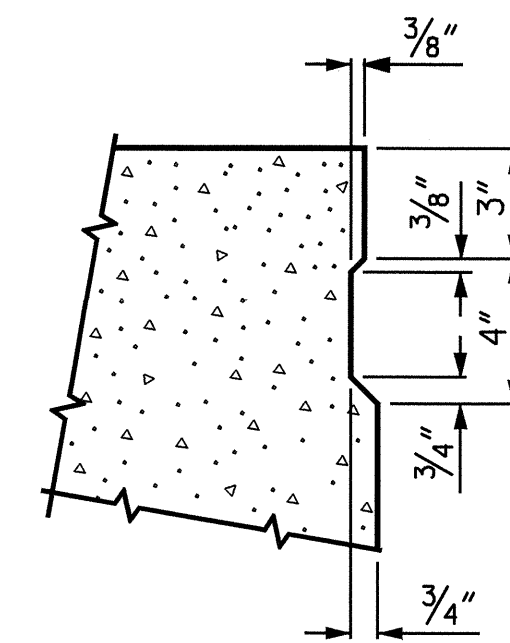


TYPICAL SECTION



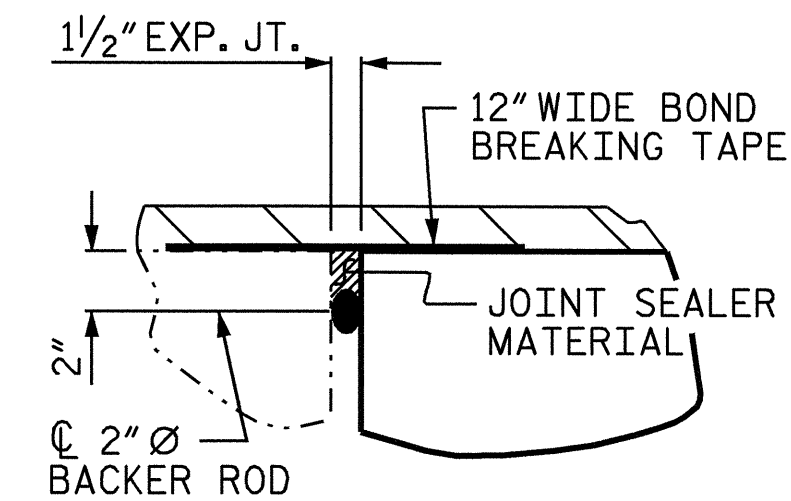
PART PLAN-EXTERIOR SECTION

NOTE: EXTERIOR SECTION SHOWN-INTERIOR SECTION SIMILAR EXCEPT OMIT S3 BARS.

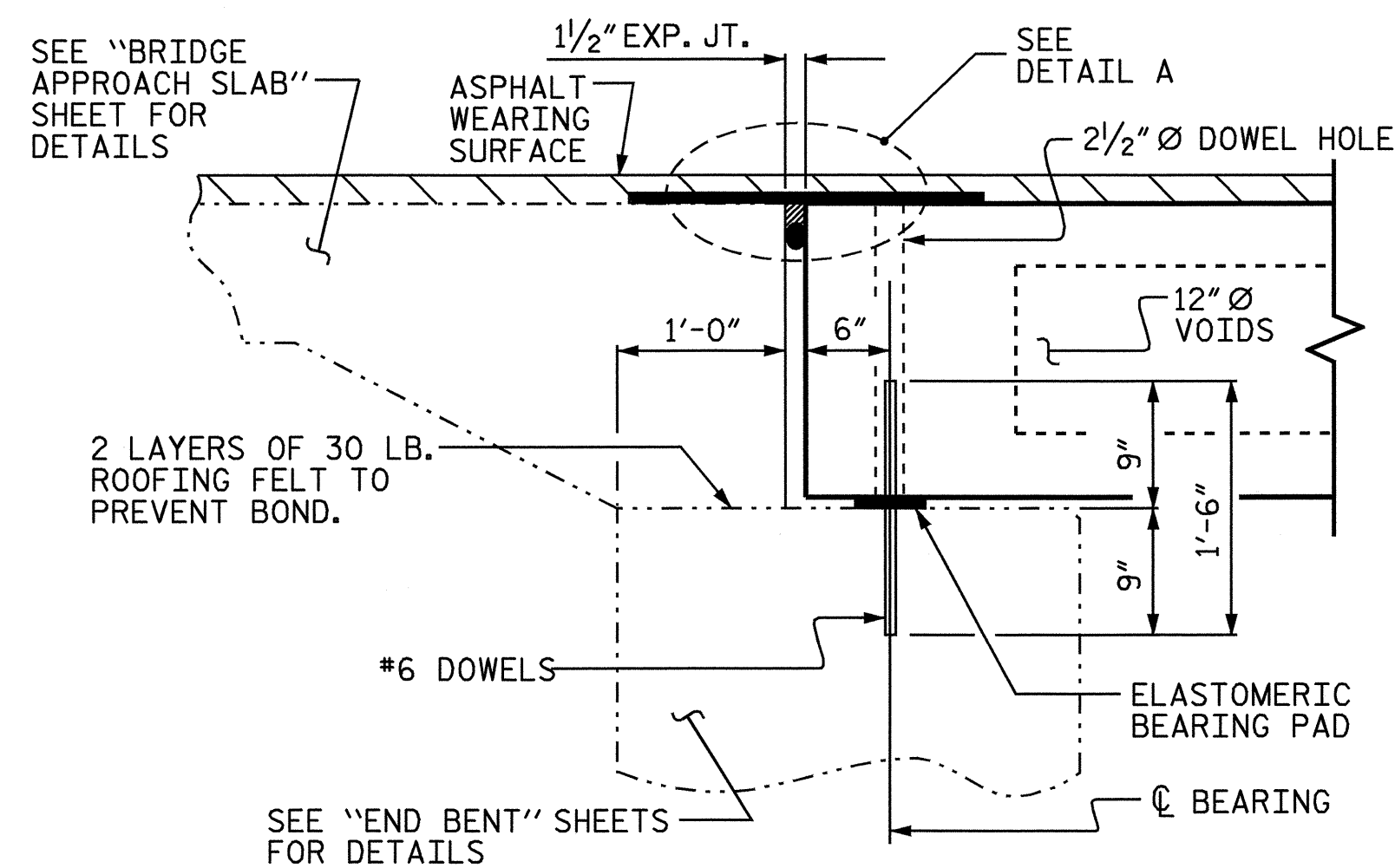


SHEAR KEY DETAIL

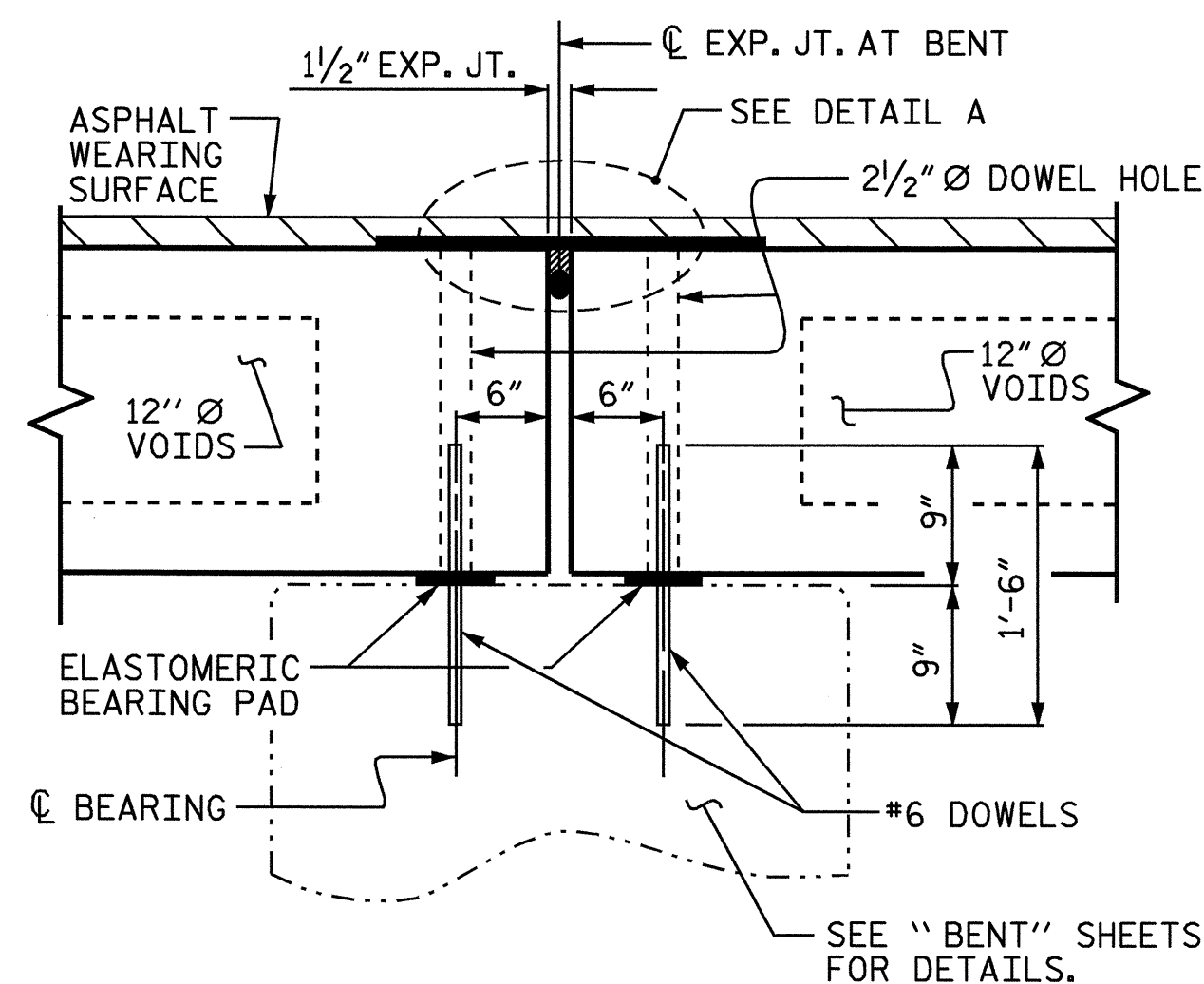
NOTE: OMIT SHEAR KEY ON OUTSIDE FACE OF EXTERIOR CORED SLABS.



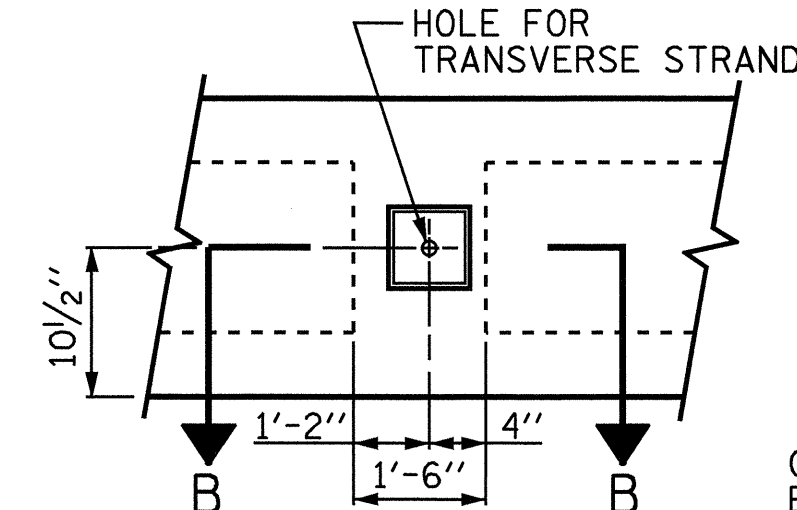
DETAIL A



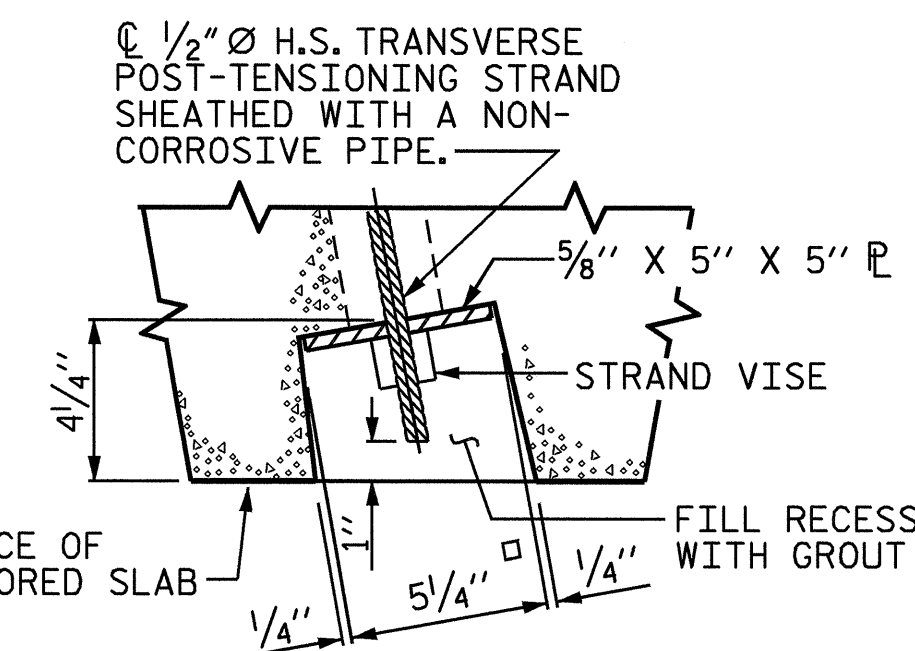
SECTION AT END BENT



SECTION AT BENT



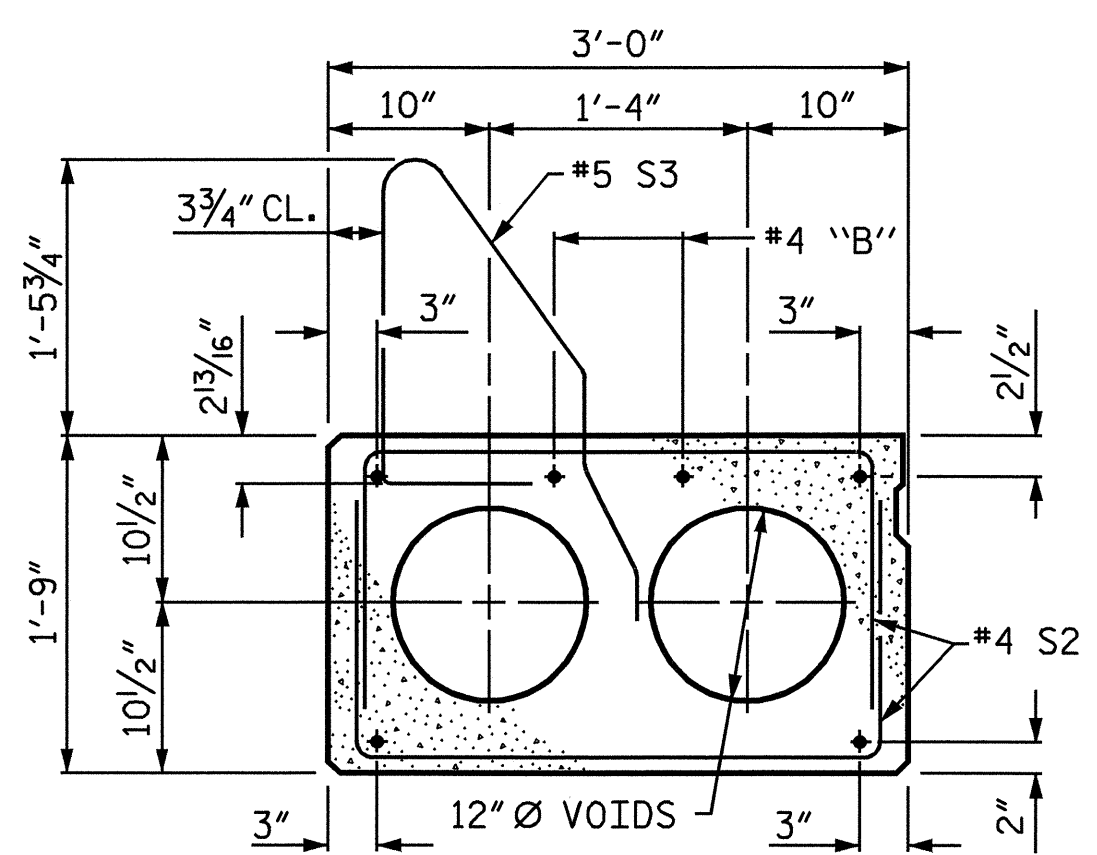
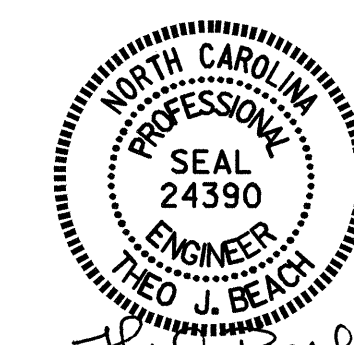
ELEVATION VIEW



SECTION B-B

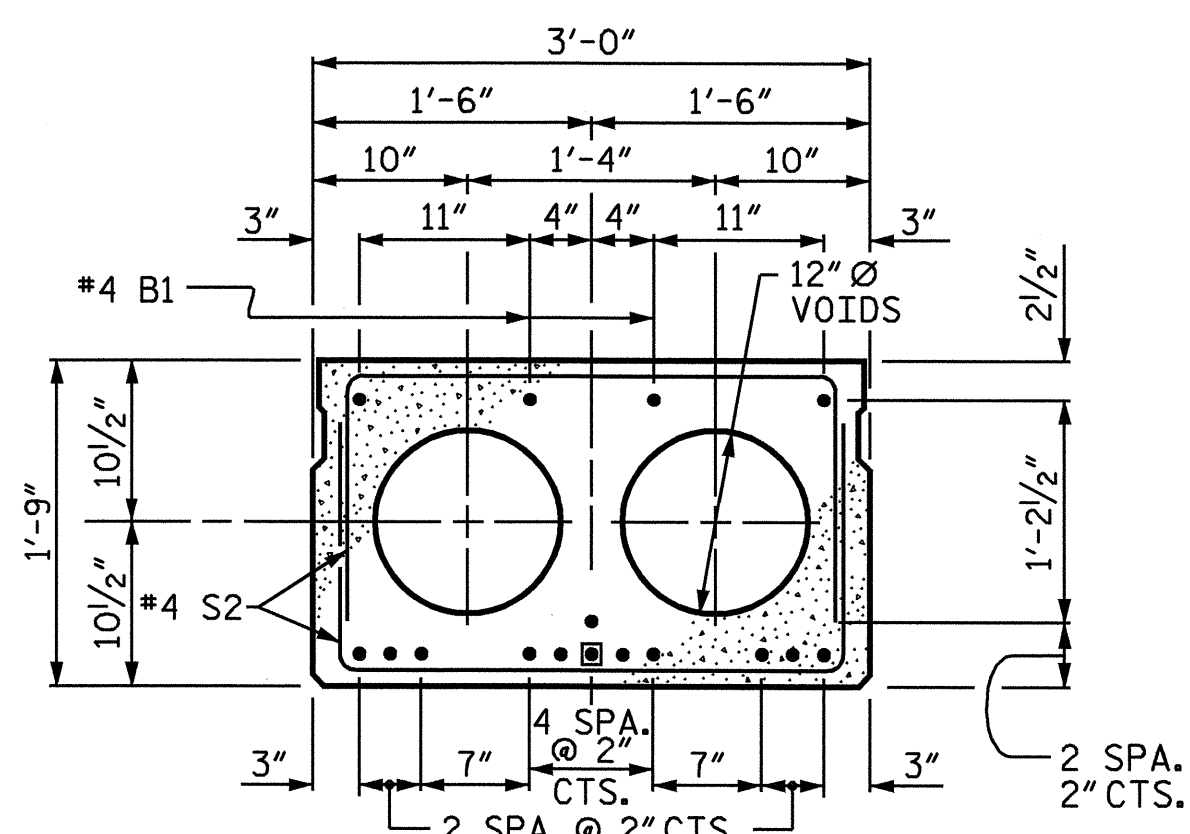
GROUTED RECESS AT END OF POST-TENSIONED STRAND-CORED SLAB

■ BOND SHALL BE BROKEN ON THESE STRANDS FOR A DISTANCE OF 4'-0" FROM END OF CORED SLAB UNIT, SEE STANDARD SPECIFICATIONS ARTICLE 1078-7.

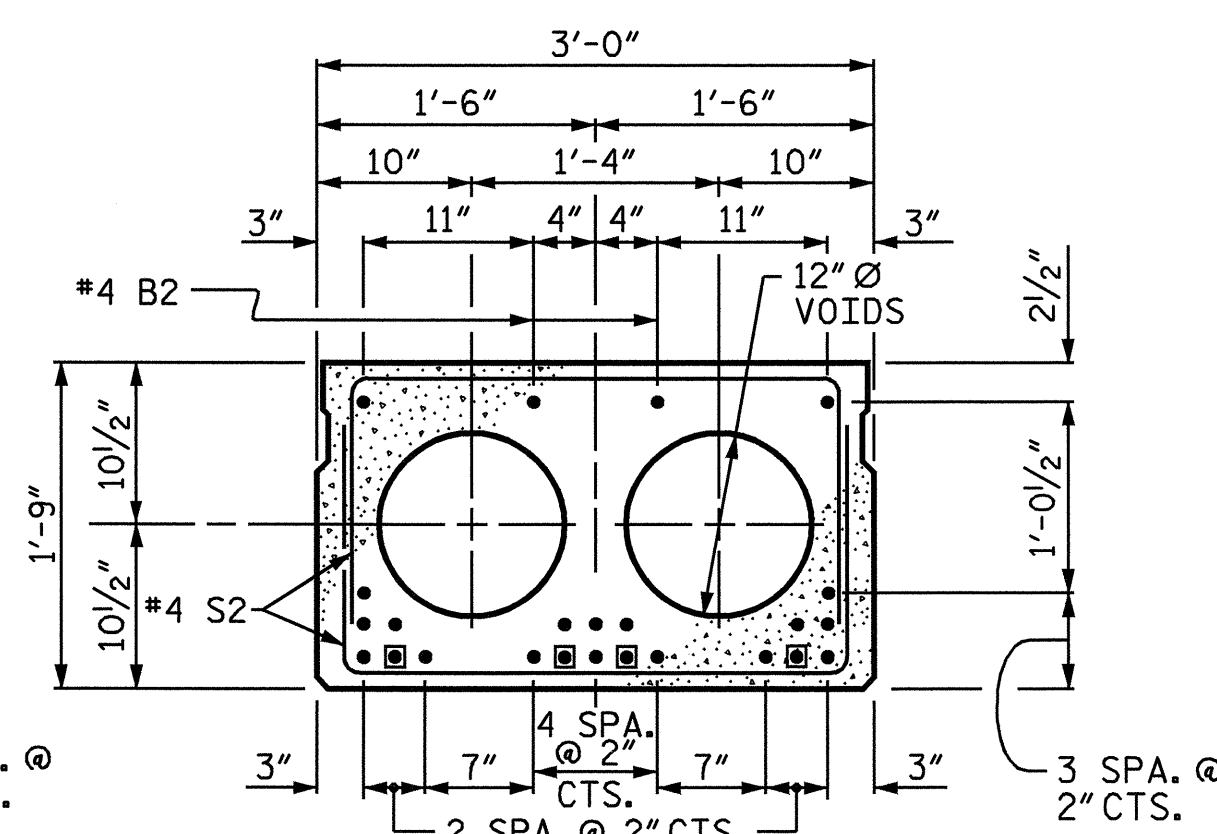


EXTERIOR SLAB SECTION

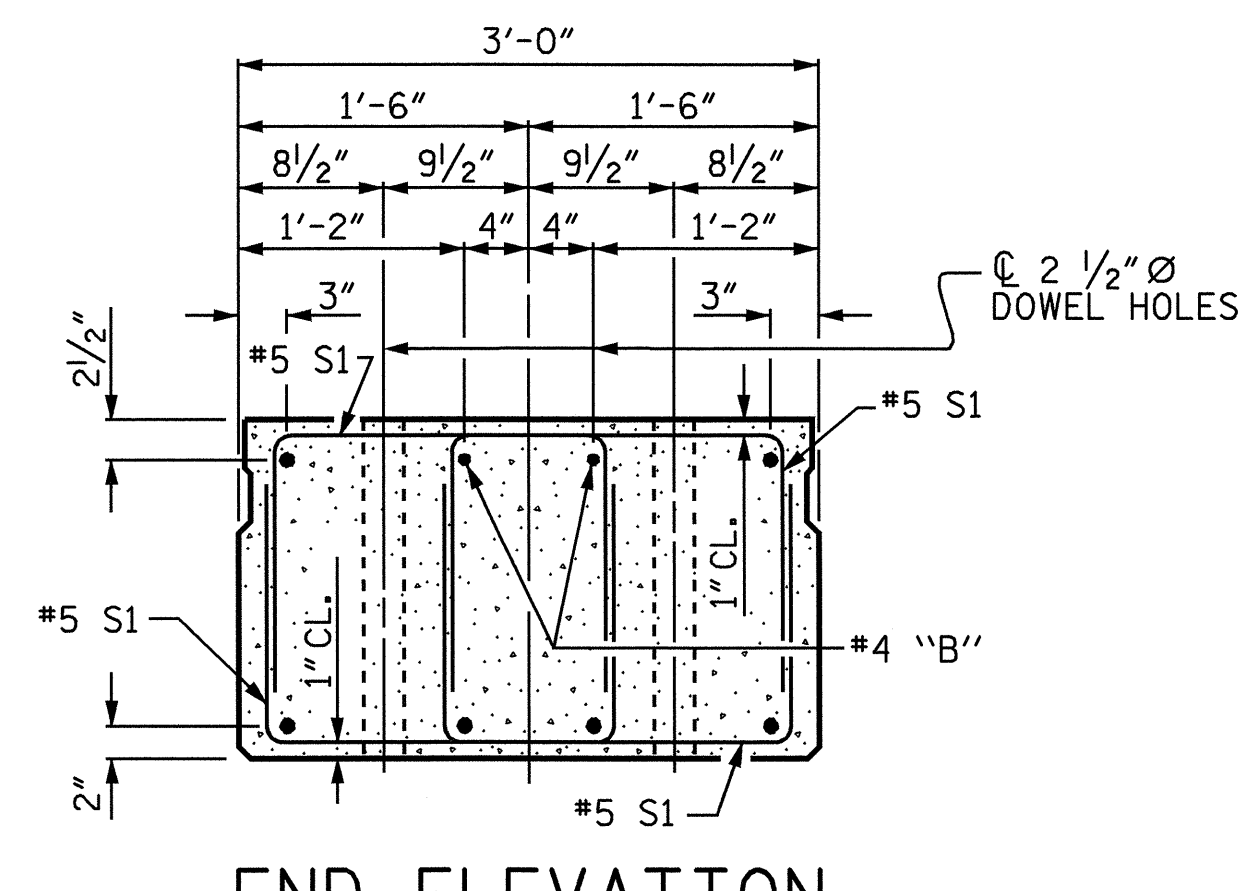
(FOR PRESTRESSED STRAND LAYOUT, SEE INTERIOR SLAB SECTION.)



INTERIOR SLAB SECTION
1/2" ϕ LOW RELAXATION STRAND LAYOUT
FOR SPAN "A" ONLY



INTERIOR SLAB SECTION
1/2" ϕ LOW RELAXATION STRAND LAYOUT
FOR SPANS "B" & "C"



END ELEVATION

SHOWING PLACEMENT OF DOUBLE STIRRUPS AND LOCATION OF DOWEL HOLES. STRAND LAYOUT NOT SHOWN. INTERIOR SLAB SECTION SHOWN-EXTERIOR SLAB SECTION SIMILAR EXCEPT SHEAR KEY LOCATION.

PROJECT NO. B-4058
CASWELL COUNTY
STATION: 16+75.55 -L-

SHEET 1 OF 7

STATE OF NORTH CAROLINA					
DEPARTMENT OF TRANSPORTATION					
RALEIGH					
SUPERSTRUCTURE					
TYPICAL SECTION					
REVISIONS					
NO.	BY:	DATE:	NO.	BY:	DATE:
1			3		
2			4		
SHEET NO.					S-4
TOTAL SHEETS					25

DRAWN BY: P.C. BREWER DATE: 10/13/03
CHECKED BY: M. BRITT DATE: 10/24/03

17-SEP-2004 10:04
w:\squad\14058\pbrewer\l\microstation\B4058.sd.cs.01.dgn
sbwilliams