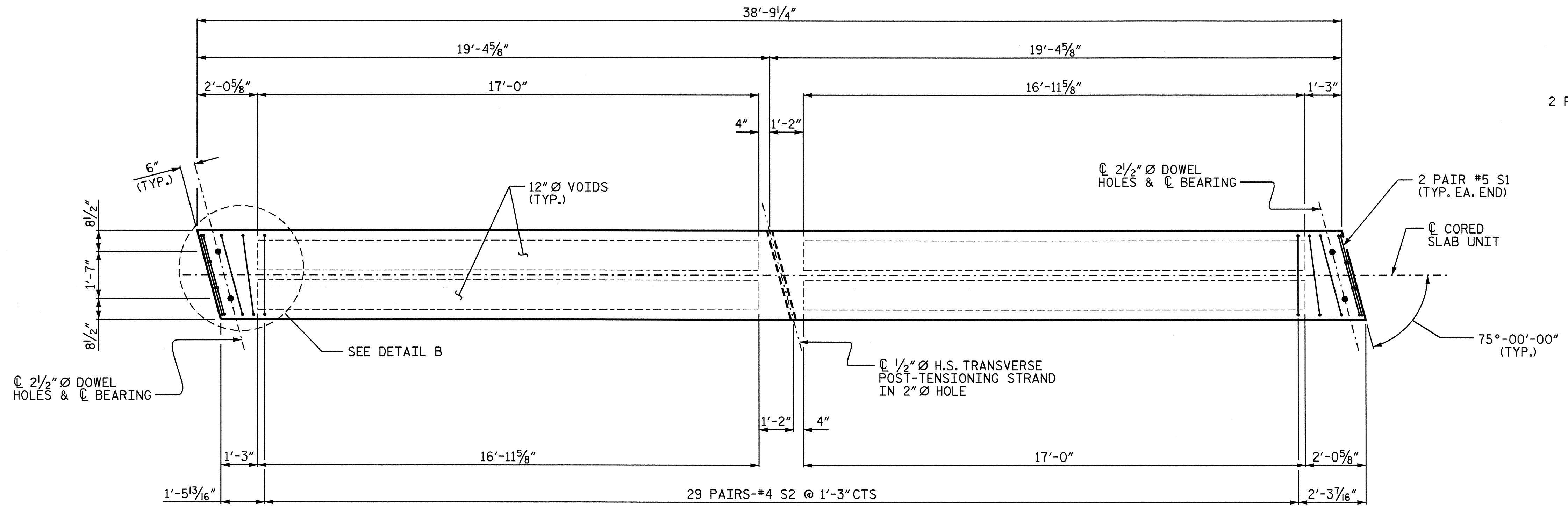
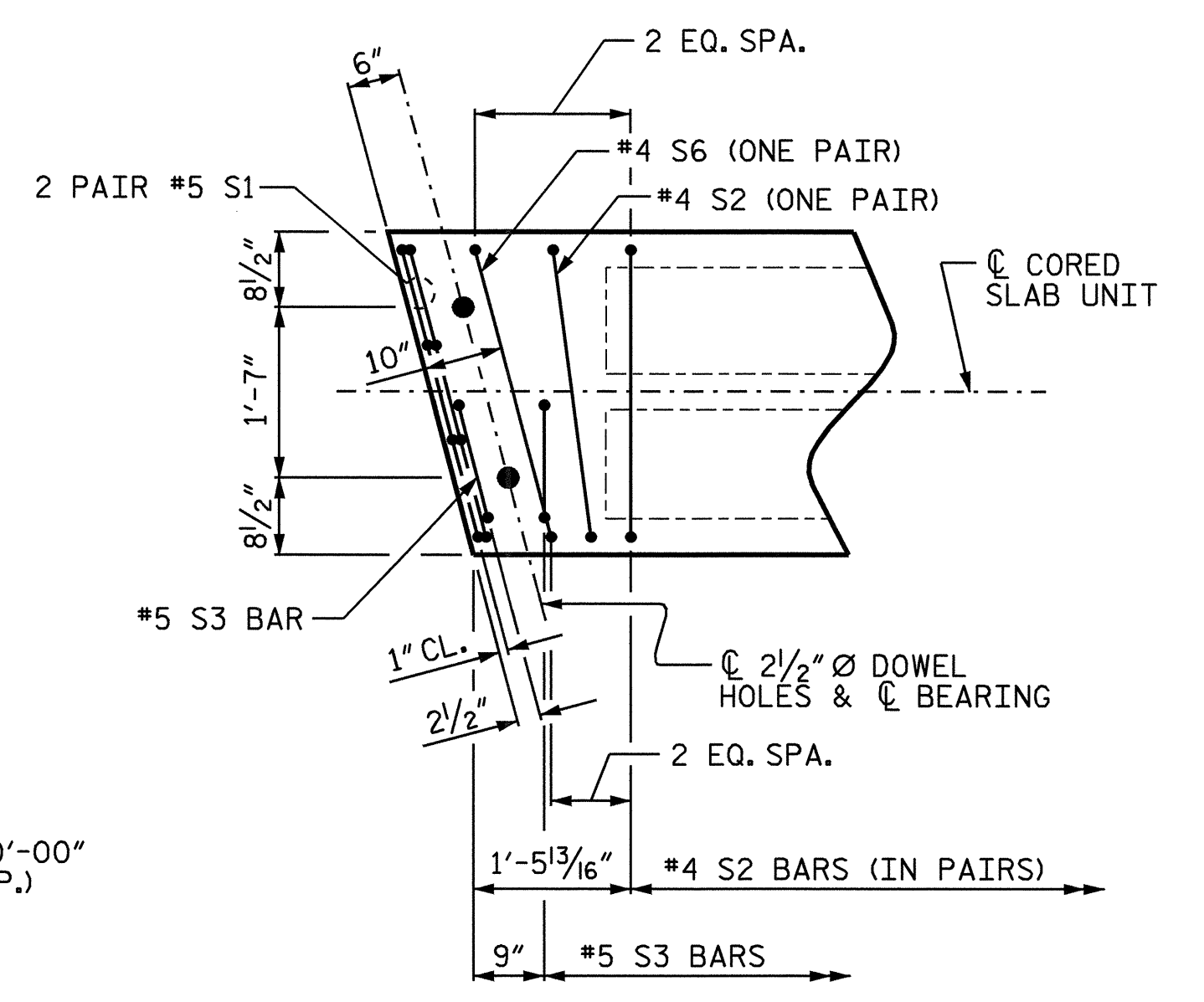


PLAN OF EXTERIOR CORED SLAB UNIT
(SPAN "A")

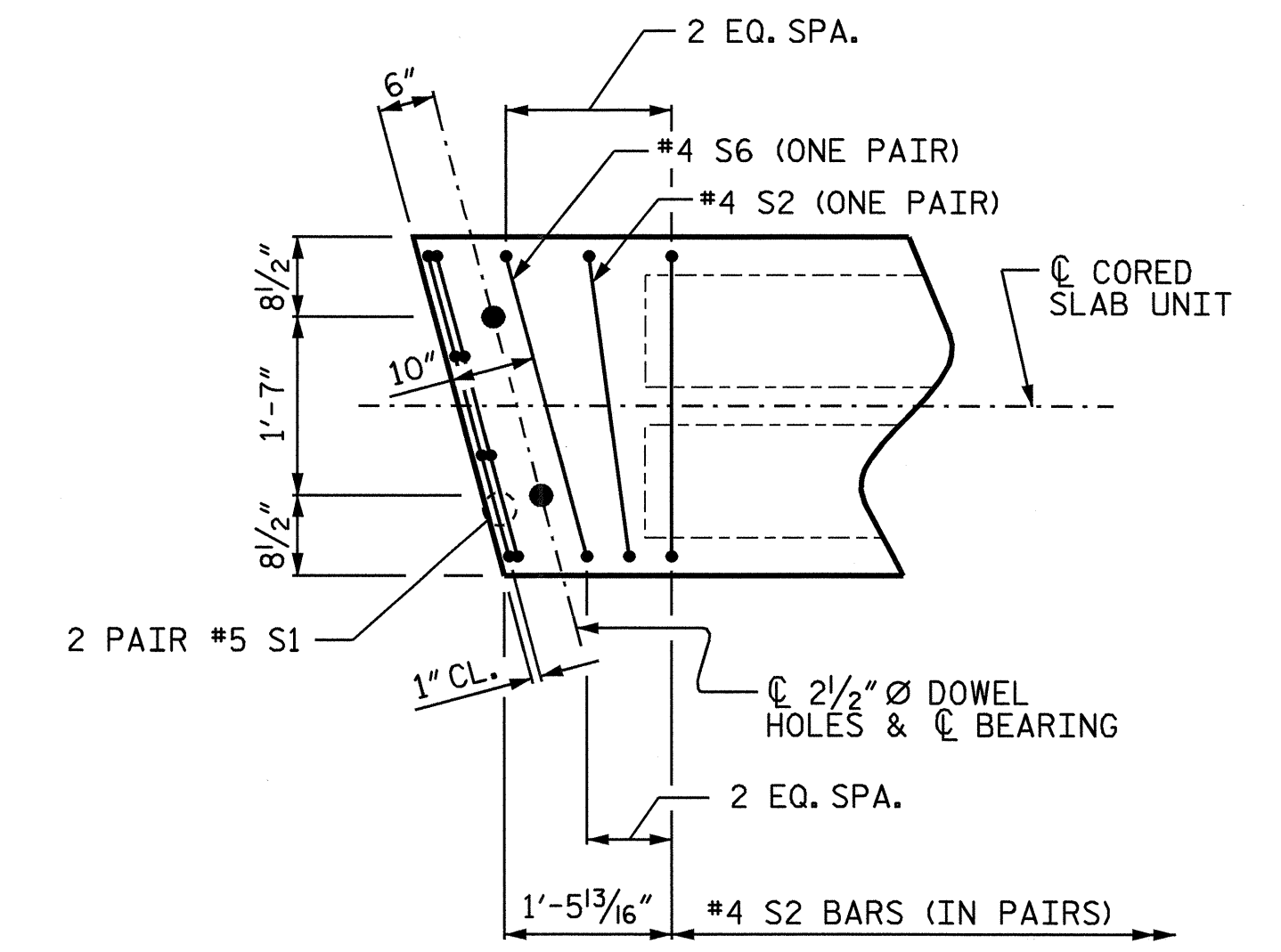
NOTE:
THE #5 S3 BARS AND #4 S2 PAIRS MAY BE SHIFTED SLIGHTLY IN ORDER TO MAINTAIN A 2" MIN. CL. TO THE 2" Ø HOLE AT THE TRANSVERSE POST-TENSIONING STRANDS.



PLAN OF INTERIOR CORED SLAB UNIT
(SPAN "A")



DETAIL A
(EA. END SIMILAR)

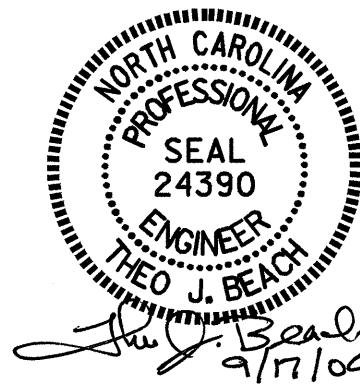


DETAIL B
(EA. END SIMILAR)

PROJECT NO. B-4058
CASWELL COUNTY
STATION: 16+75.55 -L-

SHEET 5 OF 7

STATE OF NORTH CAROLINA DEPARTMENT OF TRANSPORTATION RALEIGH					
PLAN OF 3'-0" X 1'-9" CORED SLAB UNIT SPAN "A"					
REVISIONS					
NO.	BY:	DATE:	NO.	BY:	DATE:
1			3		
2			4		



DRAWN BY: P.C. BREWER DATE: 10/15/03
CHECKED BY: M. BRITT DATE: 10/27/03