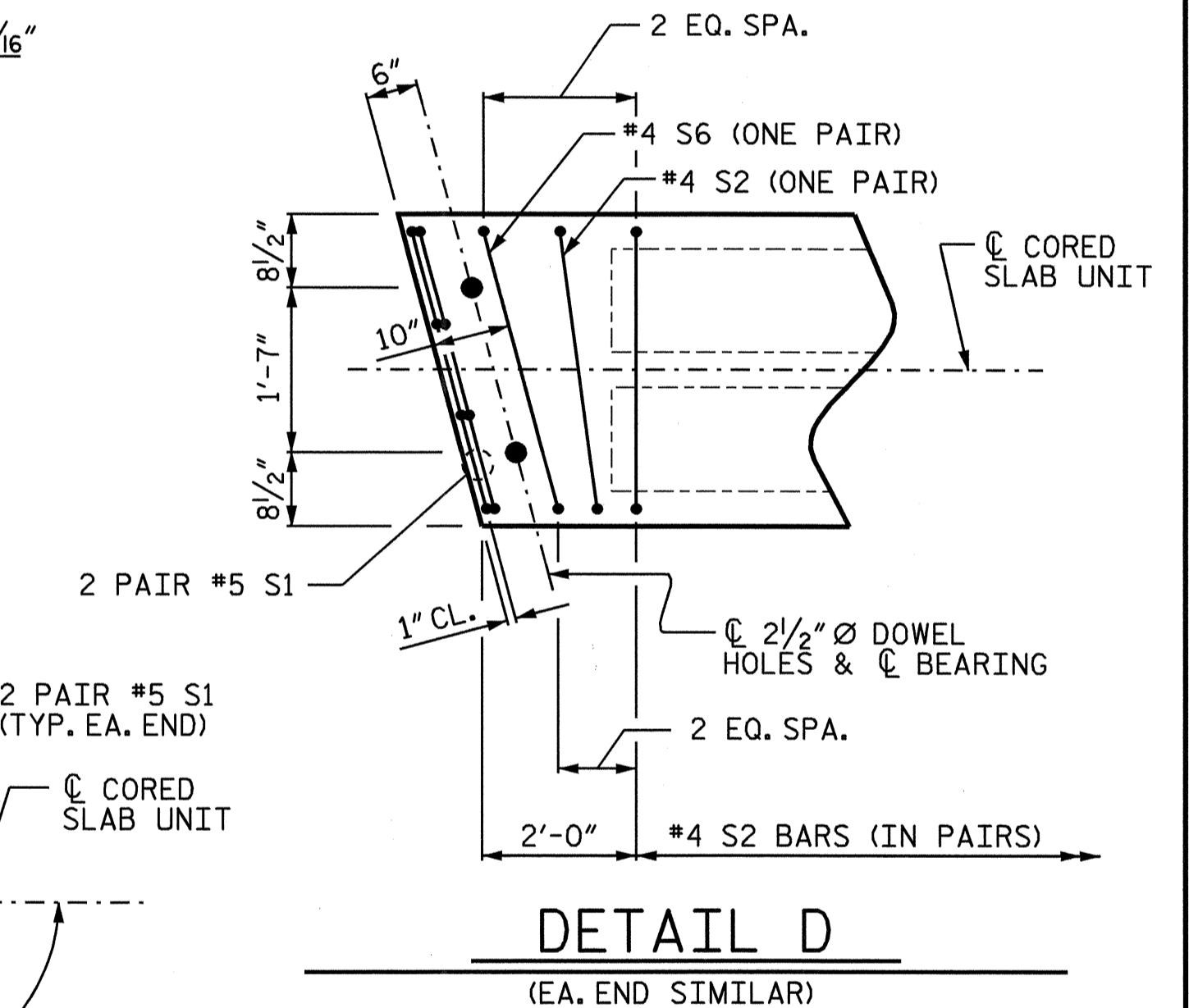
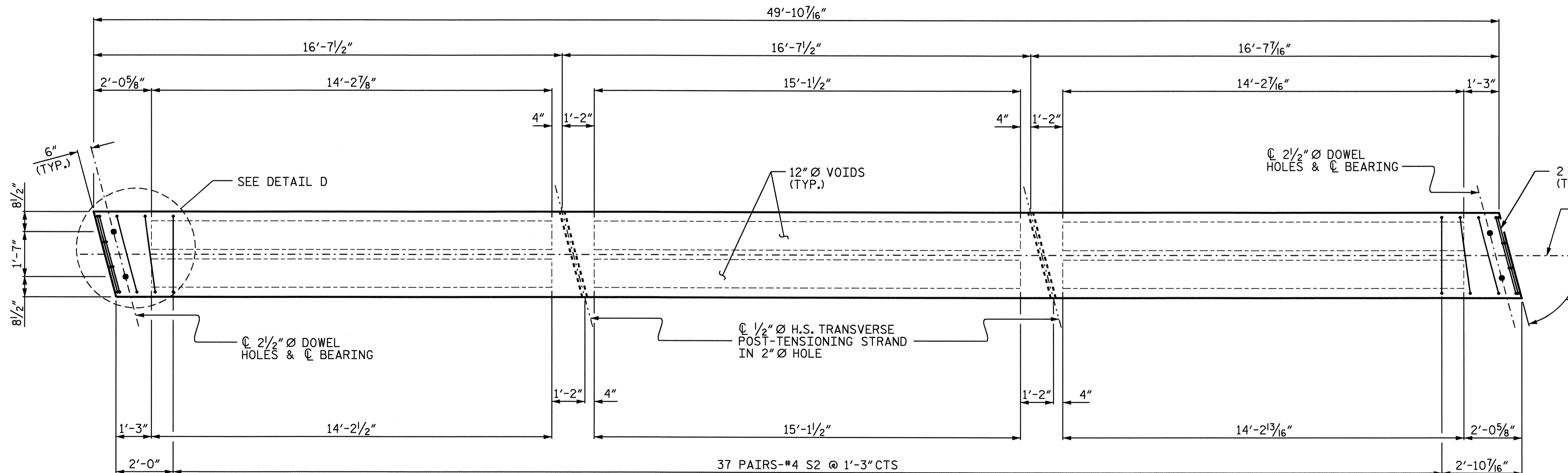


PLAN OF EXTERIOR CORED SLAB UNIT

(SPANS "B" & "C")

NOTE:
THE #5 S3 BARS AND #4 S2 PAIRS MAY BE SHIFTED SLIGHTLY IN ORDER TO MAINTAIN A 2" MIN. CL. TO THE 2" Ø HOLE AT THE TRANSVERSE POST-TENSIONING STRANDS.



PLAN OF INTERIOR CORED SLAB UNIT

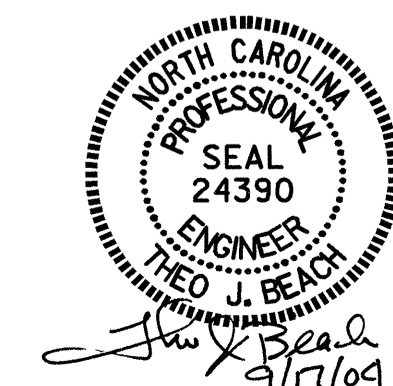
(SPANS "B" & "C")

PROJECT NO. B-4058
CASWELL COUNTY
 STATION: 16+75.55 -L-

SHEET 6 OF 7

STATE OF NORTH CAROLINA
 DEPARTMENT OF TRANSPORTATION
 RALEIGH

PLAN OF
 3'-0" X 1'-9"
 CORED SLAB UNIT
 SPAN "B" & "C"



DRAWN BY: P.C. BREWER DATE: 10/15/03
 CHECKED BY: M. BRITT DATE: 10/28/03

| REVISIONS | | | | | | SHEET NO. |
|-----------|-----|-------|-----|-----|-------|--------------|
| NO. | BY: | DATE: | NO. | BY: | DATE: | S-9 |
| 1 | | | 3 | | | TOTAL SHEETS |
| 2 | | | 4 | | | 25 |