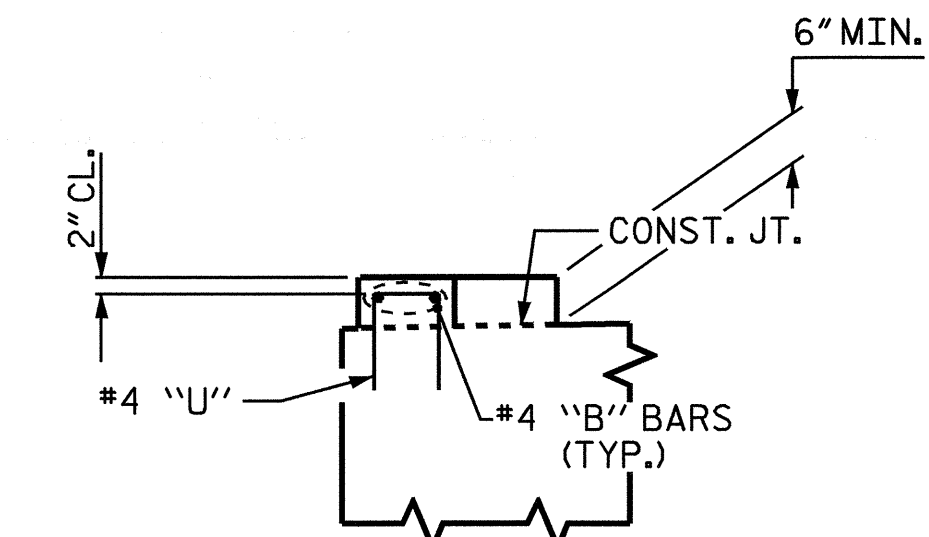
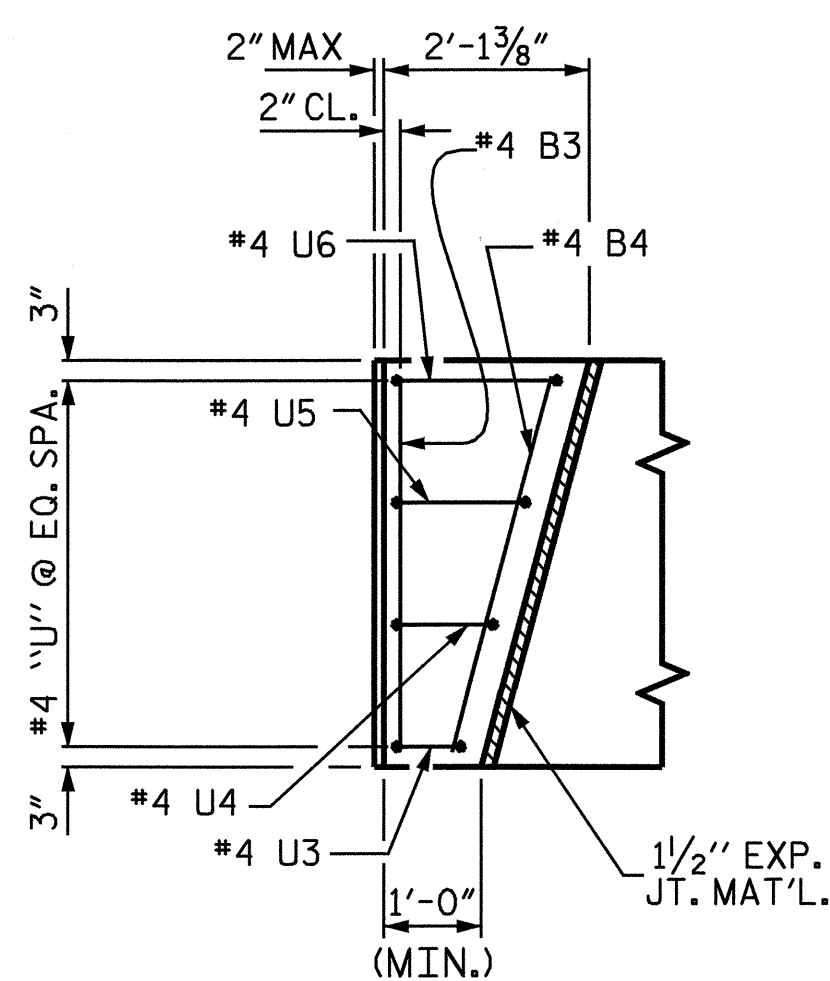


PLAN OF DRILLED PIERS



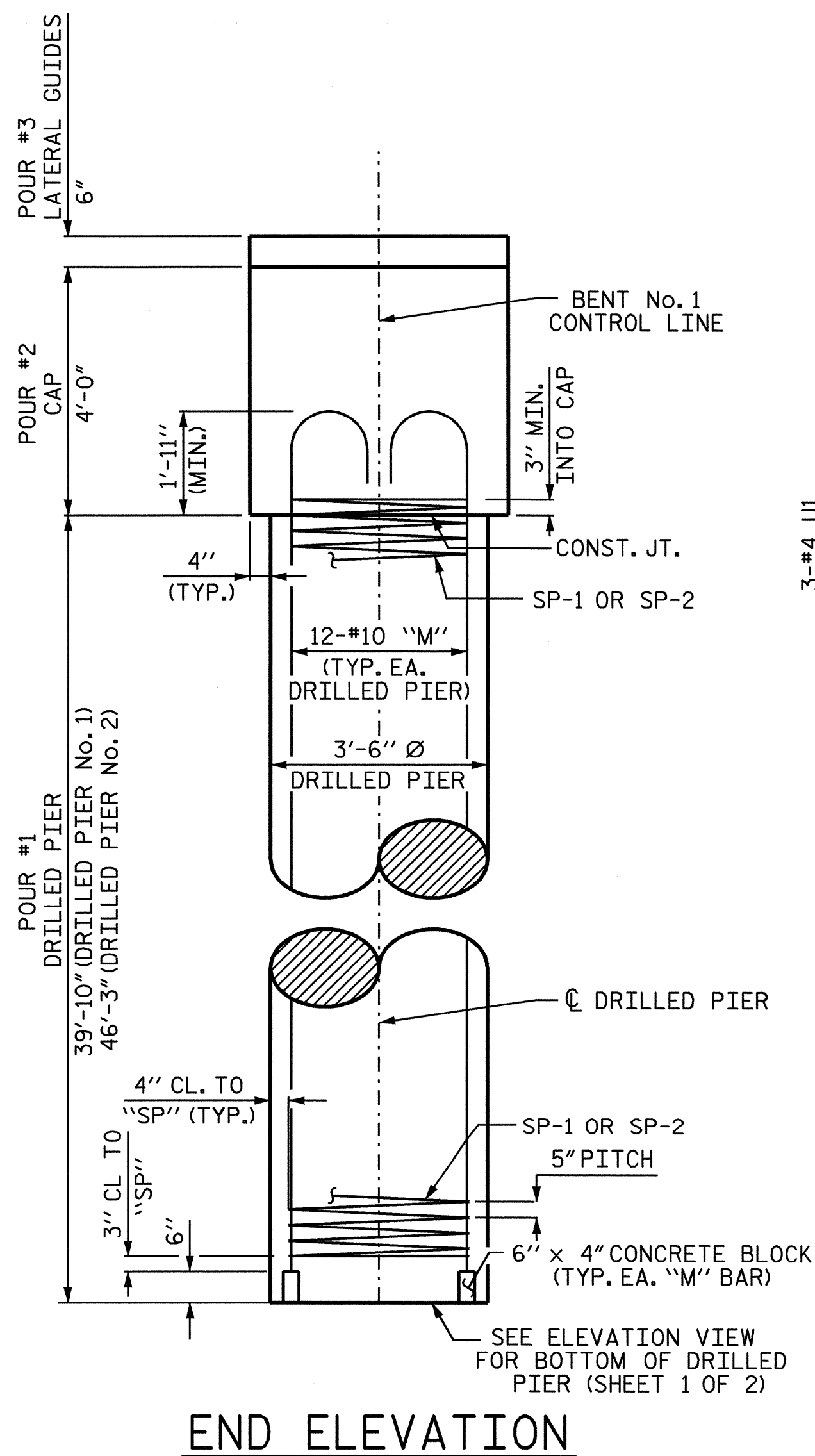
ELEVATION



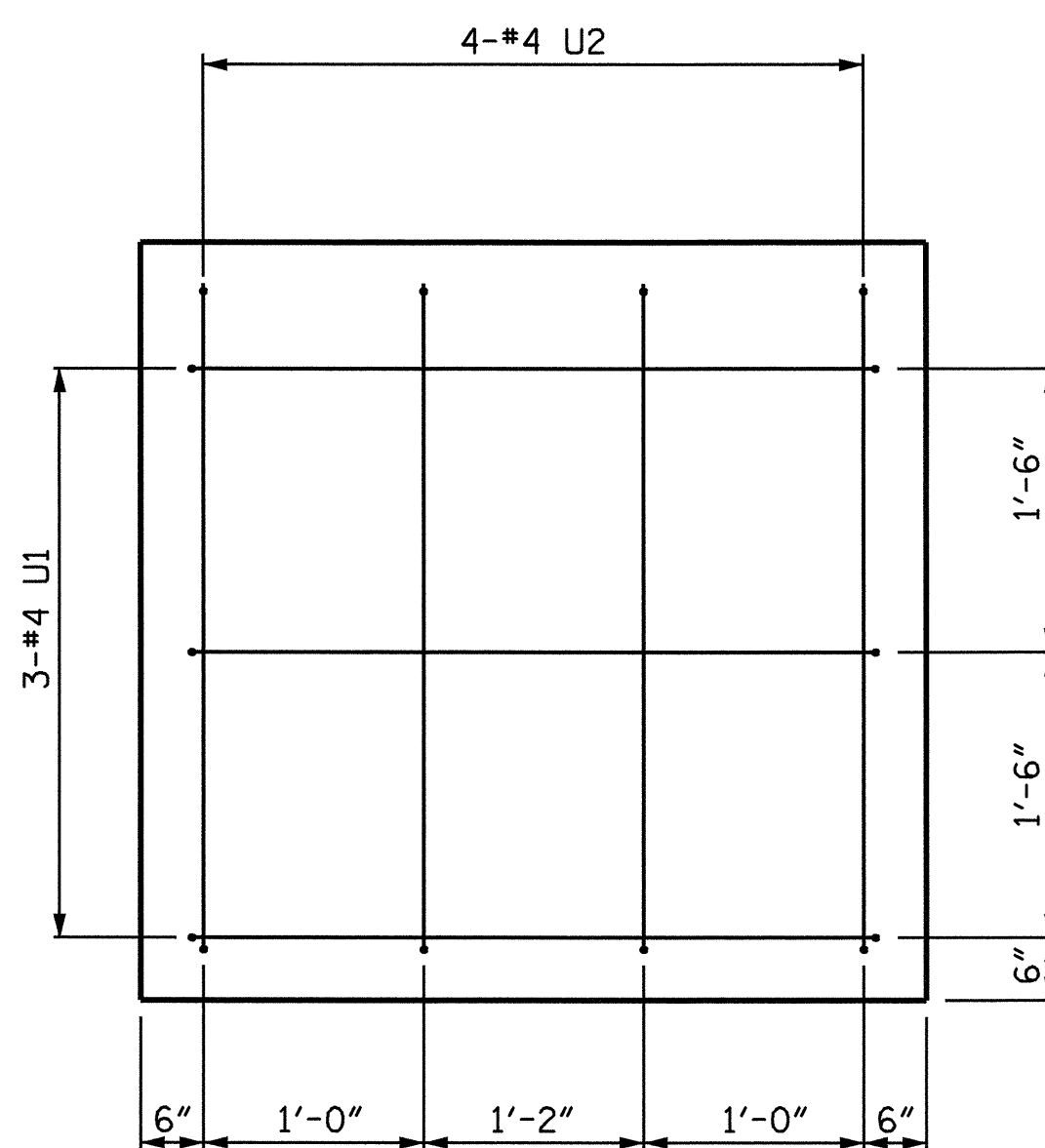
PLAN

LATERAL GUIDE DETAIL

(LEFT LATERAL GUIDE SHOWN, RIGHT LATERAL GUIDE SIMILAR)

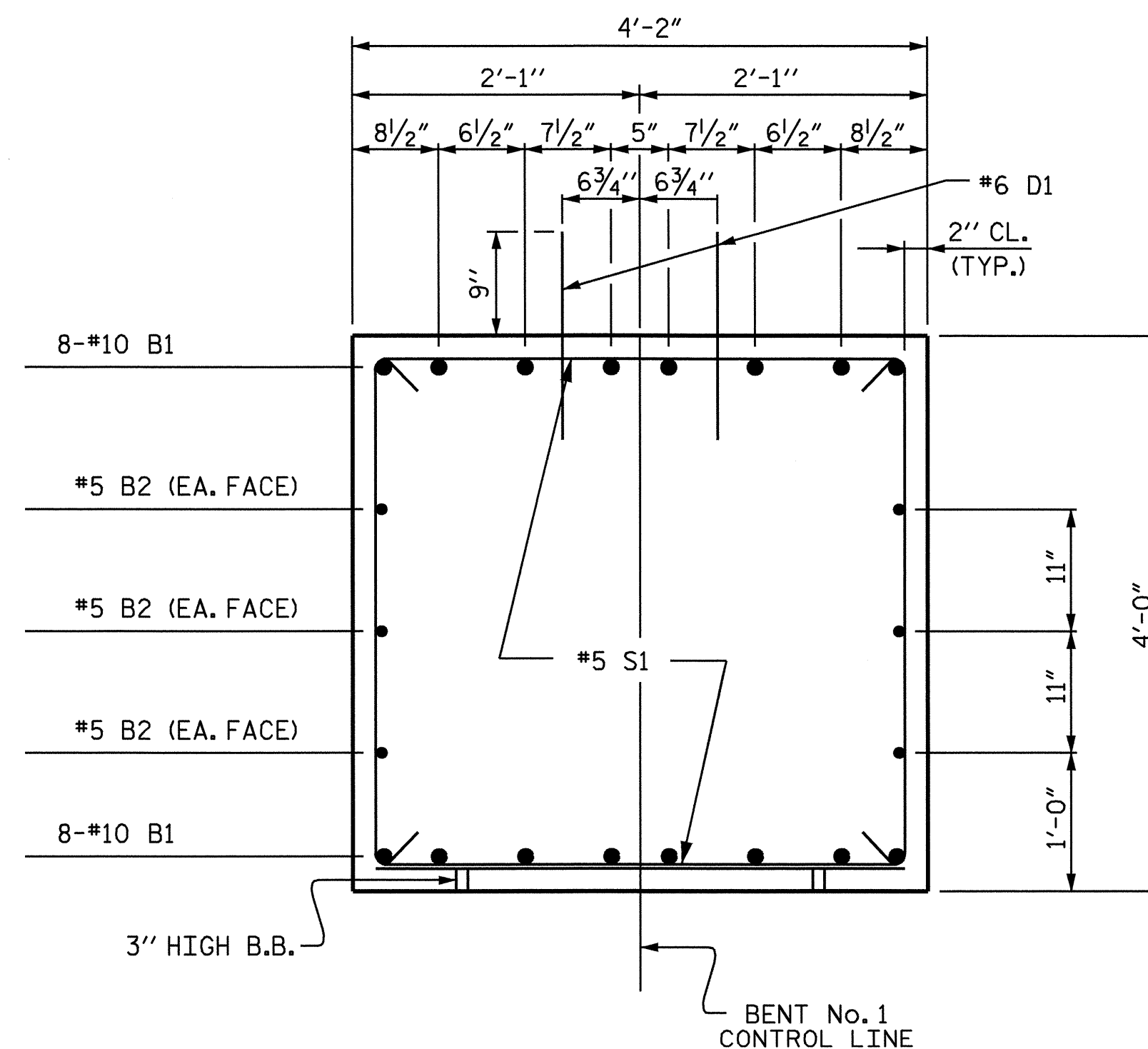


END ELEVATION



END VIEW OF CAP

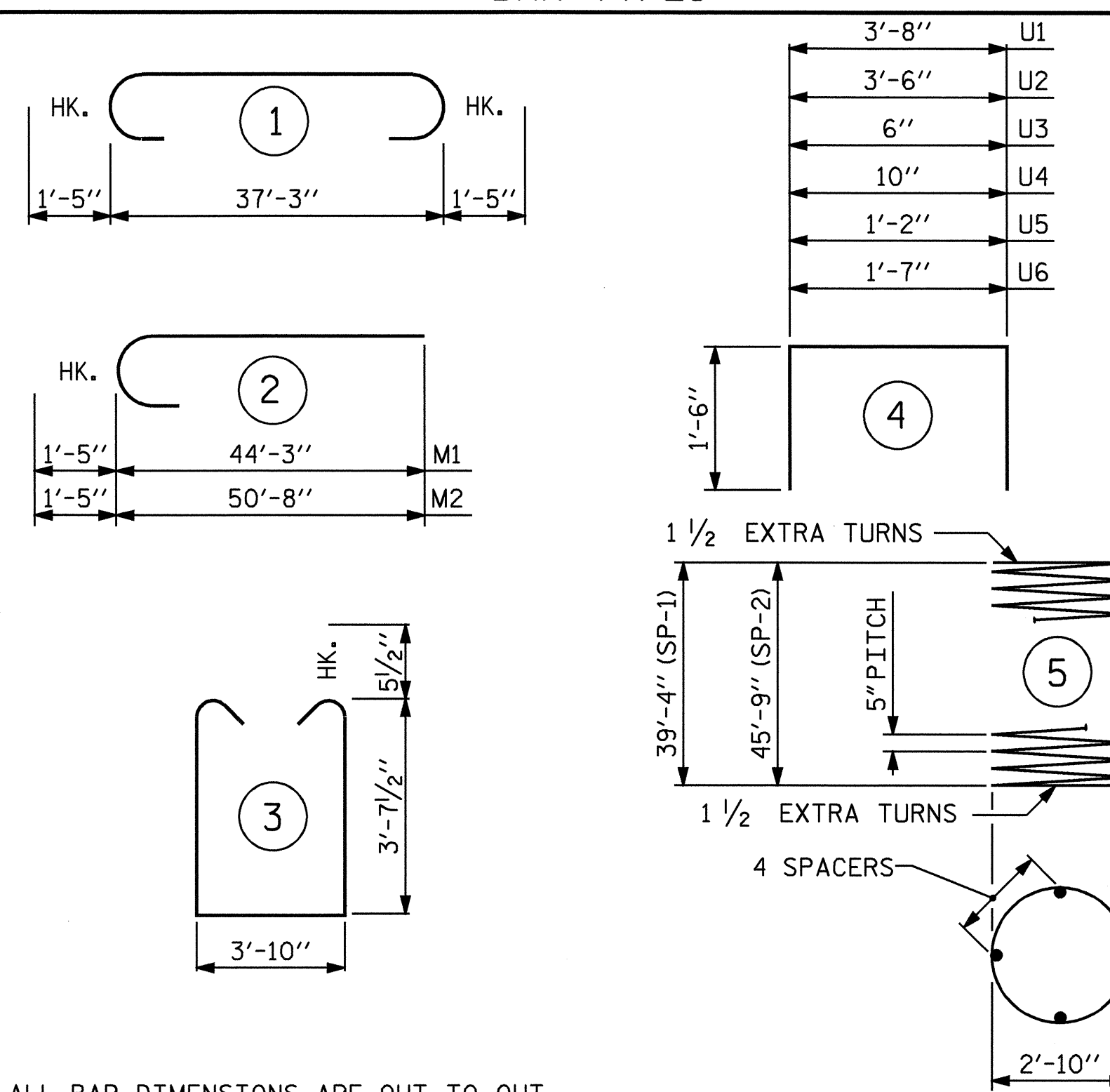
(TYP. BOTH ENDS)



SECTION THRU CAP

ALL BAR DIMENSIONS ARE OUT TO OUT.

BAR TYPES



BILL OF MATERIAL

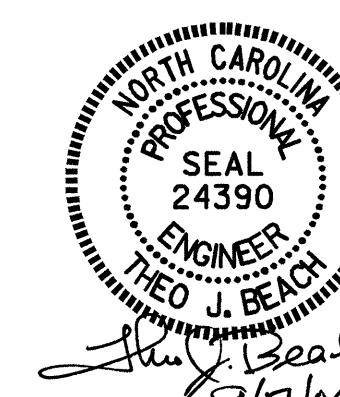
BENT No. 1					
BAR	NO.	SIZE	TYPE	LENGTH	WEIGHT
B1	16	10	1	40'- 1"	2760
B2	6	5	STR	37'- 5"	234
B3	2	4	STR	3'-10"	5
B4	2	4	STR	3'-11"	5
D1	44	6	STR	1'- 6"	99
M1	12	10	2	45'- 8"	2358
M2	12	10	2	52'- 1"	2689
S1	29	5	3	12'- 0"	363
U1	6	4	4	6'- 8"	27
U2	8	4	4	6'- 6"	35
U3	2	4	4	3'- 6"	5
U4	2	4	4	3'-10"	5
U5	2	4	4	4'- 2"	6
U6	2	4	4	4'- 7"	6
REINFORCING STEEL - LBS.					8,597
SP-1	1	**	5	857'- 4"	894
SP-2	1	**	5	988'- 6"	1031
SPIRAL COLUMN REINFORCING STEEL - LBS.					1,925
** THE SP-1 & SP-2 SPIRAL REINFORCING STEEL SHALL BE W31 OR D-31 COLD DRAWN WIRE OR #5 PLAIN OR DEFORMED BAR.					
CLASS A CONCRETE (C.Y.)					
POUR 2 - CAP					23.3
POUR 3 - LATERAL GUIDES					0.2
TOTAL CLASS A CONCRETE					23.5
DRILLED PIERS:					
DRILLED PIER CONCRETE (C.Y.)					
POUR 1 - DRILLED PIERS					30.7
3'-6" Ø DRILLED PIER IN SOIL - LIN. FT.					73.1
3'-6" Ø DRILLED PIER NOT IN SOIL - LIN. FT.					13.0
PERMANENT STEEL CASING FOR 3'-6" Ø DRILLED PIERS- LIN. FT.					69.0
CSL TUBES - LIN. FT.					364.3

PROJECT NO. B-4058  
CASWELL COUNTY  
STATION: 16+75.55 -L-

SHEET 2 OF 2

STATE OF NORTH CAROLINA  
DEPARTMENT OF TRANSPORTATION  
RALEIGH

SUBSTRUCTURE  
BENT No. 1



REVISIONS						SHEET NO.
NO.	BY:	DATE:	NO.	BY:	DATE:	S-15
1			3			TOTAL SHEETS
2			4			25

DRAWN BY : C. H. SIMPSON DATE : 06-09-04  
CHECKED BY : P. C. BREWER DATE : 06-14-04