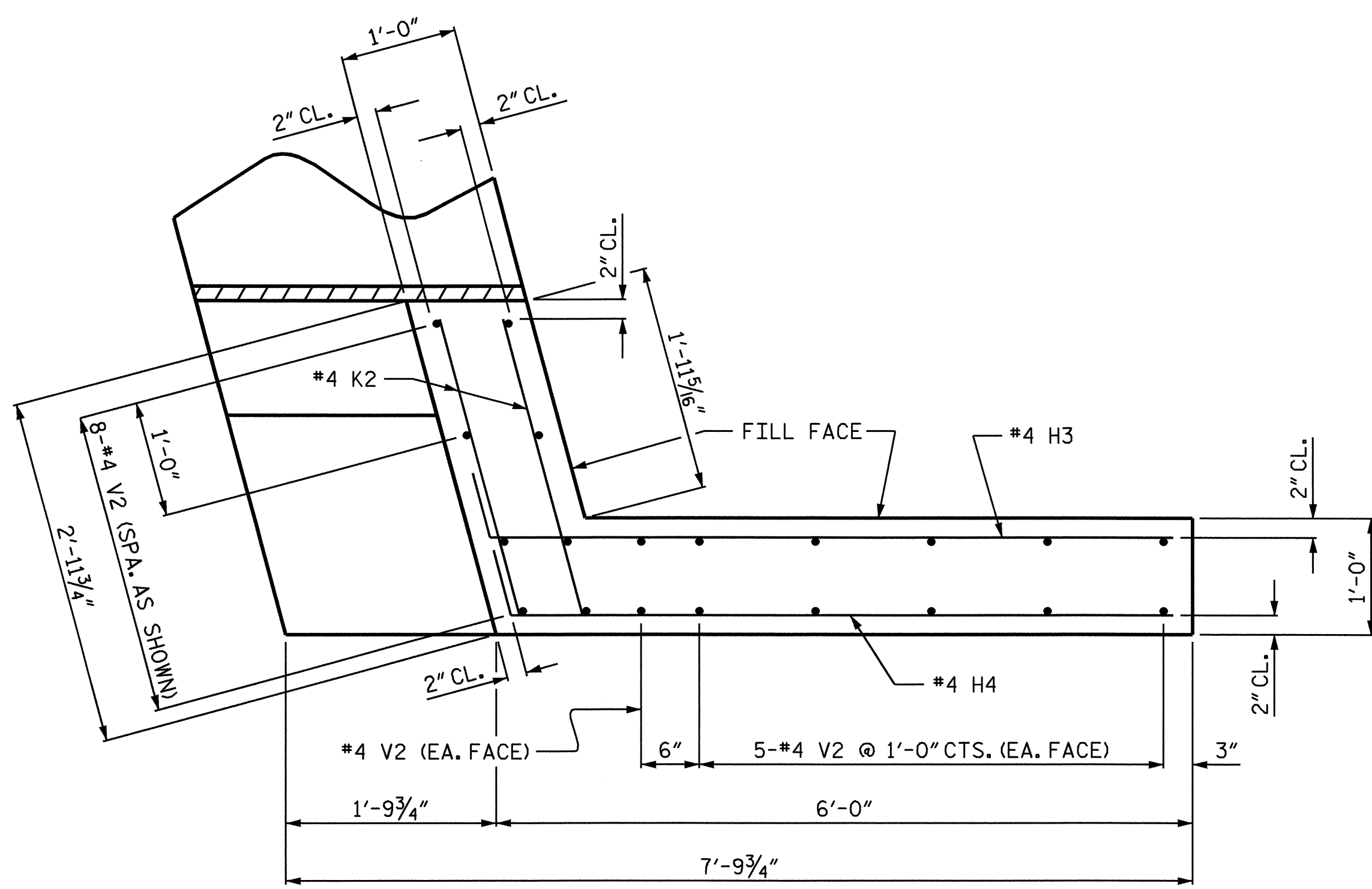
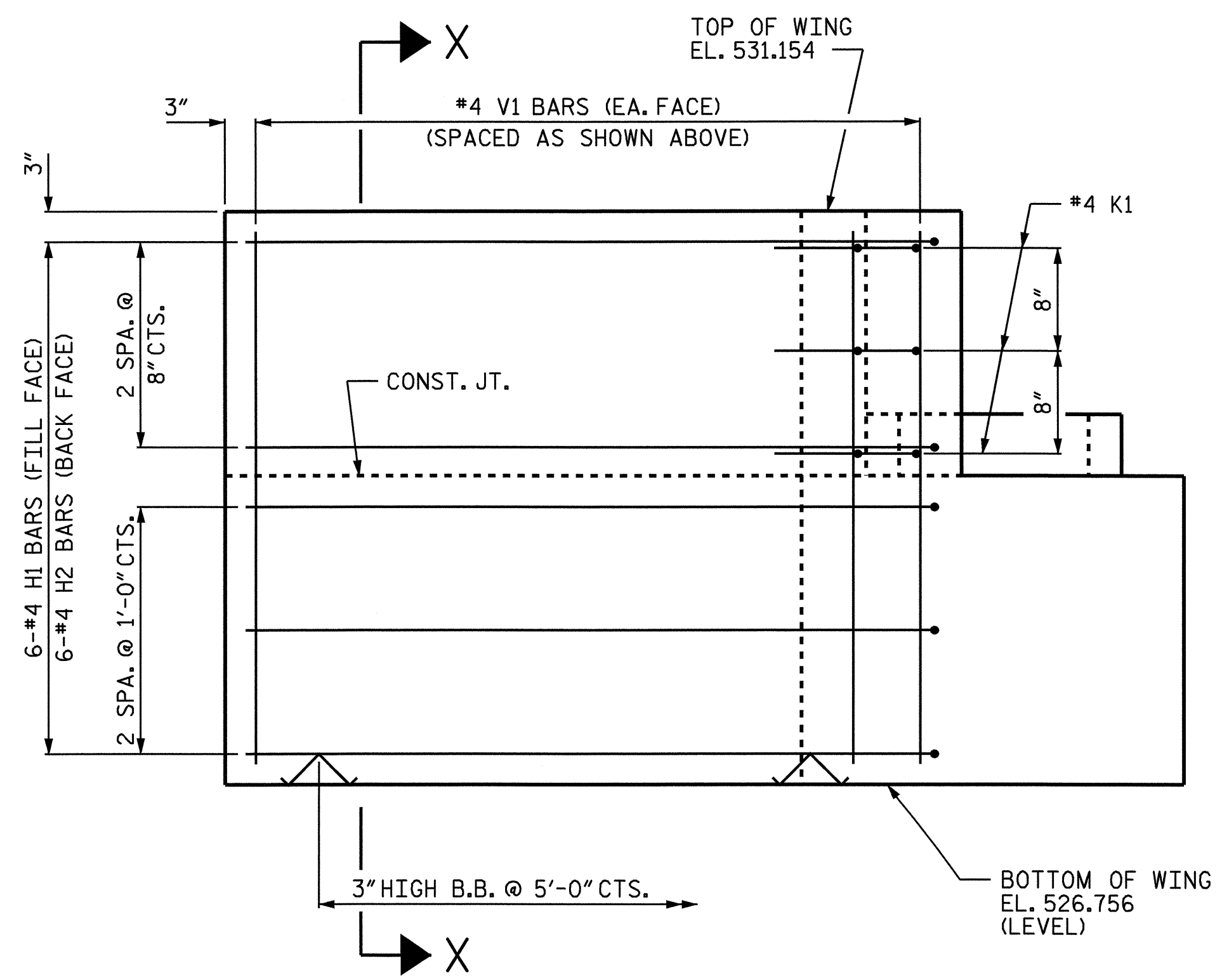


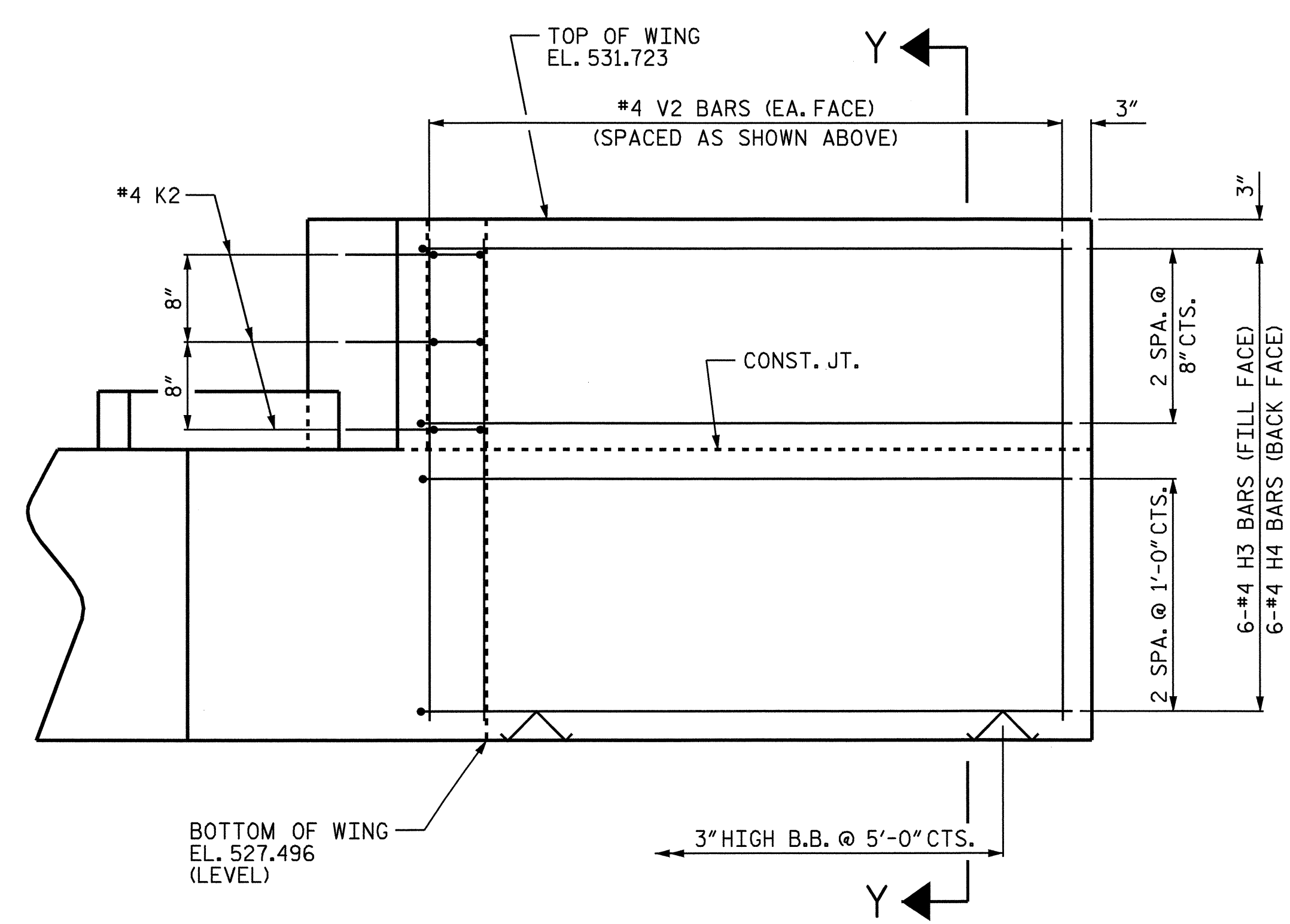
PLAN OF WING (W1)



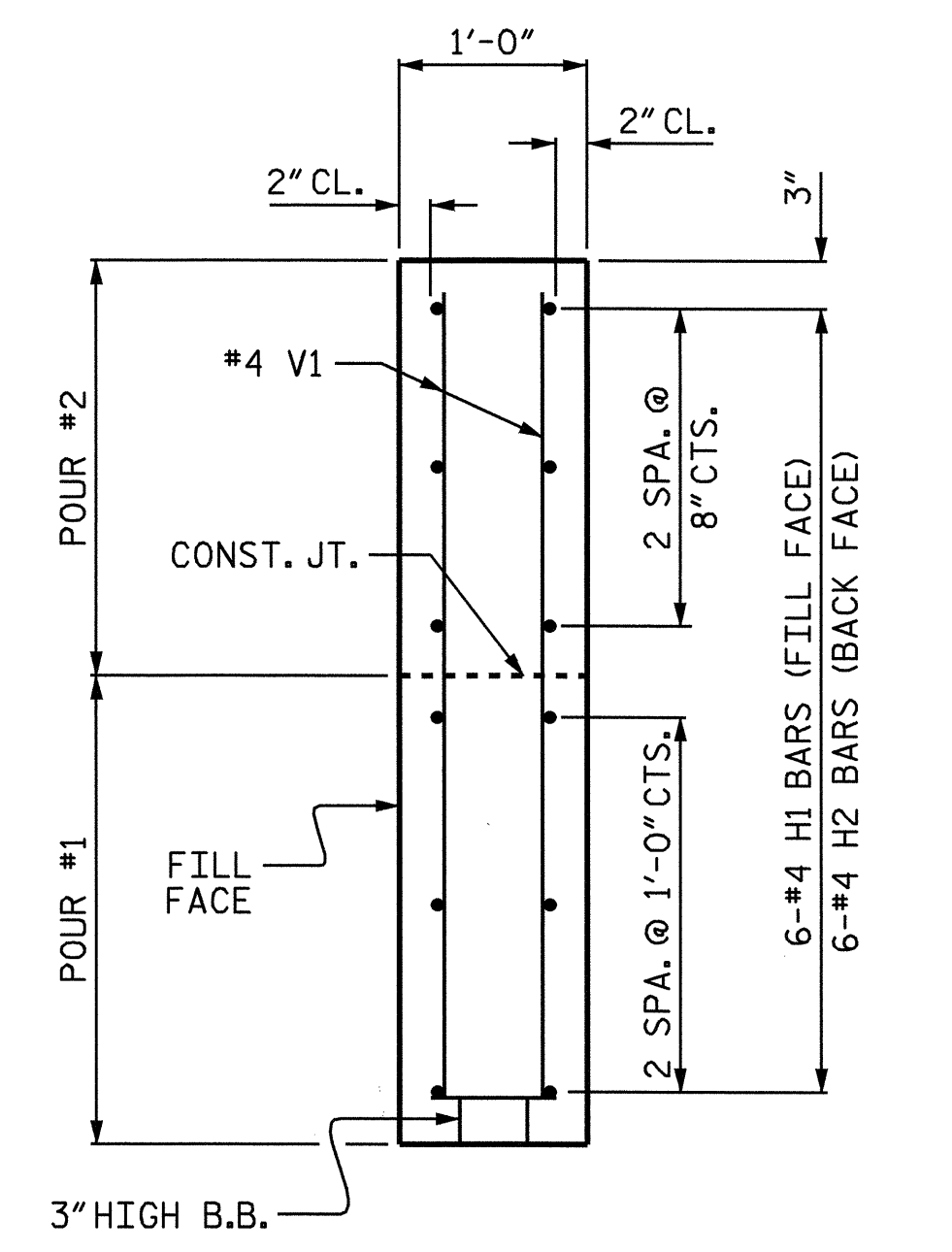
PLAN OF WING (W2)



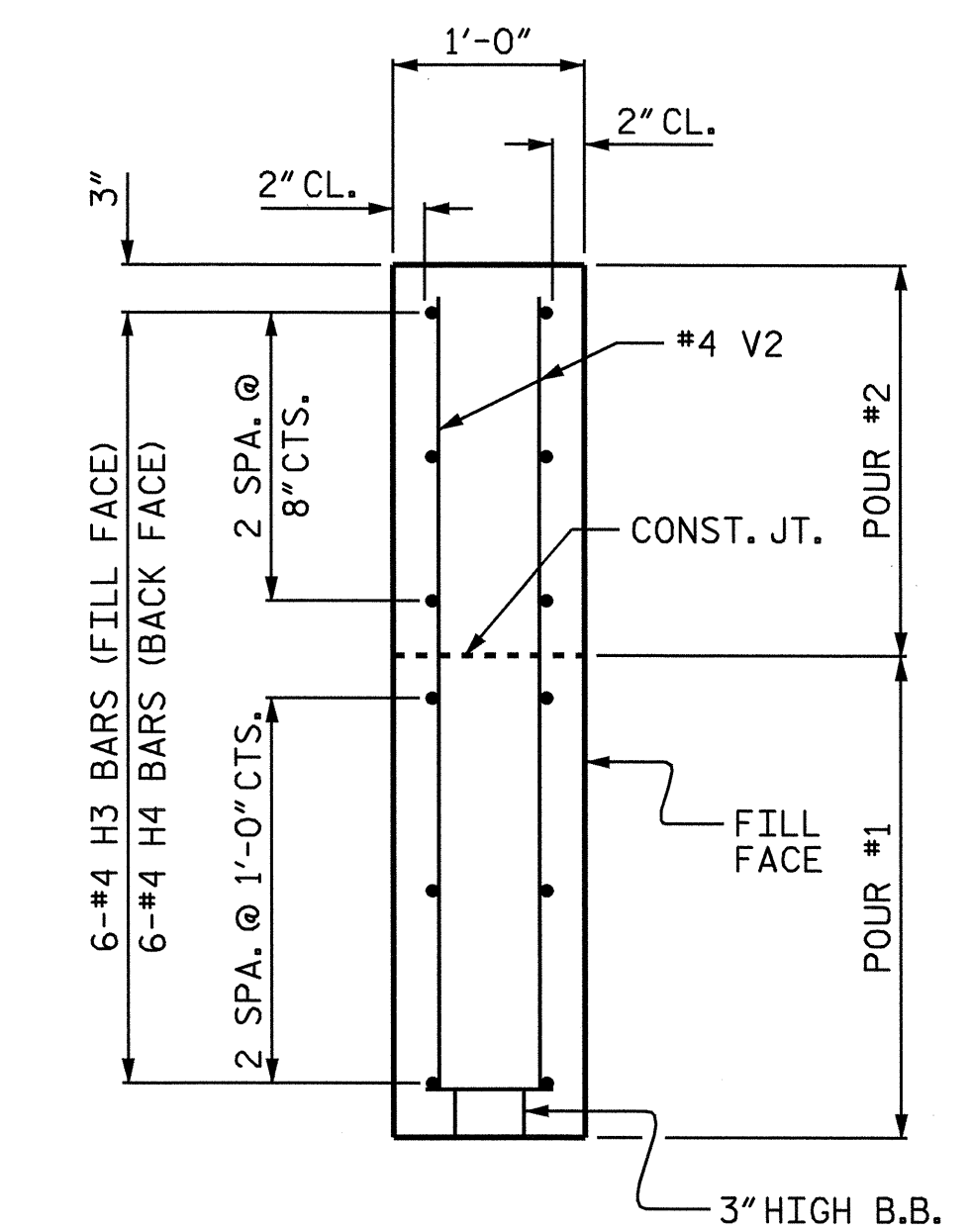
ELEVATION OF WING (W1)



ELEVATION OF WING (W2)



SECTION X-X



SECTION Y-Y

PROJECT NO. B-4058
 CASWELL COUNTY
 STATION: 16+75.55 -L-

SHEET 2 OF 3

STATE OF NORTH CAROLINA
 DEPARTMENT OF TRANSPORTATION
 RALEIGH
 SUBSTRUCTURE
 END BENT No. 2



DRAWN BY: P.C. BREWER DATE: 12/2/03
 CHECKED BY: C.H. SIMPSON DATE: 12/29/03

REVISIONS						SHEET NO.	
NO.	BY:	DATE:	NO.	BY:	DATE:	S-19	
1			3			TOTAL SHEETS	
2			4			25	