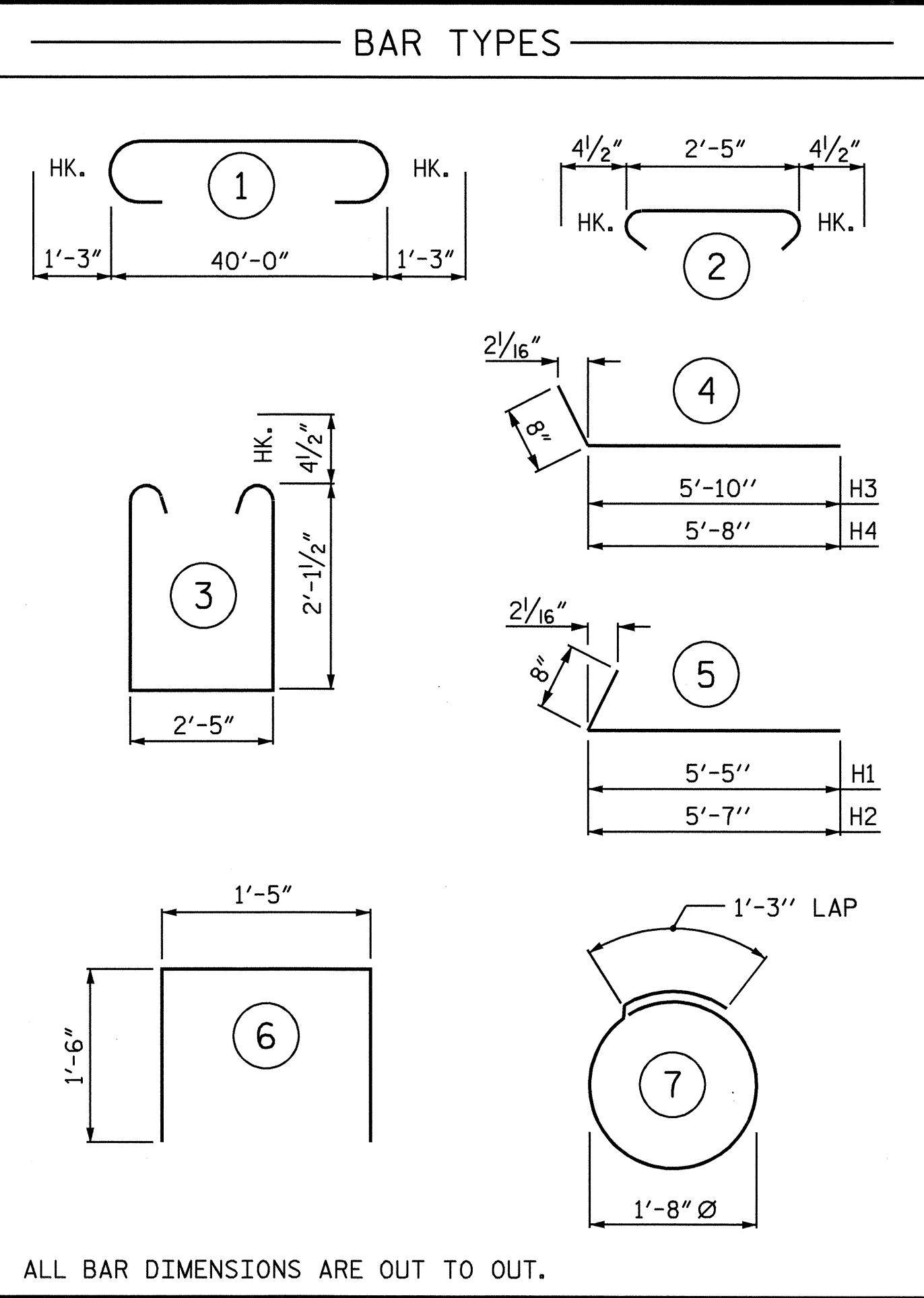
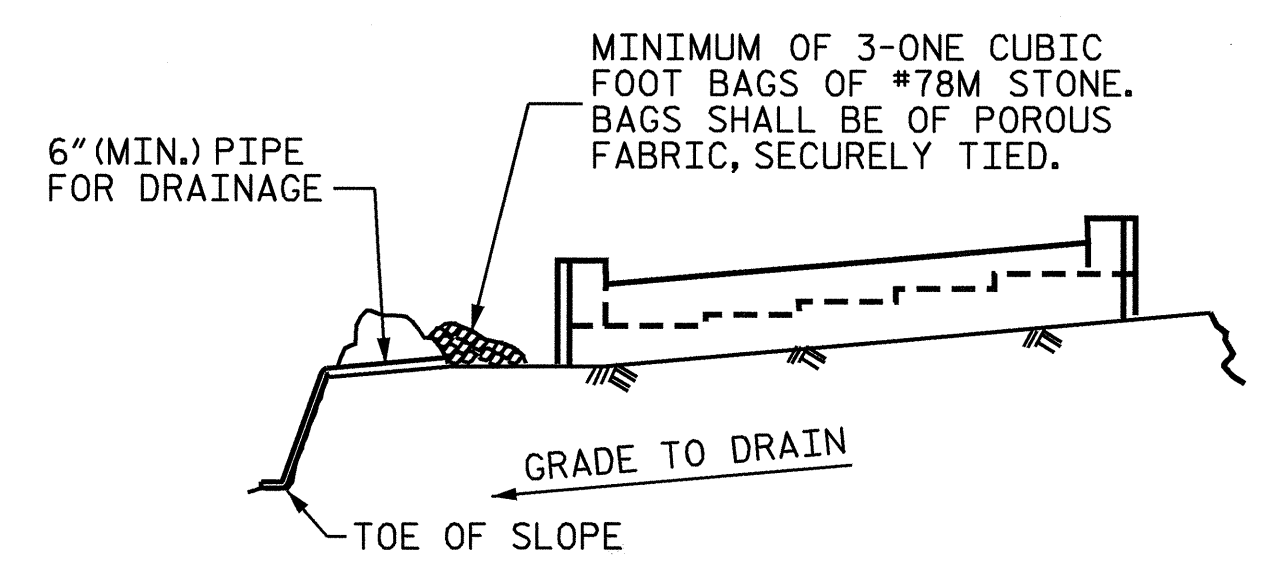


* POSITION OF PILE DURING WELDING. DETAIL B
PILE SPLICE DETAILS



BILL OF MATERIAL					
END BENT No. 2					
BAR	No.	SIZE	TYPE	LENGTH	WEIGHT
B1	8	9		42'-6"	1156
B2	4	5	STR	40'-1"	167
B3	8	4	STR	21'-3"	114
B4	10	4	STR	2'-5"	16
D1	22	6	STR	1'-6"	50
H1	6	4	5	6'-1"	24
H2	6	4	5	6'-3"	25
H3	6	4	4	6'-6"	26
H4	6	4	4	6'-4"	25
K1	6	4	STR	2'-8"	11
K2	6	4	STR	2'-7"	10
S1	38	4	3	7'-5"	188
S2	38	4	2	3'-2"	80
S3	14	4	7	6'-6"	61
S4	4	4	6	4'-5"	12
V1	18	4	STR	4'-0"	48
V2	20	4	STR	3'-9"	50
REINFORCING STEEL				2063 LBS.	
CLASS A CONCRETE BREAKDOWN					
POUR #1 CAP & BOTTOM OF WINGS				11.2 C. Y.	
POUR #2 UPPER WINGS				1.2 C. Y.	
POUR #3 LATERAL GUIDE				0.1 C. Y.	
TOTAL CLASS A CONCRETE				12.5 C. Y.	
HP 12 x 53 STEEL PILES					
NO. = 7 LIN. FT. = 175.0					

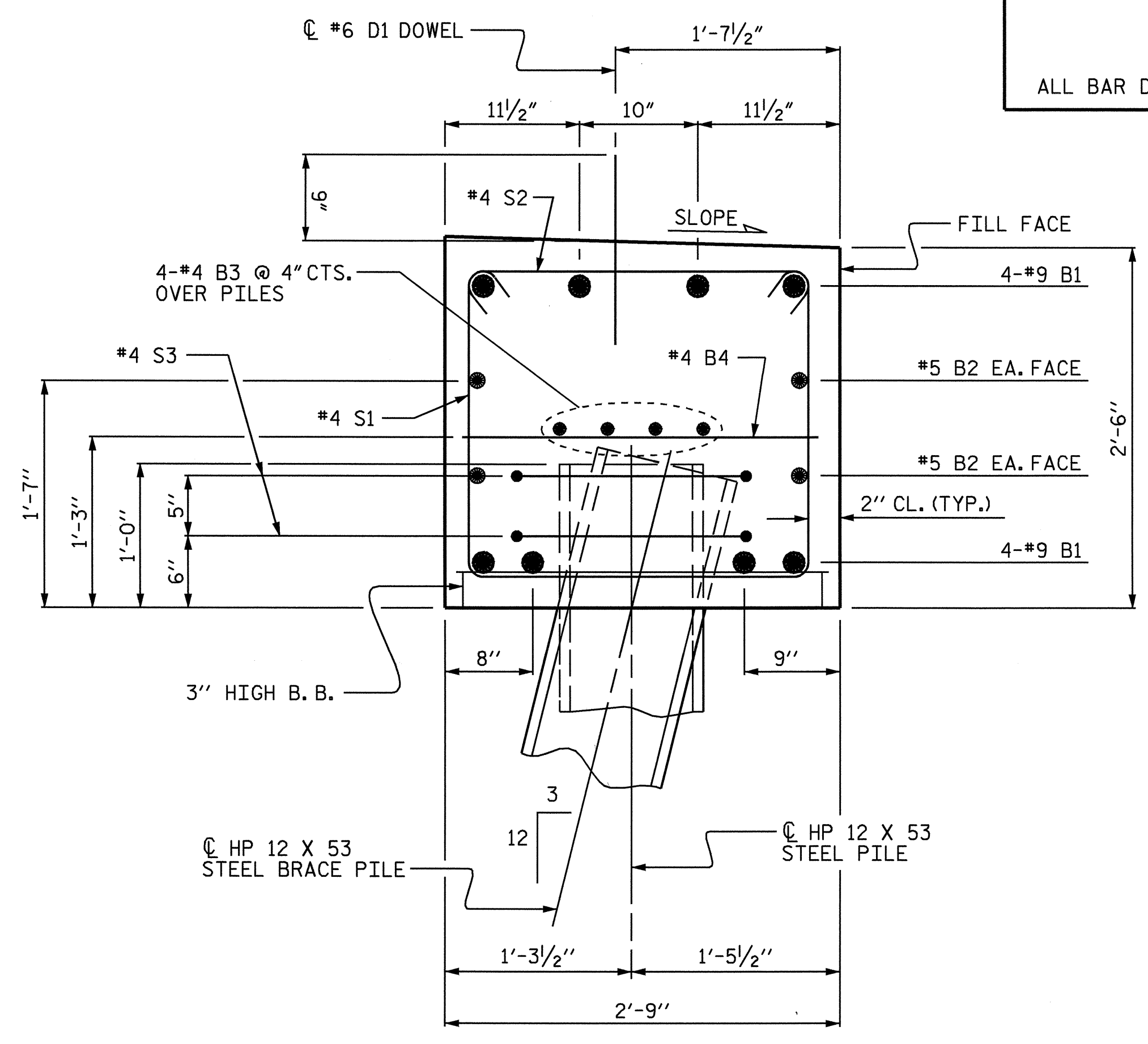


BAGGED STONE AND PIPE SHALL BE PLACED IMMEDIATELY AFTER COMPLETION OF END BENT EXCAVATION. PIPE MAY BE EITHER CONCRETE, CORRUGATED STEEL, CORRUGATED ALUMINUM ALLOY, OR CORRUGATED PLASTIC. PERFORATED PIPE WILL NOT BE ALLOWED.

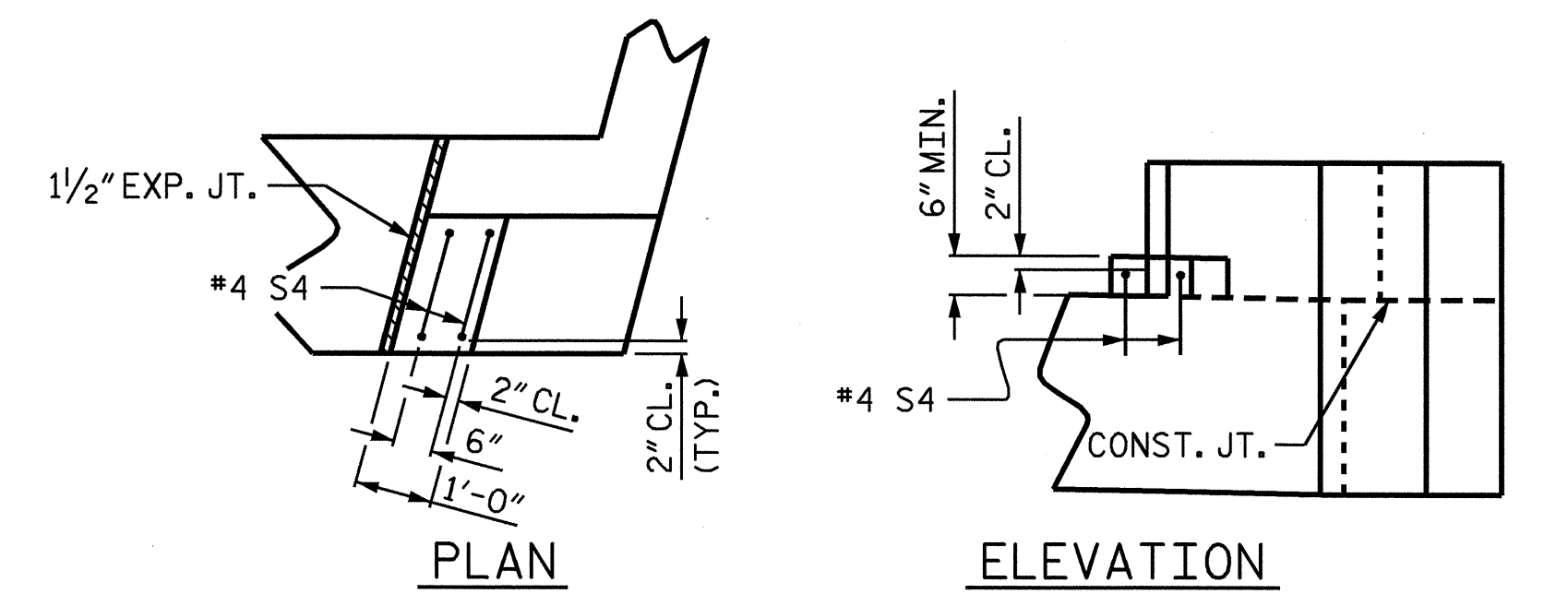
BAGGED STONE SHALL REMAIN IN PLACE UNTIL THE ENGINEER DIRECTS THAT IT BE REMOVED. THE CONTRACTOR SHALL REMOVE AND DISPOSE OF SILT ACCUMULATIONS AT BAGGED STONE WHEN SO DIRECTED BY THE ENGINEER. BAGS SHALL BE REMOVED AND REPLACED WHENEVER THE ENGINEER DETERMINES THAT THEY HAVE DETERIORATED AND LOST THEIR EFFECTIVENESS.

NO SEPARATE PAYMENT WILL BE MADE FOR THIS WORK AND THE ENTIRE COST OF THIS WORK SHALL BE INCLUDED IN THE UNIT CONTRACT PRICE BID FOR THE SEVERAL PAY ITEMS.

TEMPORARY DRAINAGE AT END BENT



SECTION A-A



LATERAL GUIDE DETAIL
(RIGHT LATERAL GUIDE SHOWN, LEFT LATERAL GUIDE SIMILAR)

PROJECT NO. B-4058
CASWELL COUNTY
STATION: 16+75.55 -L-

SHEET 3 OF 3

STATE OF NORTH CAROLINA
DEPARTMENT OF TRANSPORTATION
RALEIGH

SUBSTRUCTURE
END BENT No. 2

REVISIONS						SHEET NO.
NO.	BY:	DATE:	NO.	BY:	DATE:	S-20
1			3			TOTAL SHEETS
2			4			25

DRAWN BY: P.C. BREWER DATE: 12/2/03
CHECKED BY: C.H. SIMPSON DATE: 12/29/03

