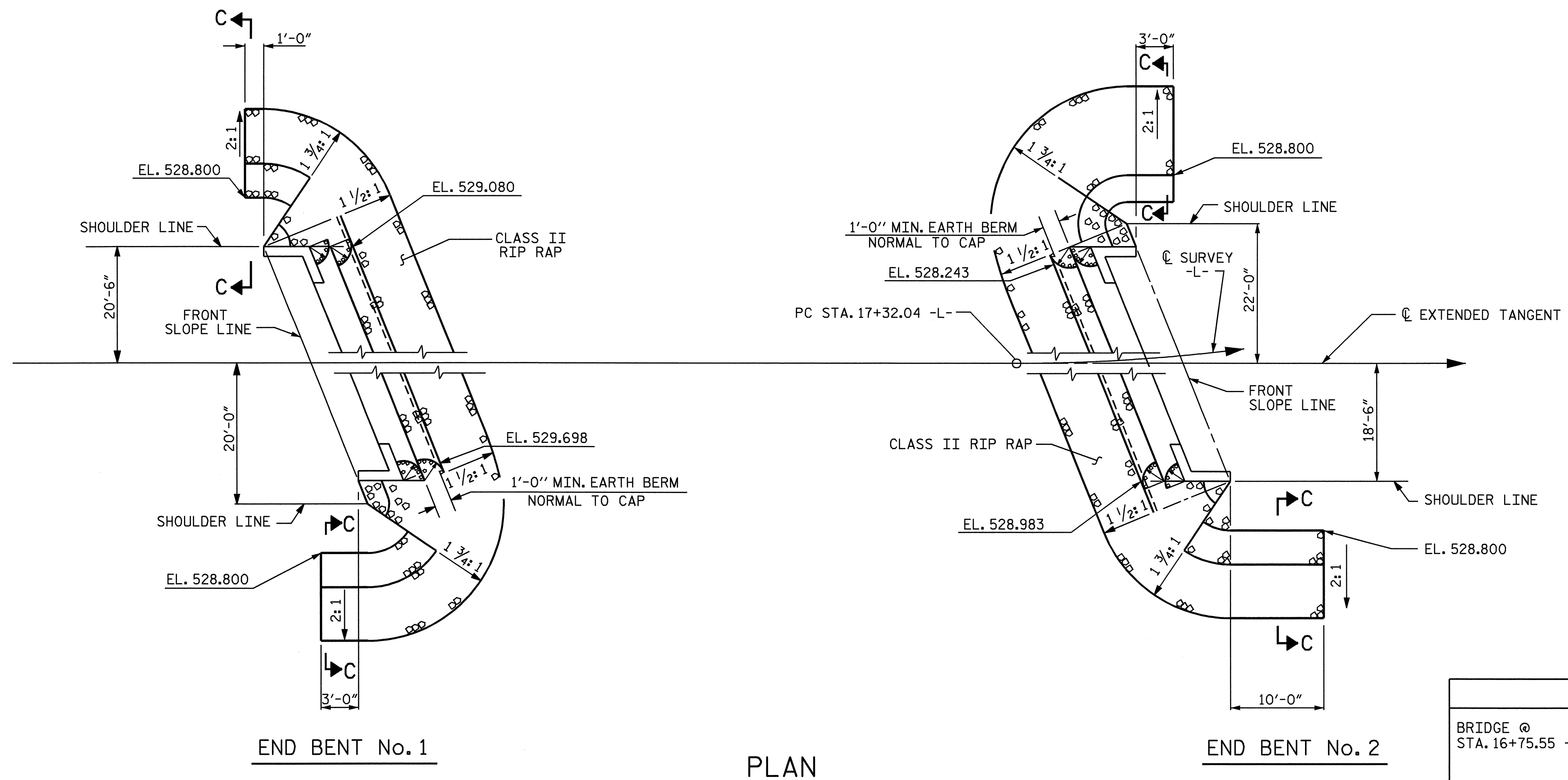
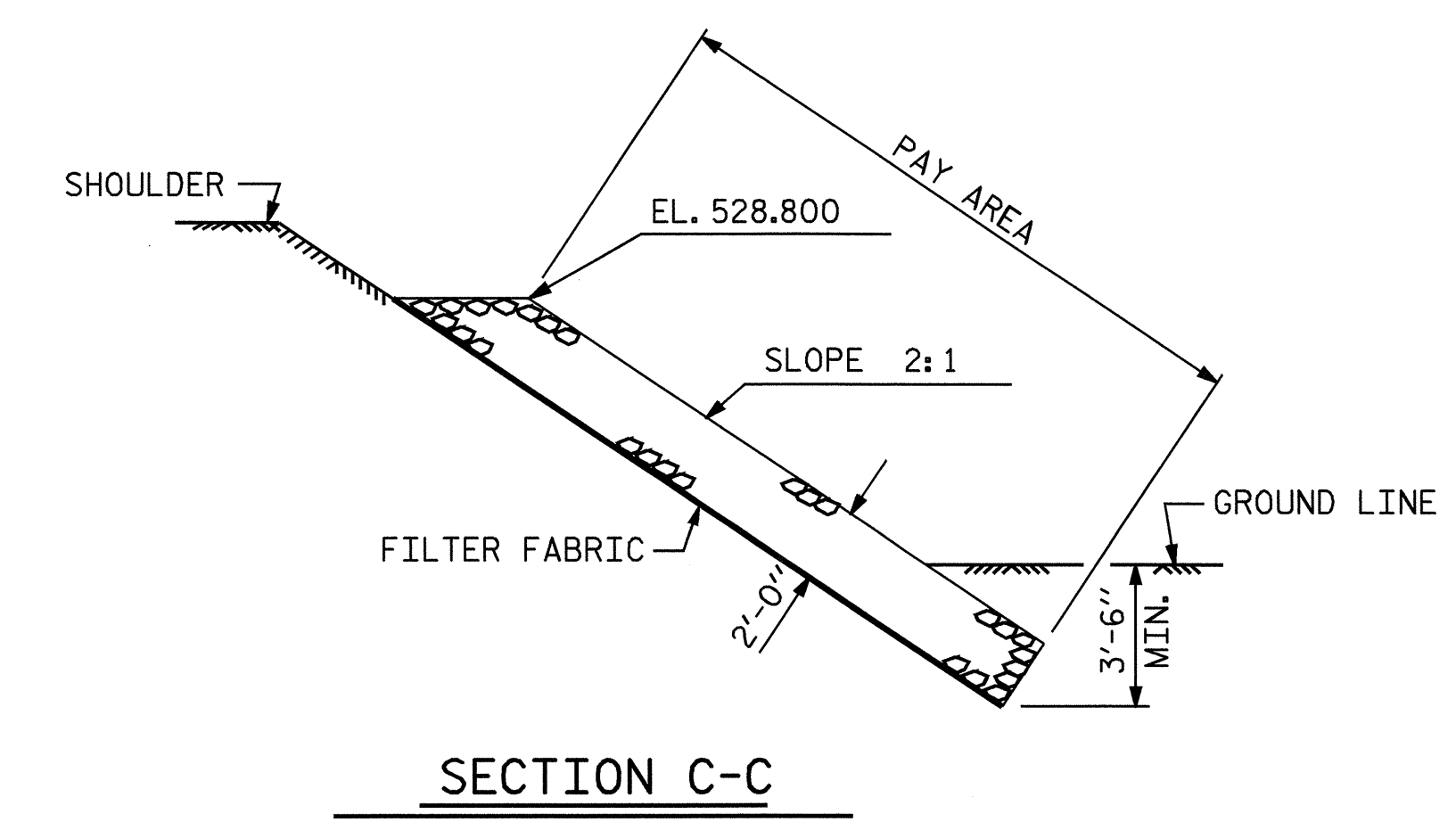
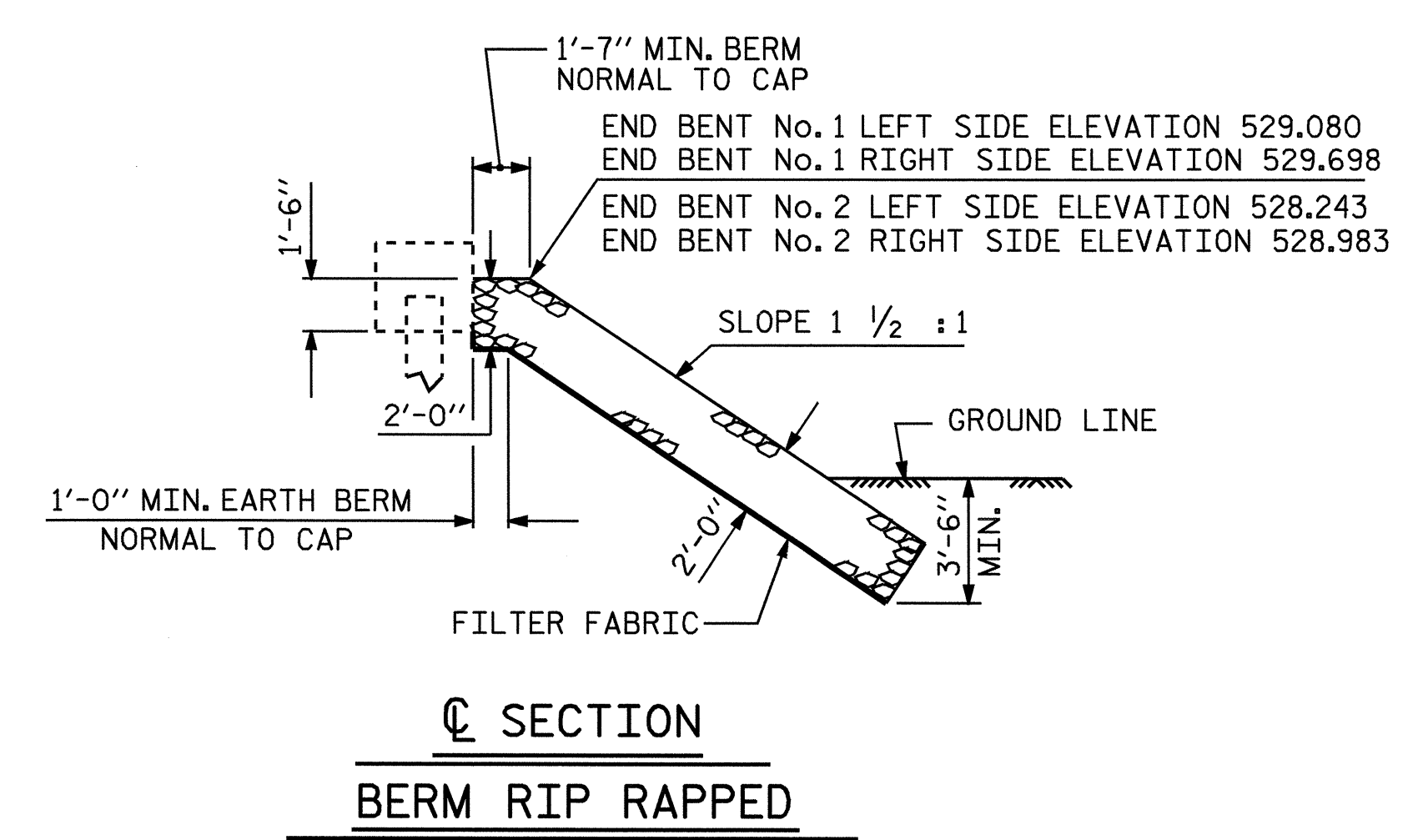


NOTE:
THE COST OF THE FILTER FABRIC SHALL BE INCLUDED
IN THE CONTRACT PRICE BID FOR PLAIN RIP RAP CLASS II.



ESTIMATED QUANTITIES		
BRIDGE @ STA. 16+75.55 -L-	PLAIN RIP RAP CLASS II	FILTER FABRIC FOR DRAINAGE
	TONS	SQUARE YARDS
END BENT No. 1	175	196
END BENT No. 2	176	196

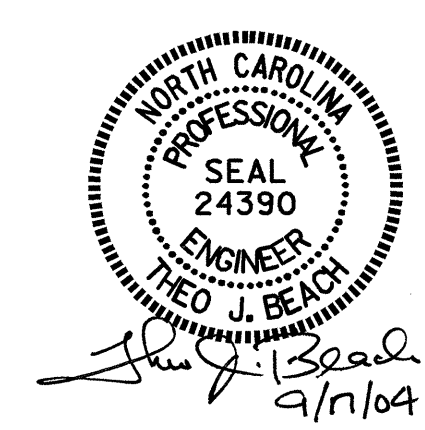


PROJECT NO. B-4058
CASWELL COUNTY
STATION: 16+75.55 -L-

STATE OF NORTH CAROLINA
DEPARTMENT OF TRANSPORTATION
RALEIGH

STANDARD
= RIP RAP DETAILS =

REVISIONS						SHEET NO.
NO.	BY:	DATE:	NO.	BY:	DATE:	S-21
1			3			TOTAL SHEETS
2			4			25



ASSEMBLED BY : S.B. WILLIAMS DATE : 1-15-04
CHECKED BY : P.C. BREWER DATE : 3-22-04
DRAWN BY : REK 1/84 REV. 7/17/98 REK/RWW
CHECKED BY : RDU 1/84 REV. 8/16/99 RWW/LES
REV. 10/17/00 RWW/LES