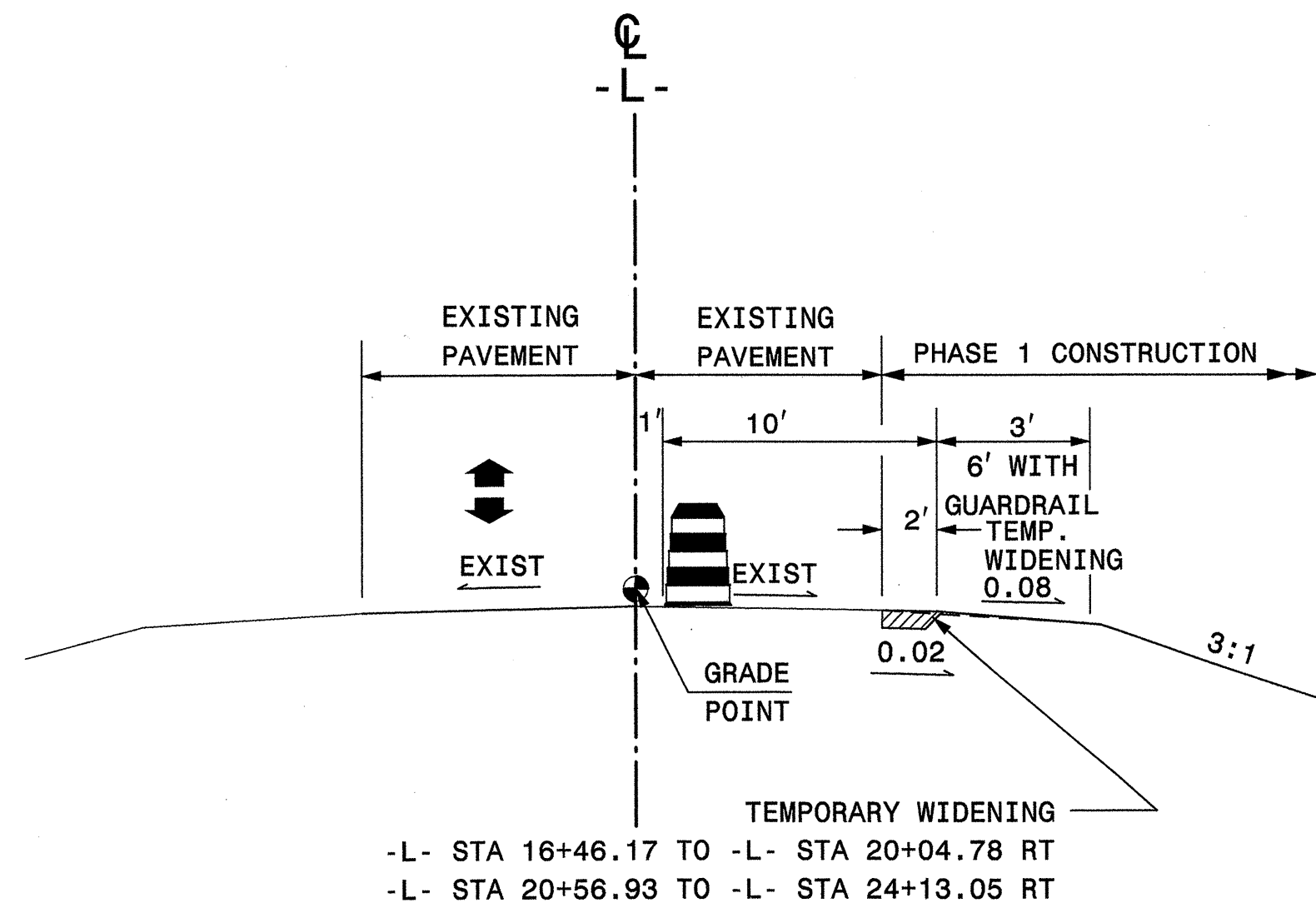
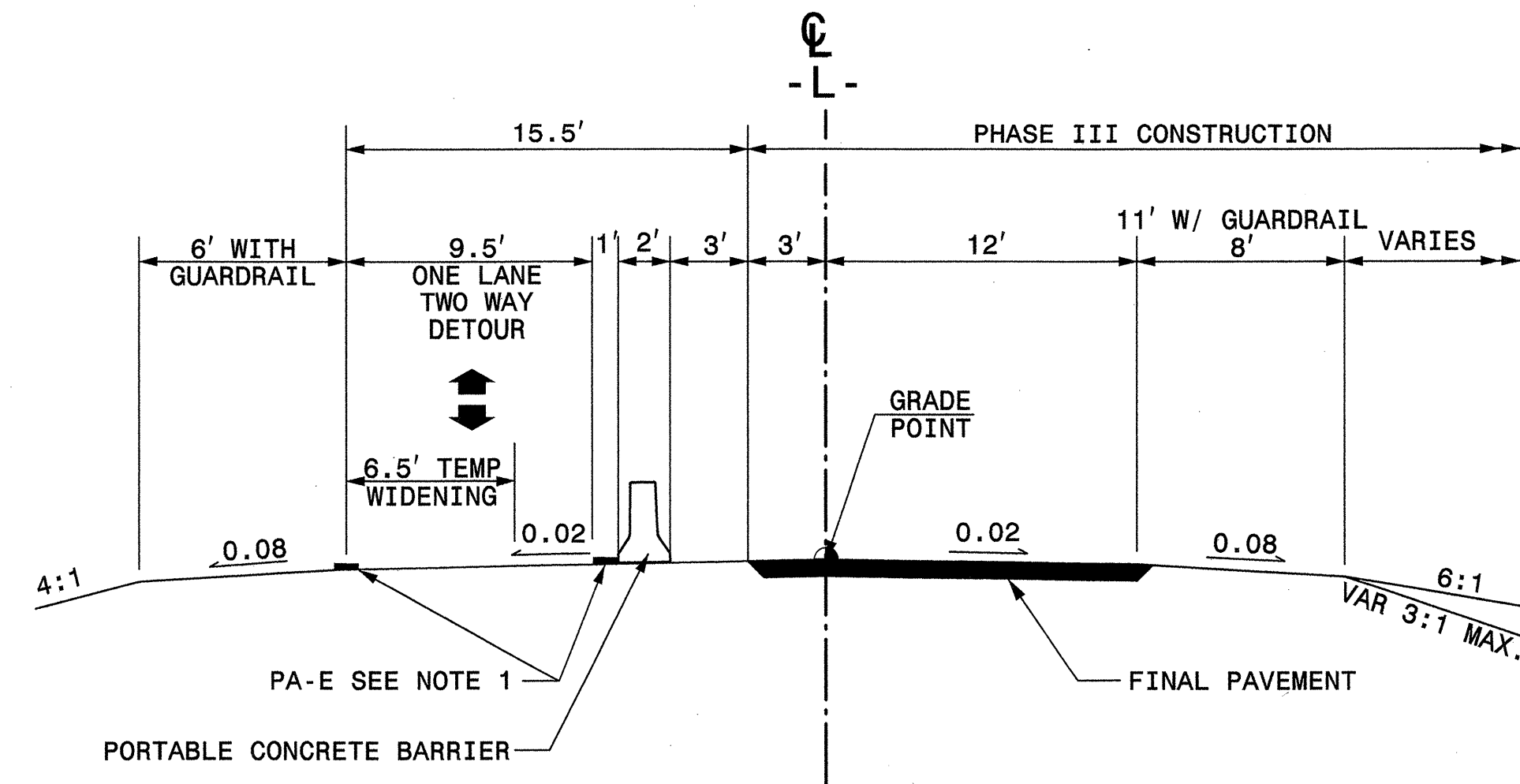


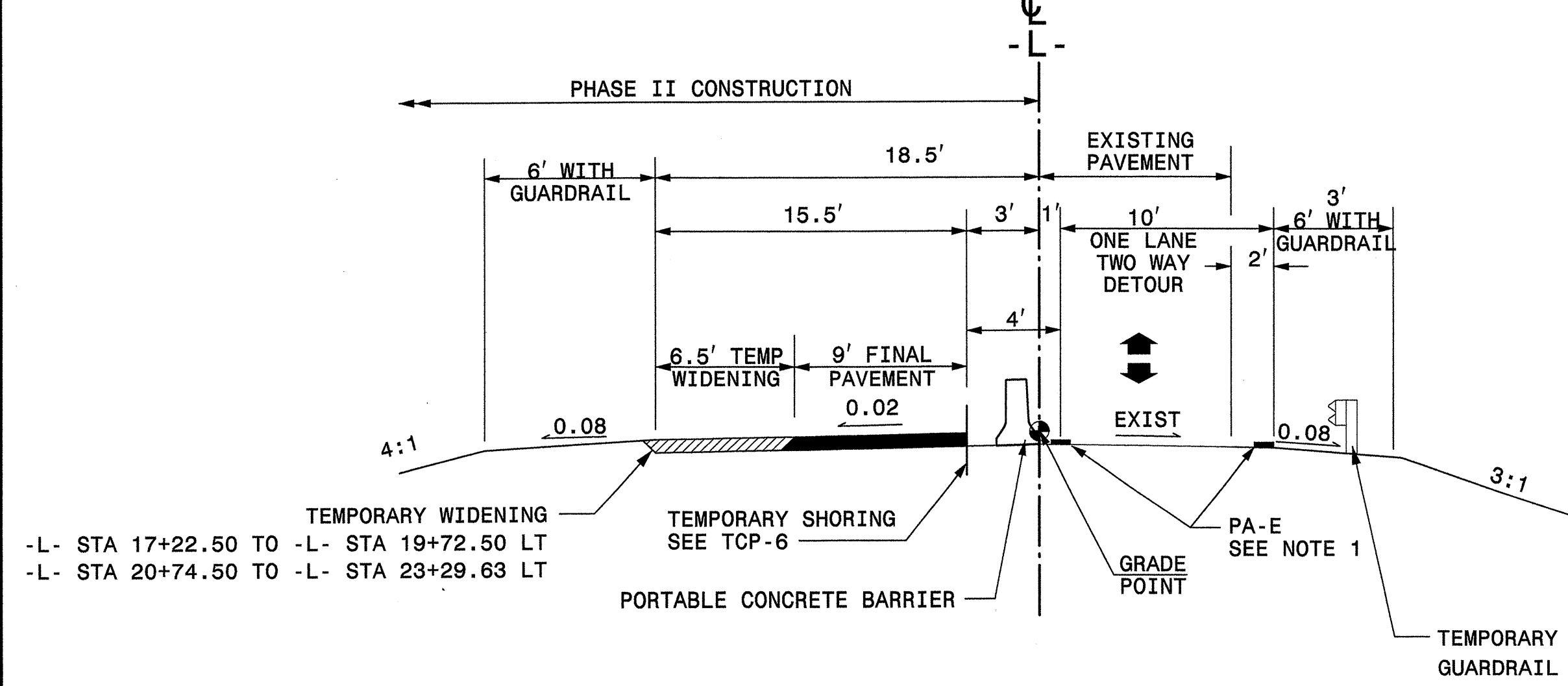
### PHASE I DETAIL 1 FOR WIDENING



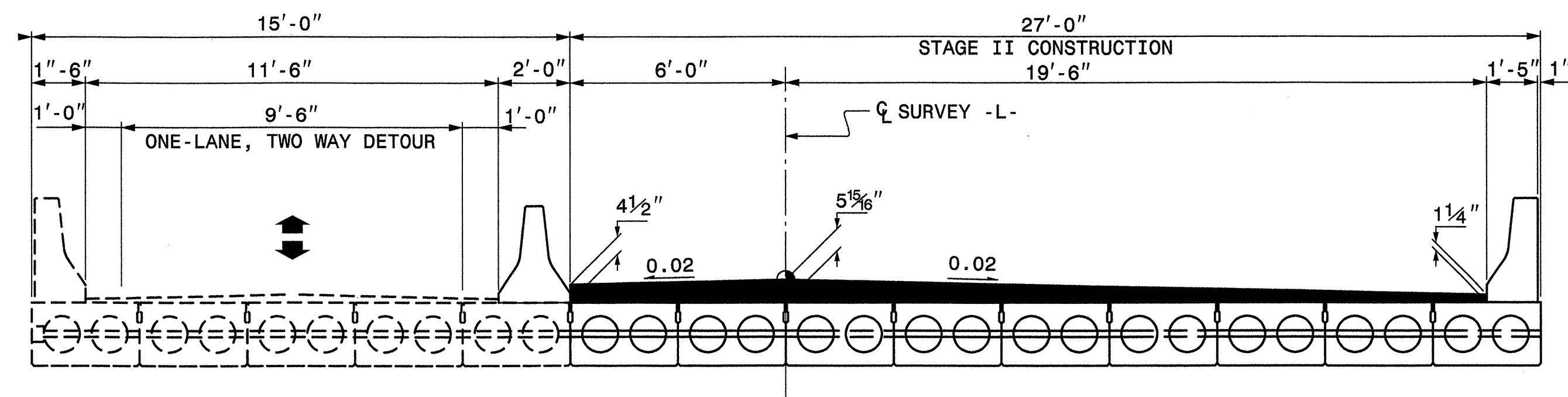
### PHASE III TYPICAL SECTION C-C'



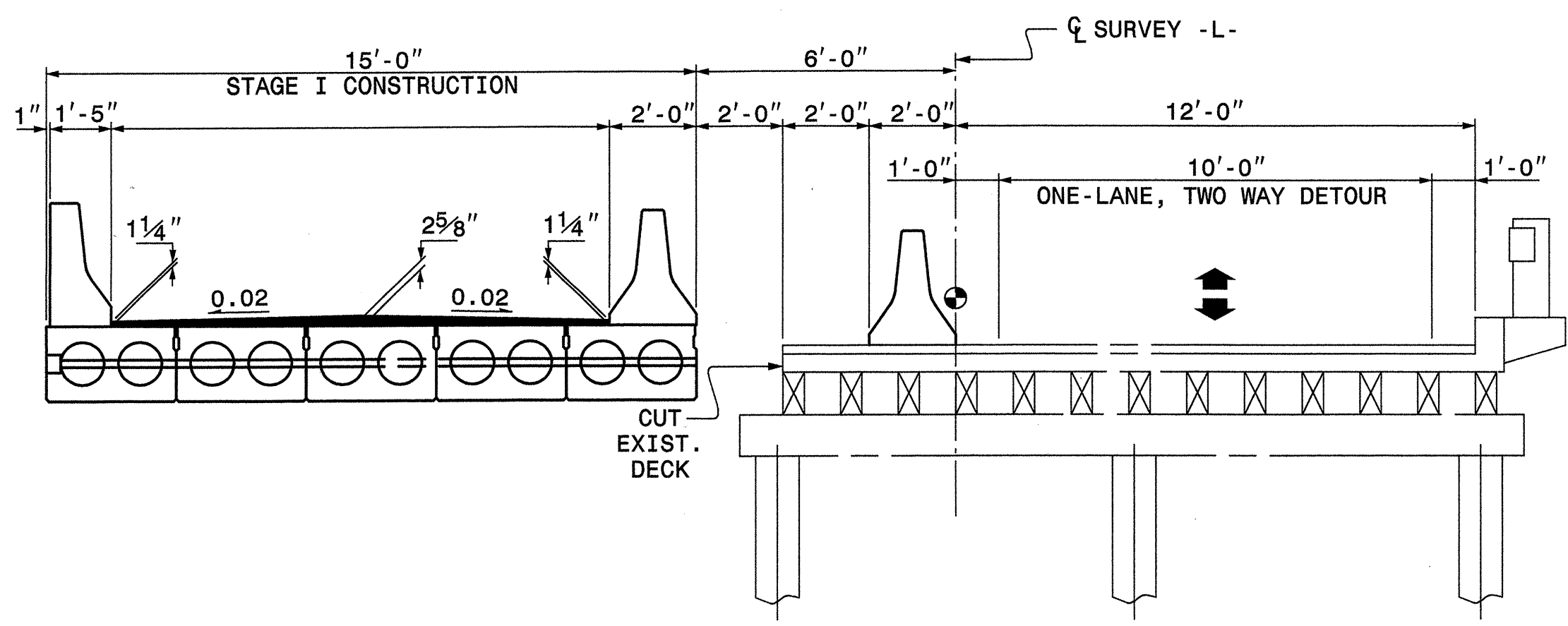
### PHASE II TYPICAL SECTION A-A'



### PHASE III TYPICAL SECTION D-D'



### PHASE II TYPICAL SECTION B-B'



SEE TCP-6

SEE TCP-6

NOTES:  
1) SEE SHEET TCP-6 AND TCP-7 FOR PAVEMENT MARKING LEGEND AND SCHEDULE.

APPROVED: _____ DATE: _____	<b>SECTION VIEWS</b>																					
			<table border="1"> <tr> <td>SCALE: NONE</td> <td rowspan="5" style="text-align: center;"> </td> <td rowspan="5"> <table border="1"> <tr> <th colspan="2">REVISIONS</th> </tr> <tr> <td> </td> <td> </td> </tr> <tr> <td> </td> <td> </td> </tr> <tr> <td> </td> <td> </td> </tr> <tr> <td> </td> <td> </td> </tr> </table> </td> </tr> <tr> <td>DATE: 9/30/02</td> <td> </td> </tr> <tr> <td>DWG. BY: DRN</td> <td> </td> </tr> <tr> <td>DESIGN BY: DRN</td> <td> </td> </tr> <tr> <td>REVIEWED BY: JWP</td> <td> </td> </tr> </table>	SCALE: NONE		<table border="1"> <tr> <th colspan="2">REVISIONS</th> </tr> <tr> <td> </td> <td> </td> </tr> <tr> <td> </td> <td> </td> </tr> <tr> <td> </td> <td> </td> </tr> <tr> <td> </td> <td> </td> </tr> </table>	REVISIONS										DATE: 9/30/02		DWG. BY: DRN		DESIGN BY: DRN	
SCALE: NONE		<table border="1"> <tr> <th colspan="2">REVISIONS</th> </tr> <tr> <td> </td> <td> </td> </tr> <tr> <td> </td> <td> </td> </tr> <tr> <td> </td> <td> </td> </tr> <tr> <td> </td> <td> </td> </tr> </table>	REVISIONS																			
REVISIONS																						
DATE: 9/30/02																						
DWG. BY: DRN																						
DESIGN BY: DRN																						
REVIEWED BY: JWP																						

\$\$\$\$\$SYTIME\$\$\$\$\$  
\$\$\$\$\$DDCN\$\$\$\$\$  
\$\$\$\$\$SUSERNAME\$\$\$\$\$