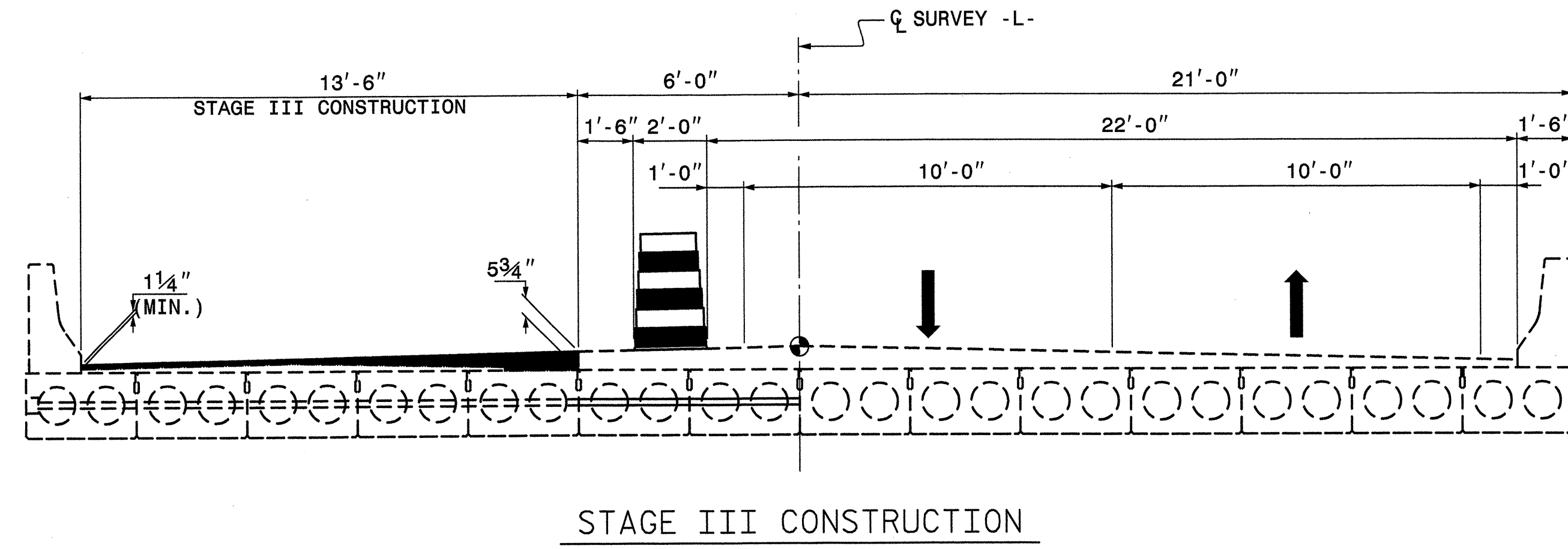
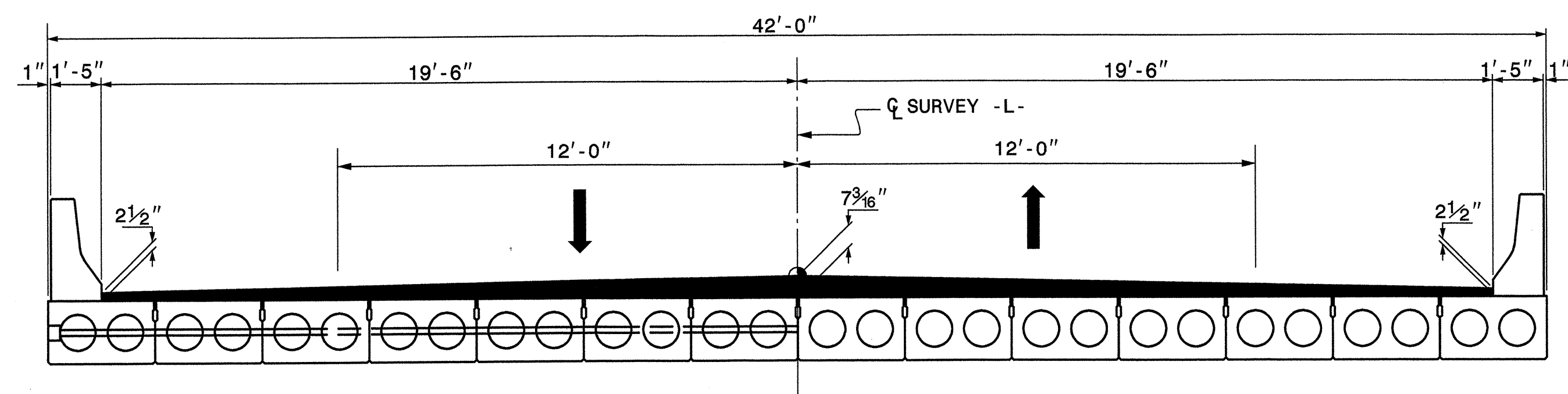


PHASE III TYPICAL SECTION E-E'



PHASE III TYPICAL SECTION F-F'



\$\$\$SYSTEMTIME\$\$\$
 \$\$\$DCN\$\$\$
 \$\$\$USERNAME\$\$\$

NOTES:
 1) SEE SHEET TCP-6 AND TCP-7 FOR PAVEMENT MARKING LEGEND AND SCHEDULE.

APPROVED:	DATE:	SECTION VIEWS	
SCALE:	NONE		REVISIONS
DATE:	9/30/02		
DWG. BY:	DRN		
DESIGN BY:	DRN		
REVIEWED BY:	JWP		CADD FILE