

8/17/99

PAVEMENT SCHEDULE

C1	PROP. APPROX. 2.5" ASPHALT CONCRETE SURFACE COURSE, TYPE SF9.5A, AT AN AVERAGE RATE OF 137.5 LBS. PER SQ. YD. TO BE PLACED IN EACH OF TWO LAYERS.
C2	PROP. APPROX. 1.5" ASPHALT CONCRETE SURFACE COURSE, TYPE SF9.5A, AT AN AVERAGE RATE OF 165 LBS. PER SQ. YD.
C3	PROP. APPROX. 1.25" ASPHALT CONCRETE SURFACE COURSE, TYPE SF9.5A, AT AN AVERAGE RATE OF 137.5 LBS. PER SQ. YD.
E1	PROP. APPROX. 5" ASPHALT CONCRETE BASE COURSE, TYPE B25.0B, AT AN AVERAGE RATE OF 570 LBS. PER SQ. YD.
E2	PROP. APPROX. 3.5" ASPHALT CONCRETE BASE COURSE, TYPE B25.0B, AT AN AVERAGE RATE OF 399 LBS. PER SQ. YD.
E3	PROP. VAR. DEPTH ASPHALT CONCRETE BASE COURSE, TYPE B25.0B, AT AN AVERAGE RATE OF 114 LBS. PER SQ. YD. PER 1" DEPTH. TO BE PLACED IN LAYERS NOT LESS THAN 3" IN DEPTH OR GREATER THAN 5.5" IN DEPTH.
R4	SHOULDER BERM GUTTER
T	EARTH MATERIAL.
U	EXISTING PAVEMENT.
W	VARIABLE DEPTH ASPHALT PAVEMENT (SEE WEDGING DETAIL)

NOTES:

1) PAVEMENT EDGE SLOPES ARE 1:1 UNLESS OTHERWISE SHOWN.

PREPARED BY:
SEAR·BROWN
 1000 Corporate Drive, Suite 101
 Hillsborough, NC 27278-8551
 (919) 732-3883
 www.searbrown.com

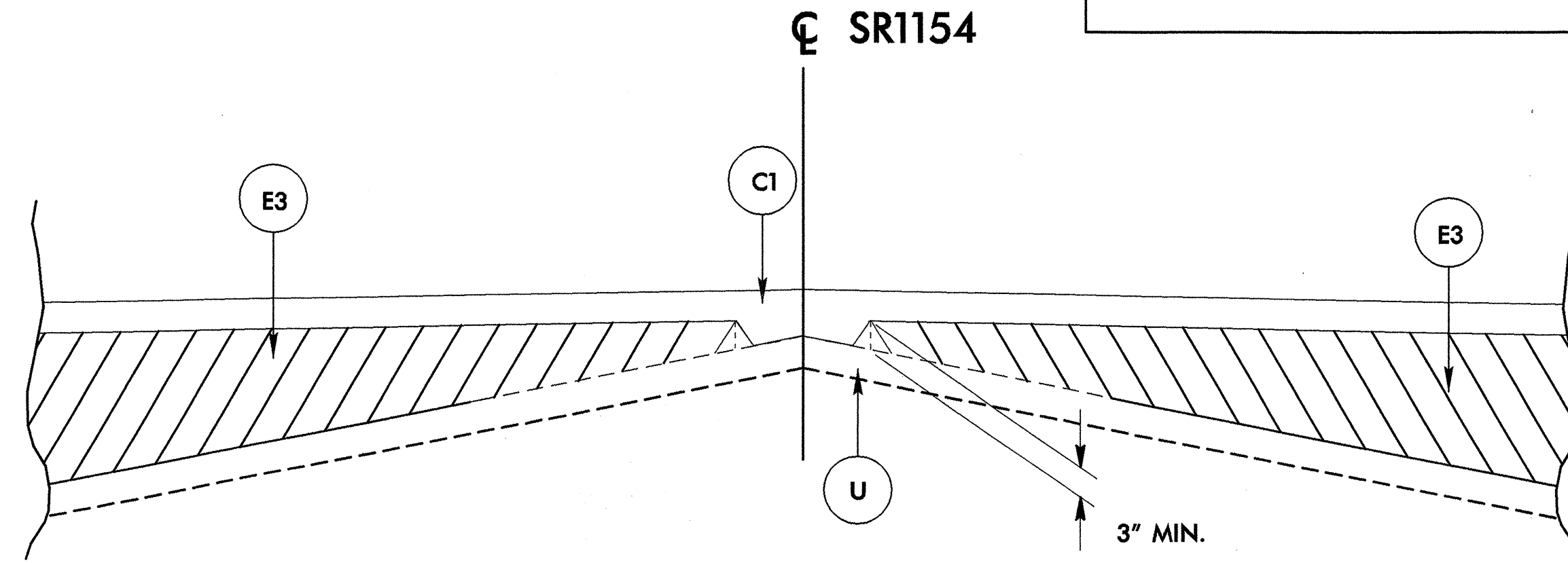
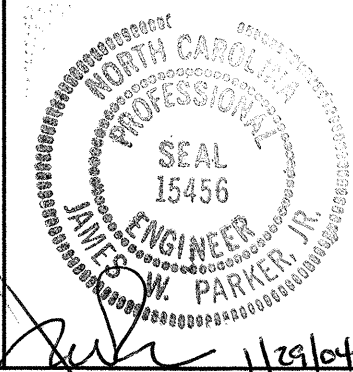
PROJECT REFERENCE NO. SHEET NO.

B-3626 2

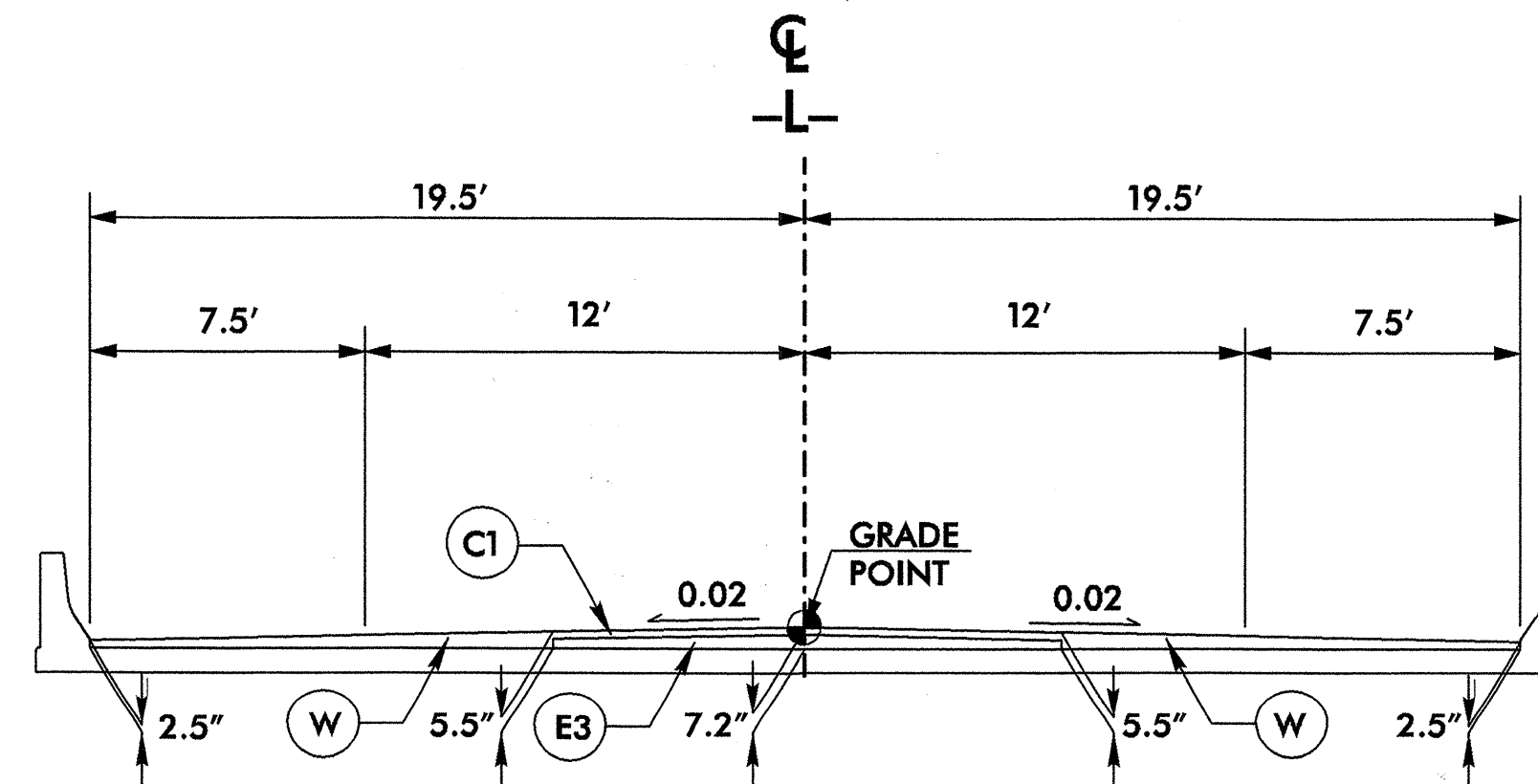
R/W SHEET NO.

ROADWAY DESIGN ENGINEER

PAVEMENT DESIGN ENGINEER



DETAIL SHOWING METHOD OF WEDGING



DETAIL OF WEARING SURFACE ON BRIDGE

REVISIONS

SYSTEMS
 DESIGN
 &
 CONSTRUCTION
 CONSULTANTS