

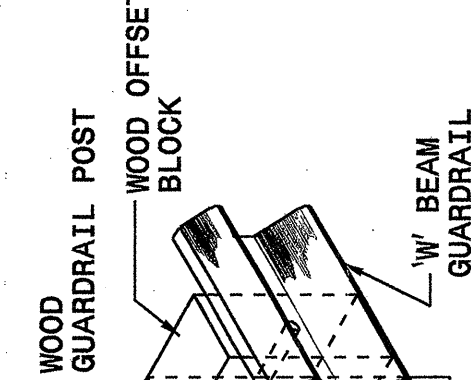
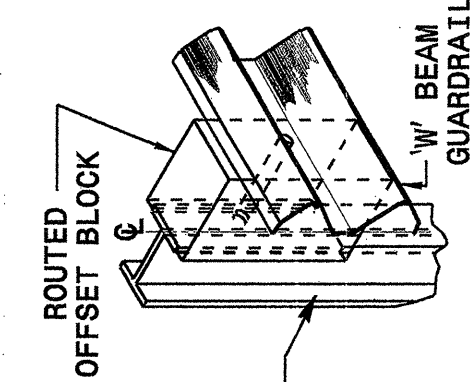
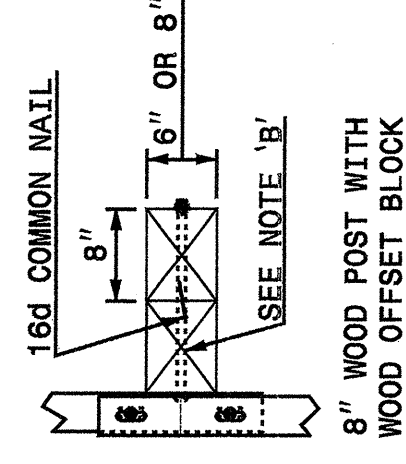
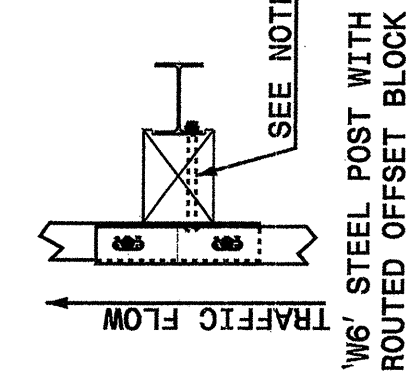
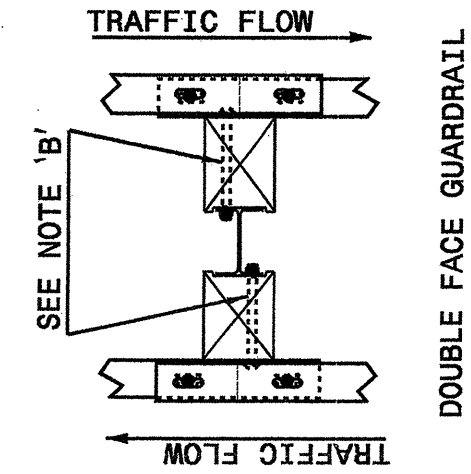
22 MAY 2003 09:17:01 \\sers\ward\stds\02\stds to Special Details\english\86202\0862d02.dgn  
 erickard 01 05212260

5/14/99

STATE OF  
 NORTH CAROLINA  
 DEPT. OF TRANSPORTATION  
 DIVISION OF HIGHWAYS  
 RALEIGH, N.C.

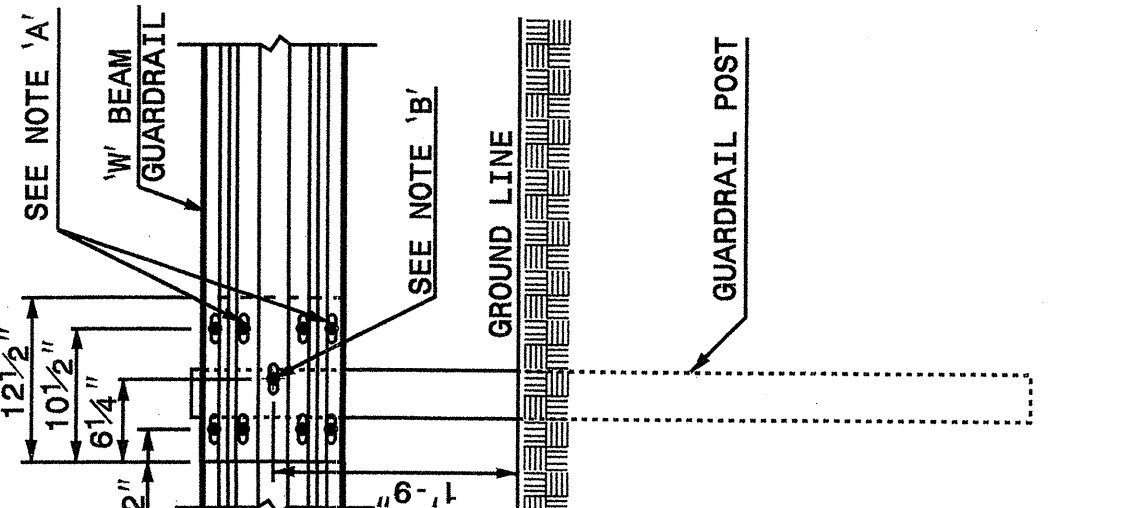
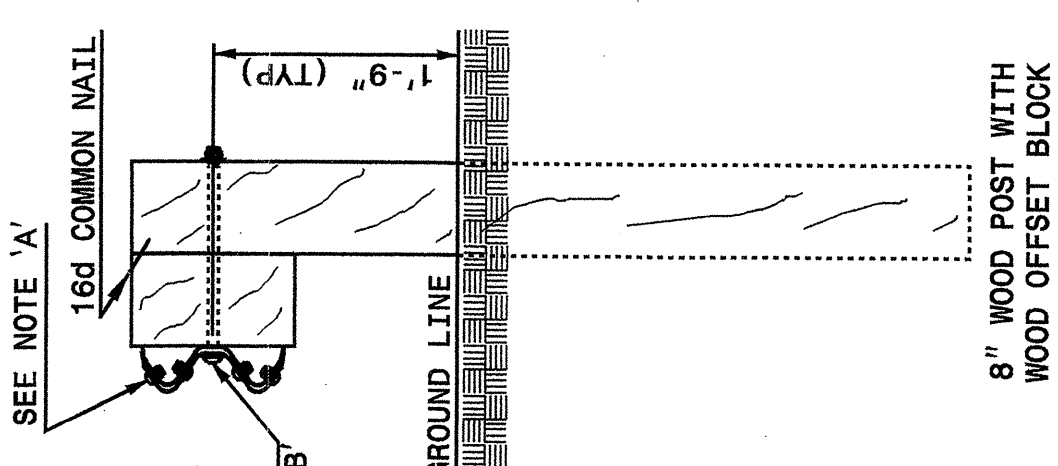
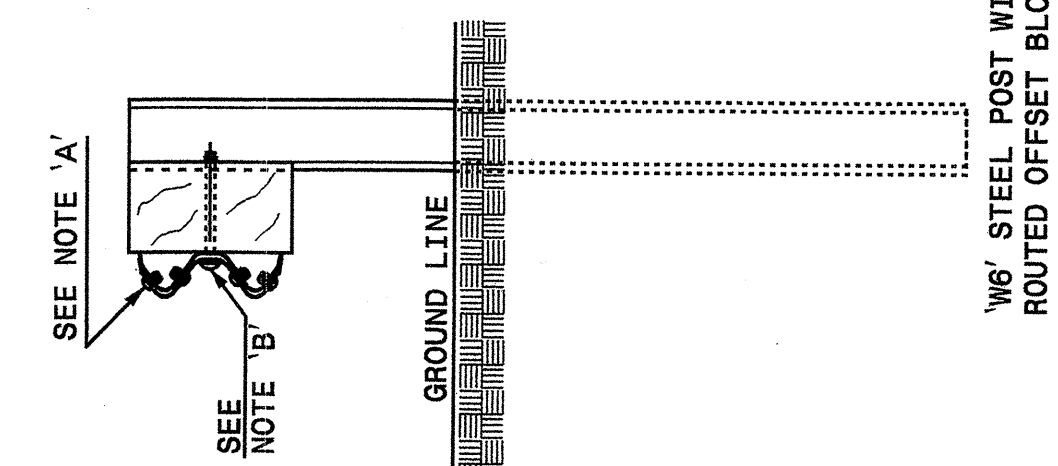
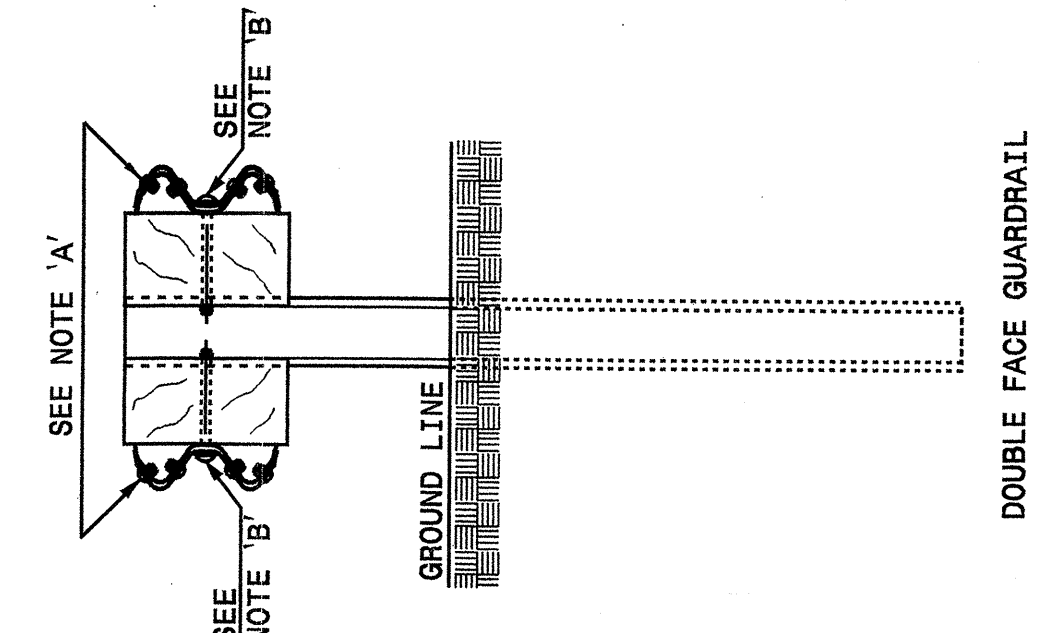
ENGLISH DETAIL DRAWING FOR  
**GUARDRAIL INSTALLATION**

SHEET 3 OF 7  
**862D02**



**PLAN**

**ISOMETRIC VIEWS**



**SIDE**

**FRONT**

NOTES:  
 A - 5/8" DIA. BUTTON HEAD SPLICE BOLT 1 1/4" LONG WITH STD. WASHER UNDER NUT (8 REQ. PER SPLICE JOINT).  
 B - 3/8" DIA. BUTTON HEAD BOLT 7 1/2" / 8" LONG WITH NUT FOR BOLTING 6" / 8" ROUTED OFFSET BLOCK TO STEEL POSTS OR  
 3/8" DIA. BUTTON HEAD BOLT 18" LONG WITH STD. WASHER UNDER NUT FOR BOLTING TO WOOD POSTS (1 REQ. PER LOCATION)  
 C - FIELD PUNCHING OF HOLES INTO GUARDRAIL SHALL BE AS DIRECTED BY THE ENGINEER.

**TYPICAL GUARDRAIL AND GUARDRAIL POST ALTERNATIVES**

STATE OF  
 NORTH CAROLINA  
 DEPT. OF TRANSPORTATION  
 DIVISION OF HIGHWAYS  
 RALEIGH, N.C.

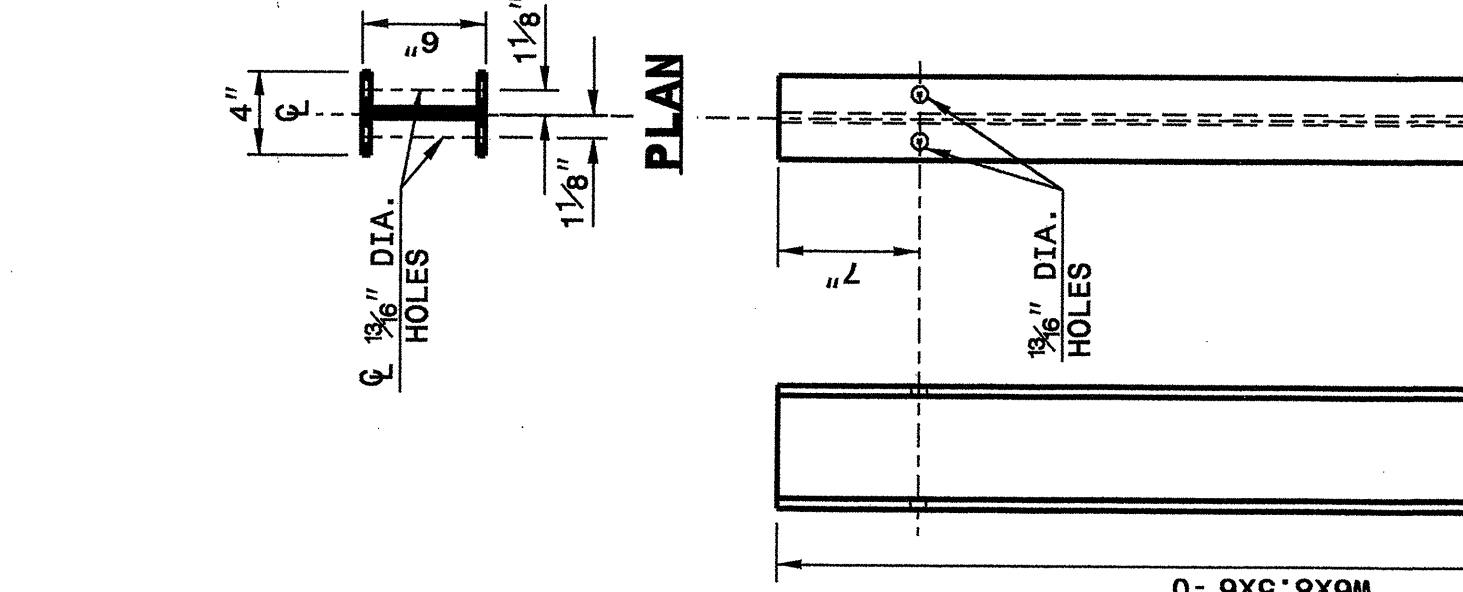
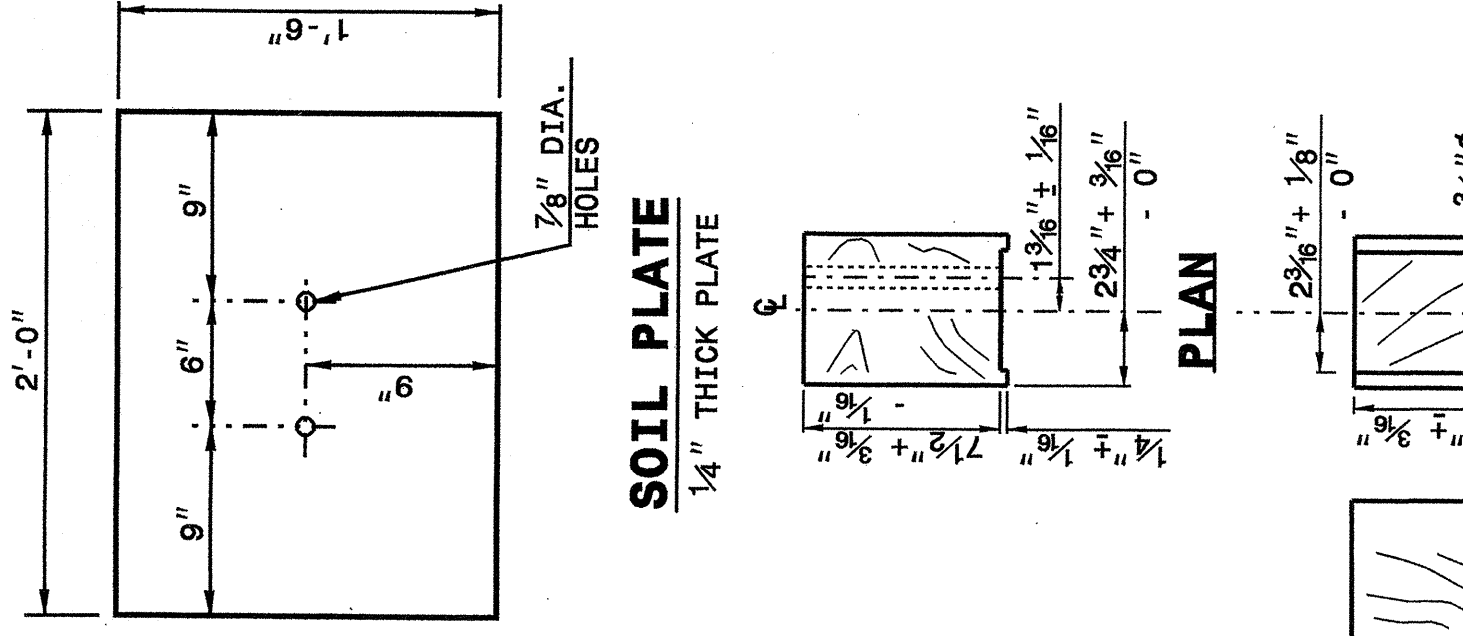
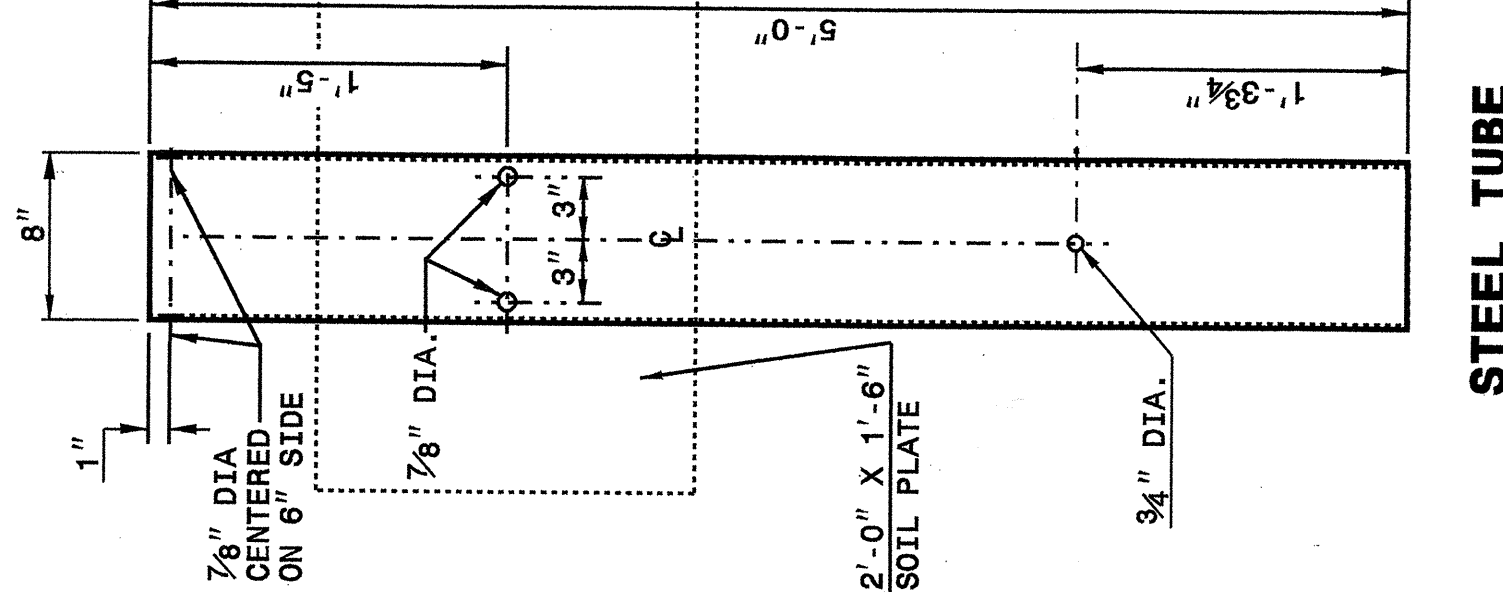
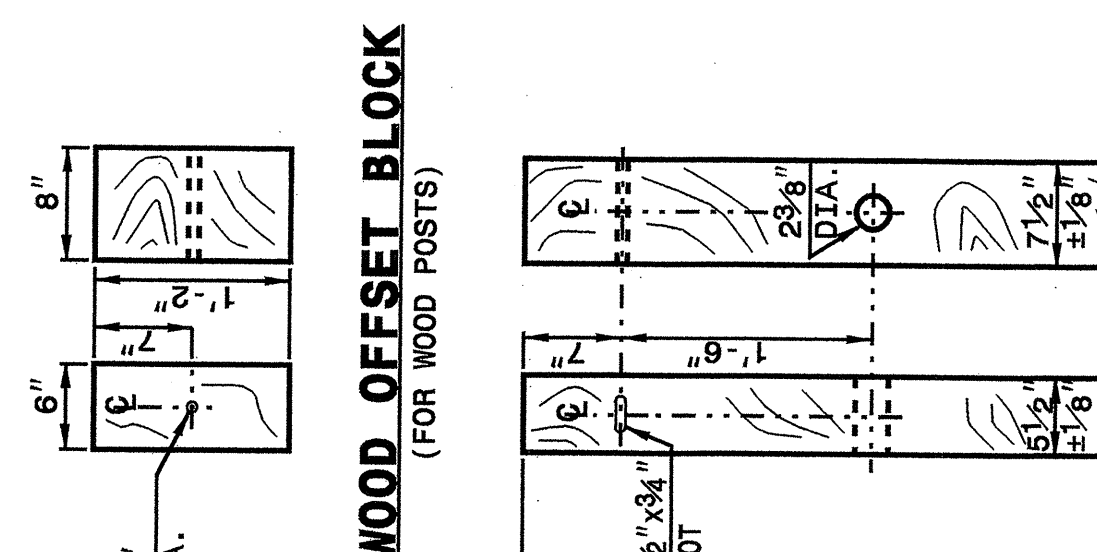
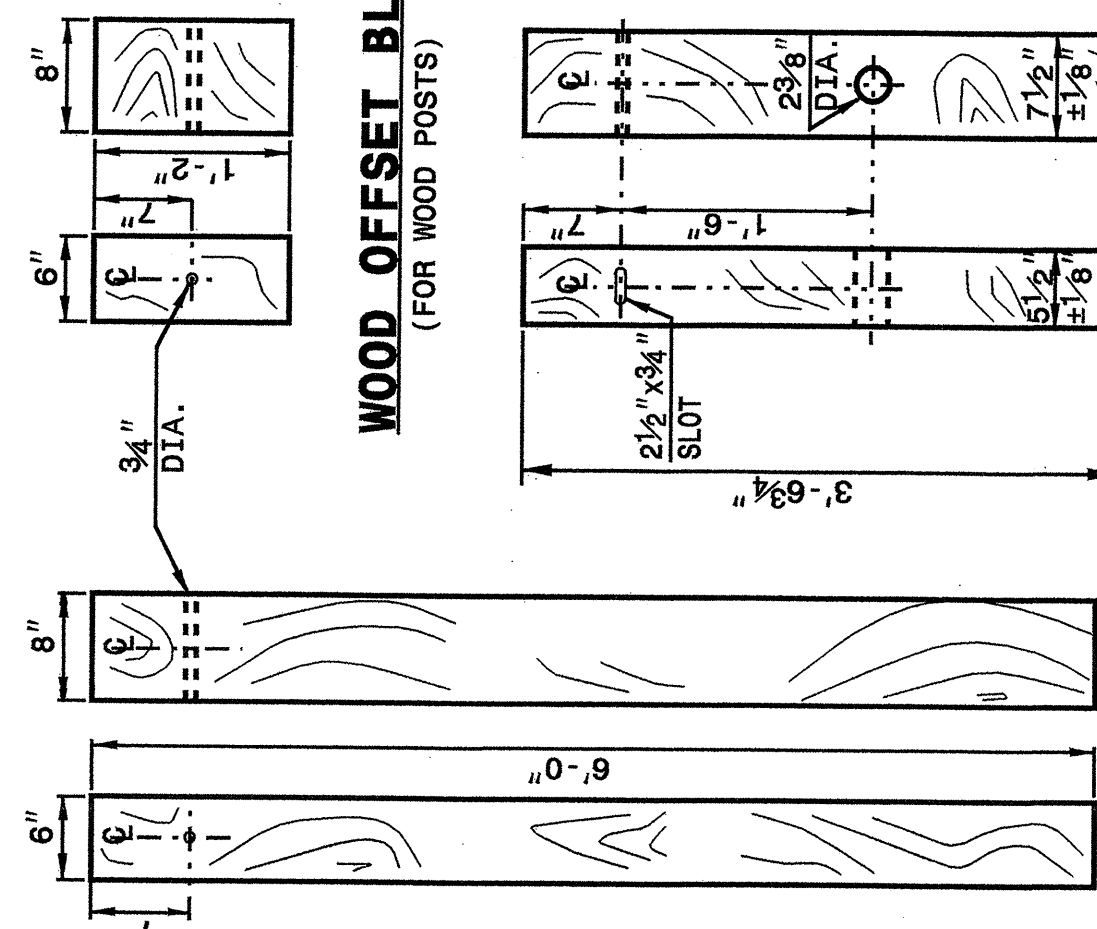
ENGLISH DETAIL DRAWING FOR  
**GUARDRAIL INSTALLATION**

SHEET 3 OF 7  
**862D02**

STATE OF  
 NORTH CAROLINA  
 DEPT. OF TRANSPORTATION  
 DIVISION OF HIGHWAYS  
 RALEIGH, N.C.

ENGLISH DETAIL DRAWING FOR  
**GUARDRAIL INSTALLATION**

SHEET 4 OF 7  
**862D02**



STATE OF  
 NORTH CAROLINA  
 DEPT. OF TRANSPORTATION  
 DIVISION OF HIGHWAYS  
 RALEIGH, N.C.

ENGLISH DETAIL DRAWING FOR  
**GUARDRAIL INSTALLATION**

SHEET 4 OF 7  
**862D02**

DESIGN SERVICES UNIT  
 STANDARDS AND SPECIAL DESIGN  
 Office 919-250-4128 FAX 919-250-4119

**SEE PLATE FOR TITLE**

ORIGINAL BY: 2002 STD. 862.02 DATE:  
 MODIFIED BY: E. E. WARD DATE: 02-09-03  
 CHECKED BY: [Signature] DATE: 3-02  
 FILE SPEC.: \\usr\stds\02\toob\211\eng\1sh\86202\862d02.dgn

