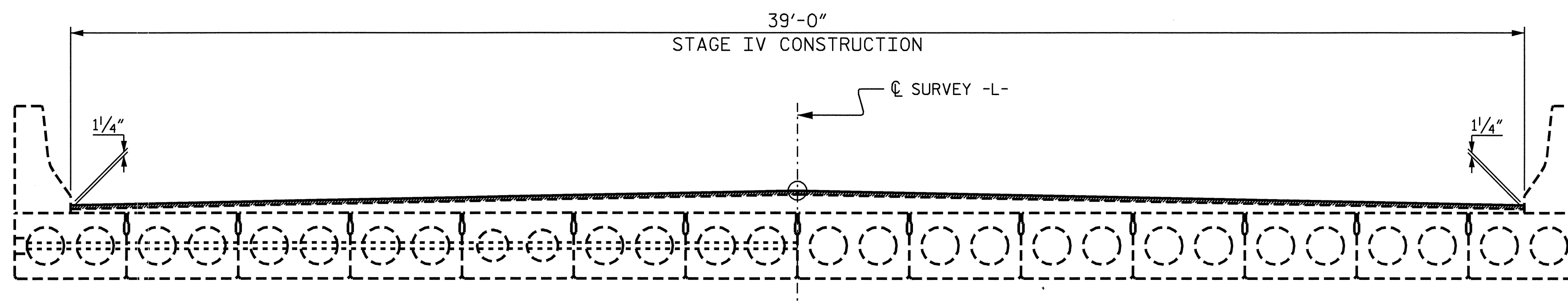


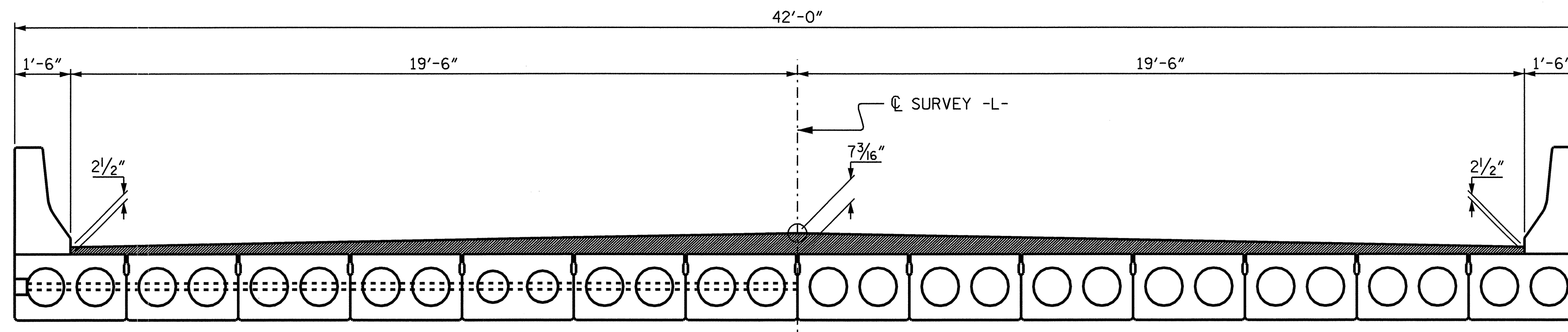
STAGE III CONSTRUCTION

PLACE TRAFFIC DRUMS AS SHOWN AND REMOVE TEMPORARY ANCHORED PORTABLE CONCRETE BARRIER IN STAGE I. FILL CONCRETE INSERTS WITH GROUT. PLACE ASPHALT WEDGING.



STAGE IV CONSTRUCTION

RELOCATE TRAFFIC DRUMS AS NECESSARY. PLACE FINAL 1/4" ASPHALT SURFACE COURSE.



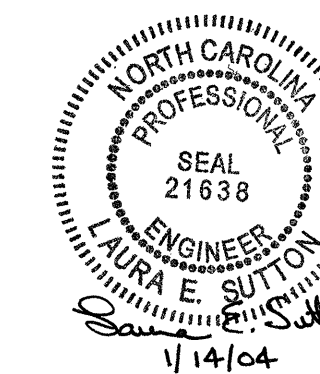
FINAL TYPICAL SECTION

PROJECT NO. B-3626
CARTERET COUNTY
 STATION: 20+29.50 -L-

SHEET 2 OF 2

STATE OF NORTH CAROLINA
 DEPARTMENT OF TRANSPORTATION
 RALEIGH

CONSTRUCTION SEQUENCE



REVISIONS						SHEET NO.
NO.	BY:	DATE:	NO.	BY:	DATE:	TOTAL SHEETS
1			3			S-5
2			4			23

06-JAN-2004 09:02
 181-11-100dL1036261aur+ron\33626.sd.pc_01.dgn

DRAWN BY : L.E. SUTTON DATE : 12-22-03
 CHECKED BY : P.S. ERVIN DATE : 12-22-03