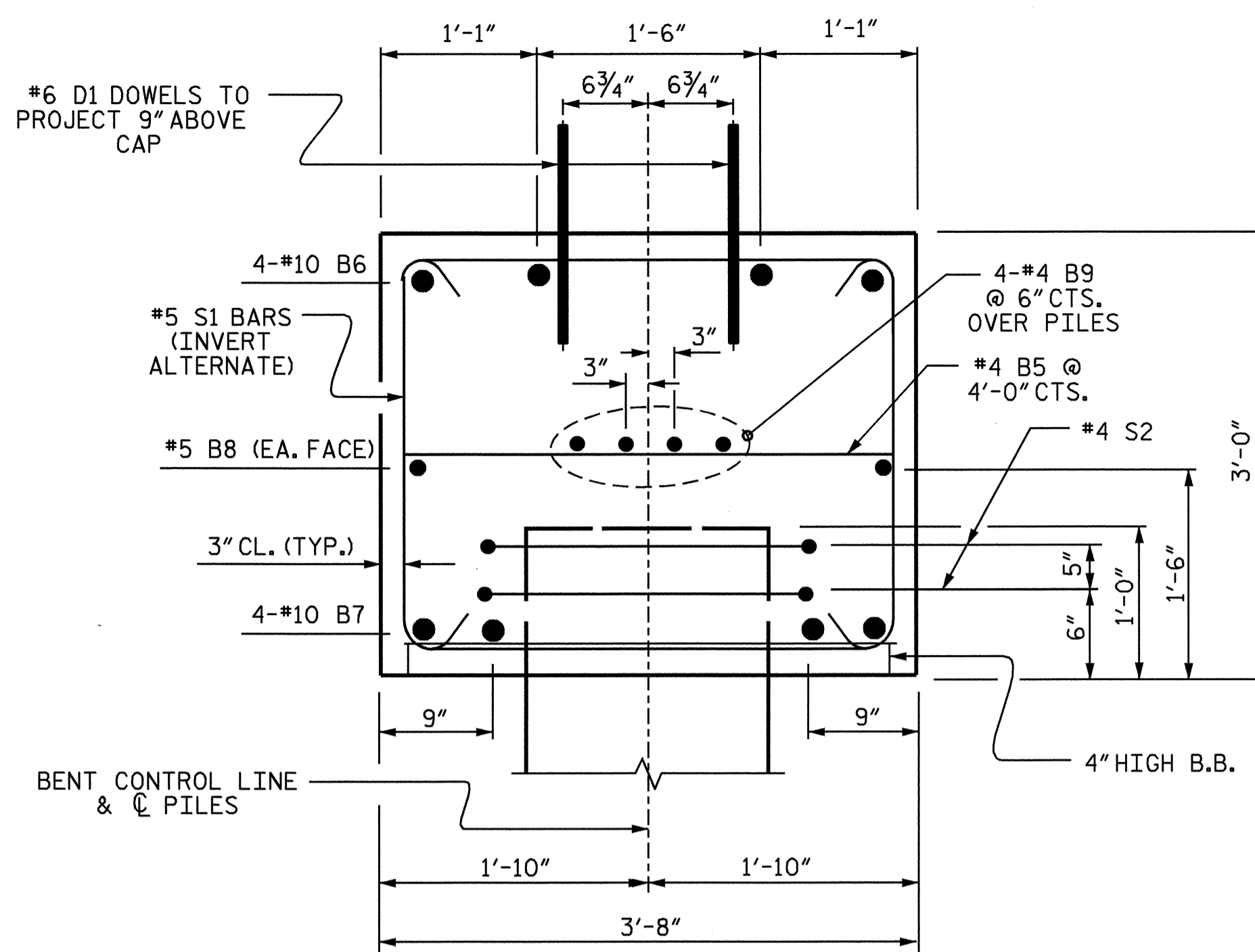
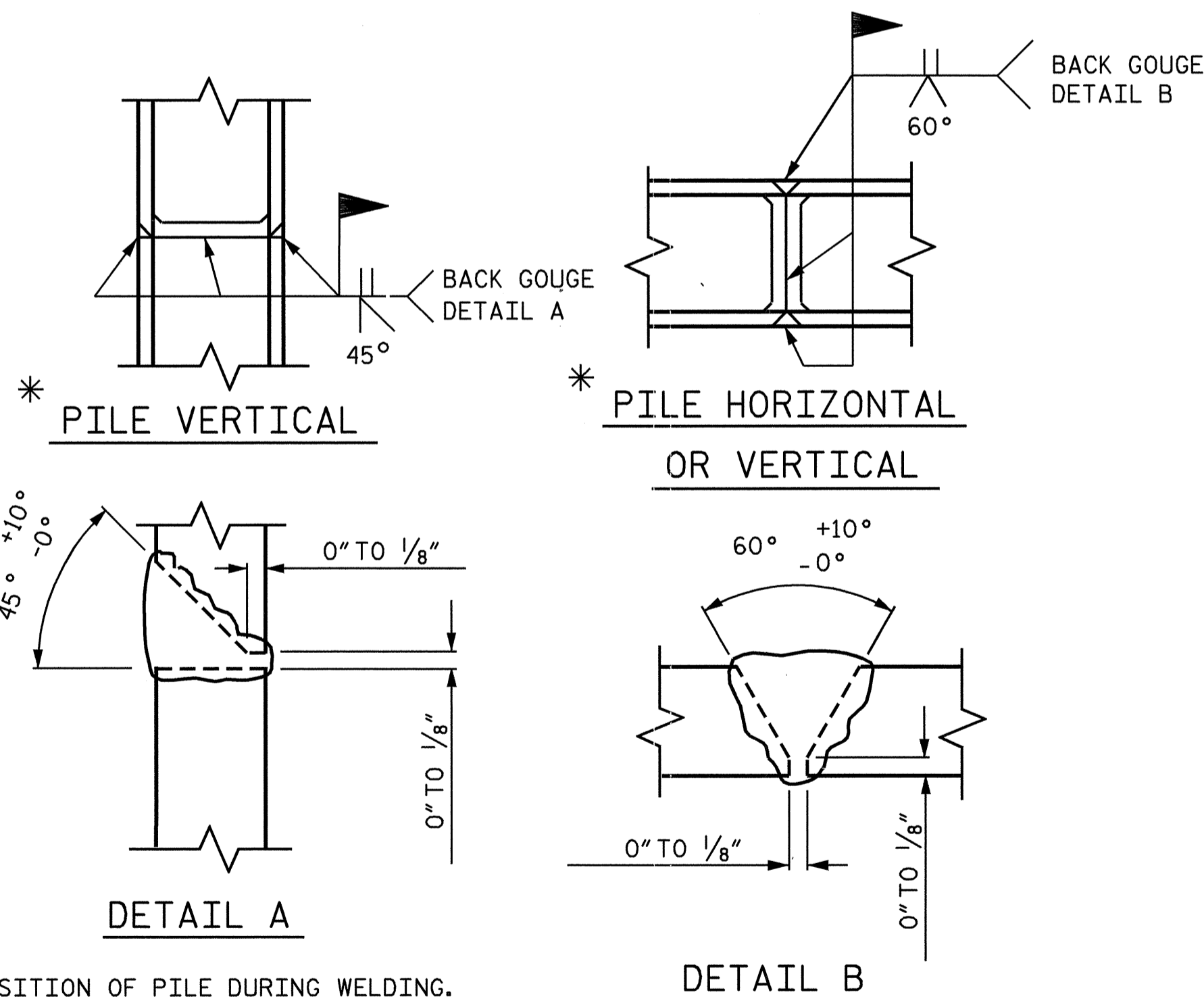


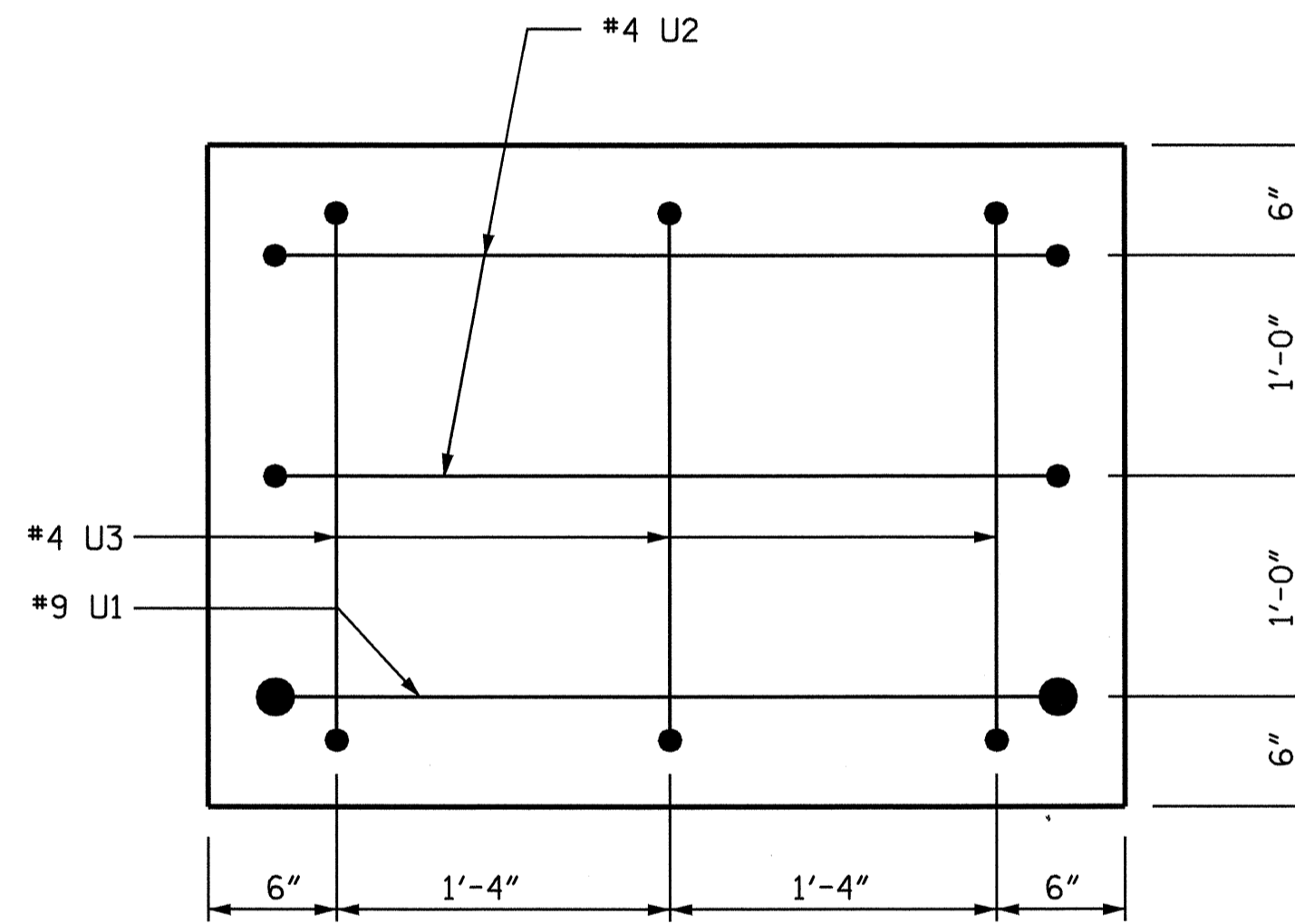
SECTION A-A



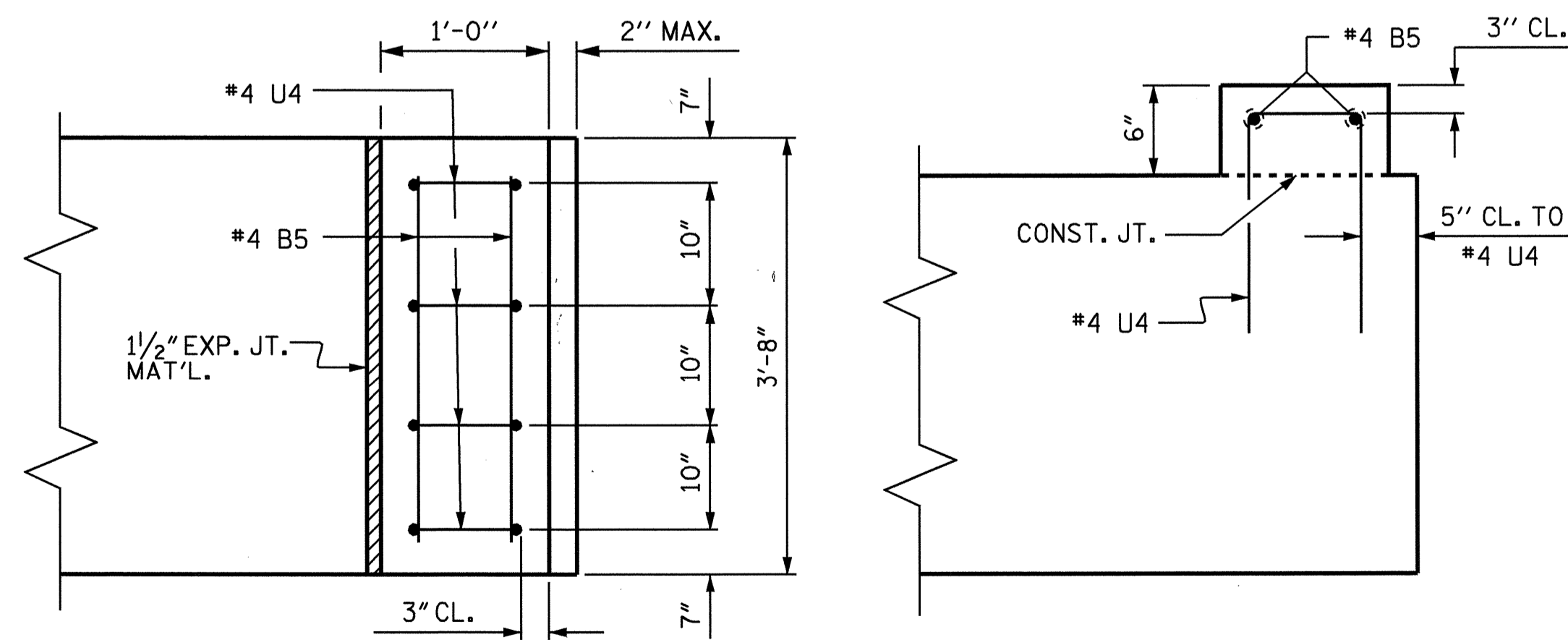
SECTION B-B



PILE SPLICE DETAILS



END VIEW

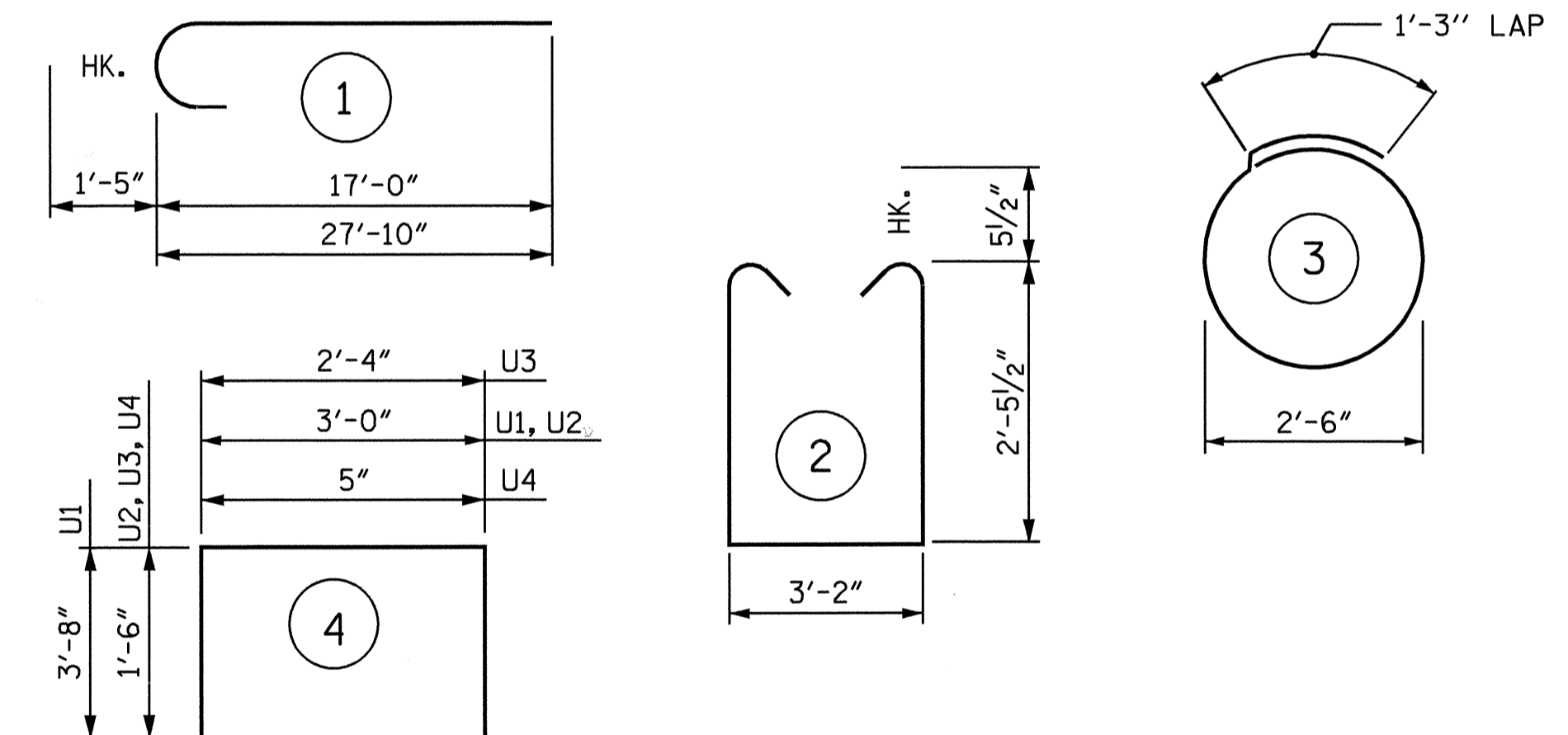


LATERAL GUIDE REINFORCING DETAIL  
(EACH END SIMILAR)

BILL OF MATERIALS

STAGE I						STAGE II					
BAR	NO.	SIZE	TYPE	LENGTH	WEIGHT	BAR	NO.	SIZE	TYPE	LENGTH	WEIGHT
*B1	4	#10	1	18'-5"	317	*B5	9	#4	STR	3'-2"	19
*B2	4	#10	STR	17'-0"	293	*B6	4	#10	1	29'-3"	503
*B3	2	#5	STR	17'-0"	35	*B7	4	#10	STR	28'-0"	482
*B4	4	#4	STR	17'-0"	45	*B8	2	#5	STR	28'-0"	58
*B5	6	#4	STR	3'-2"	13	*B9	4	#4	STR	28'-0"	75
						*B10	4	#10	STR	13'-10"	238
*D1	22	#6	STR	1'-6"	50						
						*D1	34	#6	STR	1'-6"	77
*S1	15	#5	2	9'-0"	141						
*S2	8	#4	3	9'-2"	49	*S1	24	#5	2	9'-0"	225
						*S2	12	#4	3	9'-2"	73
*U1	1	#9	4	10'-4"	35						
*U2	2	#4	4	6'-0"	8	*U1	1	#9	4	10'-4"	35
*U3	3	#4	4	5'-4"	11	*U2	2	#4	4	6'-0"	8
*U4	4	#4	4	3'-5"	9	*U3	3	#4	4	5'-4"	11
						*U4	4	#4	4	3'-5"	9
*EPOXY COATED REINFORCING STEEL LBS. 1006						*EPOXY COATED REINFORCING STEEL LBS. 1813					
CLASS AA CONCRETE BREAKDOWN						CLASS AA CONCRETE BREAKDOWN					
POUR #1 (CAP) CU.YD. 6.7						POUR #1 (CAP) CU.YD. 10.9					
POUR #2 (LATERAL GUIDE) CU.YD. 0.1						POUR #2 (LATERAL GUIDE) CU.YD. 0.1					
TOTAL CU.YD. 6.8						TOTAL CU.YD. 11.0					
20" SQUARE PRESTRESSED CONCRETE PILES NO. 4 LIN. FT. 48						20" SQUARE PRESTRESSED CONCRETE PILES NO. 6 LIN. FT. 72					
STEEL PILES TIPS NO. 4 EACH						STEEL PILES TIPS NO. 6 EACH					
W 10X77 STEEL PILES NO. 4 LIN. FT. 160						W 10X77 STEEL PILES NO. 6 LIN. FT. 240					
DYNAMIC LOAD TEST EACH 1											

BAR TYPES



ALL BAR DIMENSIONS ARE OUT TO OUT.

PROJECT NO. B-3626  
CARTERET COUNTY  
 STATION: 20+29.50 -L-

SHEET 2 OF 2

STATE OF NORTH CAROLINA  
 DEPARTMENT OF TRANSPORTATION  
 RALEIGH

SUBSTRUCTURE  
 BENT 1



REVISIONS						SHEET NO.	
NO.	BY:	DATE:	NO.	BY:	DATE:	S-16	
1			3			TOTAL SHEETS	
2			4			23	

13-JAN-2004 14:05 W:\Squid\B3626\JWalton\B3626.sc.B\*.01.dgn

DRAWN BY: J.L. WALTON DATE: 6/26/03  
 CHECKED BY: S.H. SOCKWELL DATE: 7/3/03