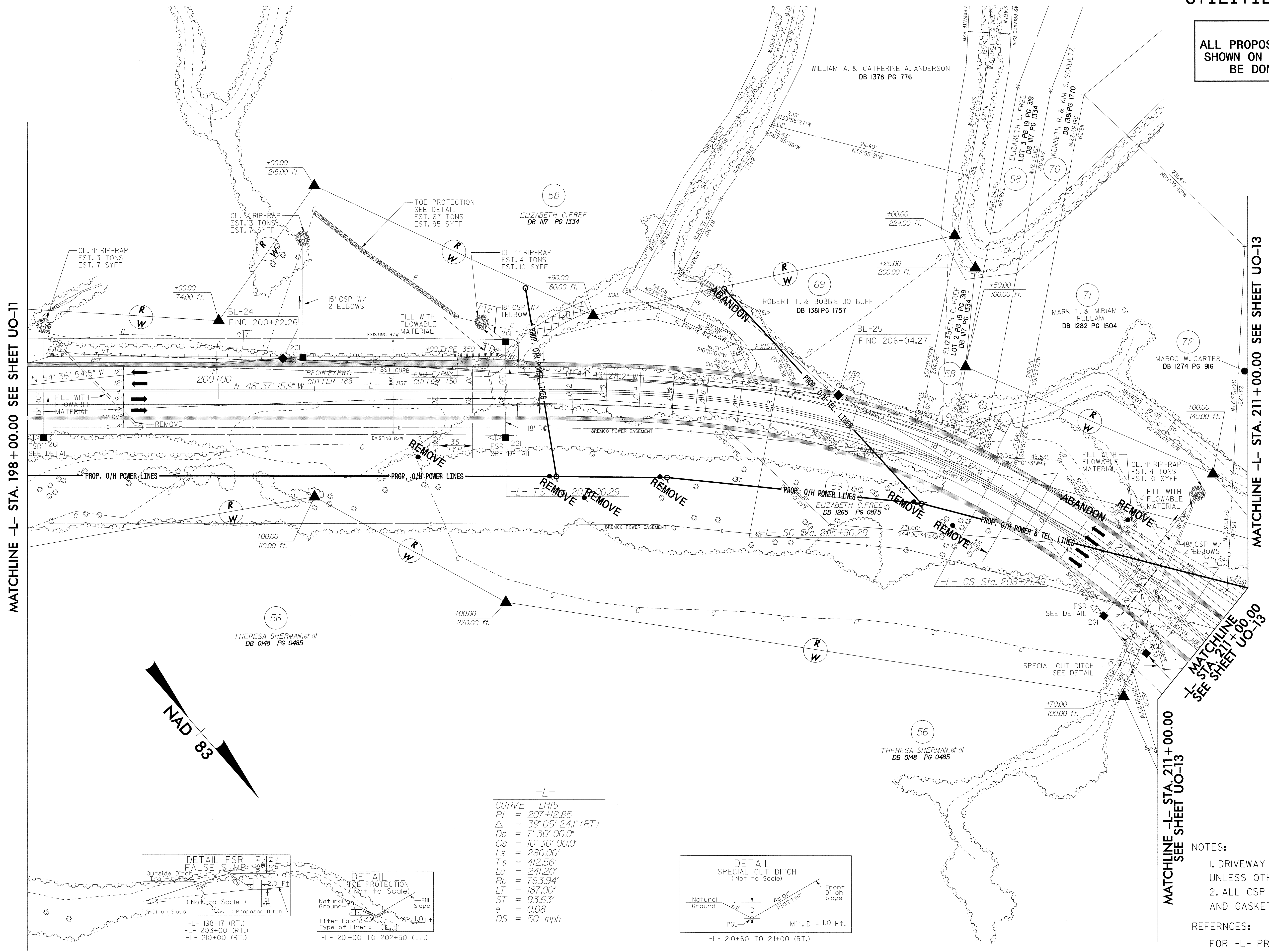


UTILITIES BY OTHERS

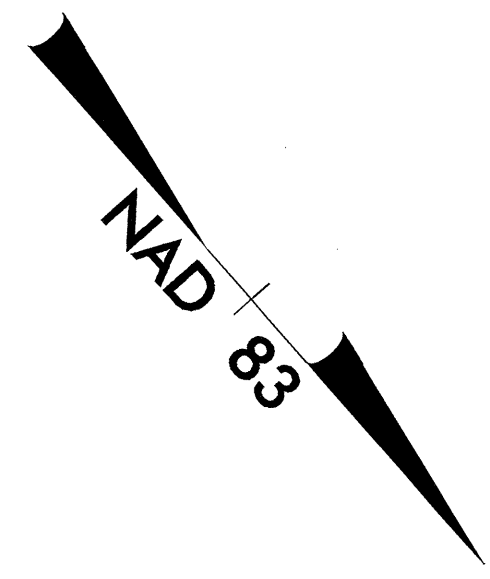
NOTE:
ALL PROPOSED UTILITY WORK
SHOWN ON THIS SHEET WILL
BE DONE BY OTHERS



MATCHLINE -L- STA. 198 + 00.00 SEE SHEET UO-11

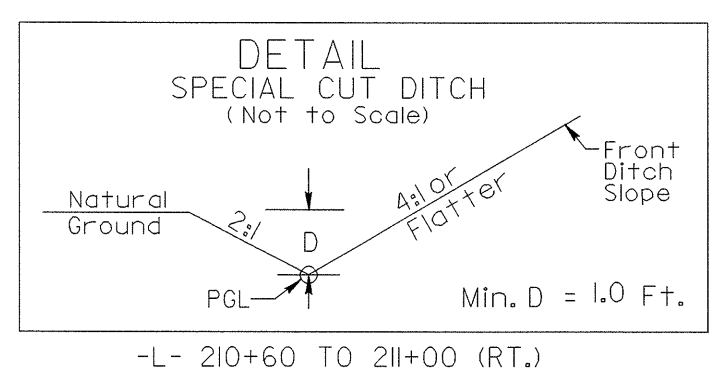
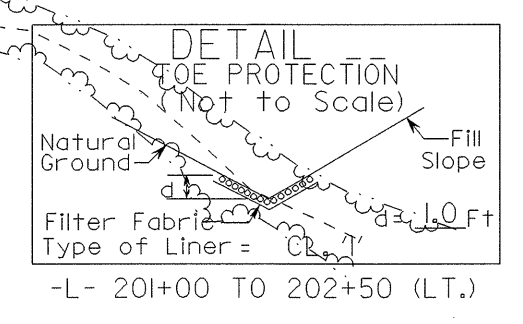
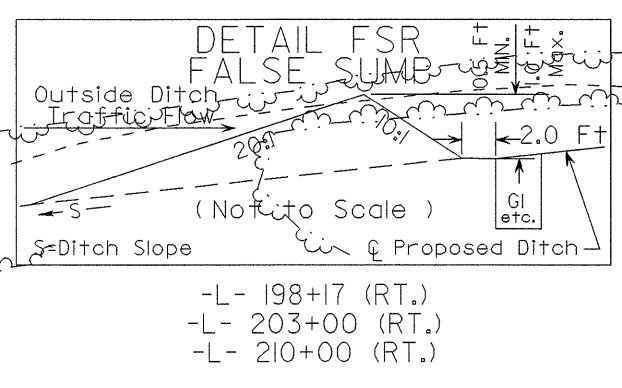
MATCHLINE -L- STA. 211 + 00.00 SEE SHEET UO-13

MATCHLINE -L- STA. 211 + 00.00
SEE SHEET UO-13



-L-

CURVE	LR15
PI	= 207+12.85
Δ	= 39° 05' 24" (RT)
Dc	= 7' 30' 00.0"
Es	= 10' 30' 00.0"
Ls	= 280.00'
Ts	= 412.56'
Lc	= 241.20'
Lt	= 187.00'
ST	= 93.63'
e	= 0.08
DS	= 50 mph



NOTES:
1. DRIVEWAY RETURN RADII ARE 10'
UNLESS OTHERWISE SHOWN
2. ALL CSP WILL BE ROD LUG
AND GASKET CONNECTOR

REFERENCES:
FOR -L- PROFILE SEE SHEET 47

8/17/99
02-SEP-2004 10:52
E:\Utilities\Files\2237b-ut_uo_12psh_19.dgn