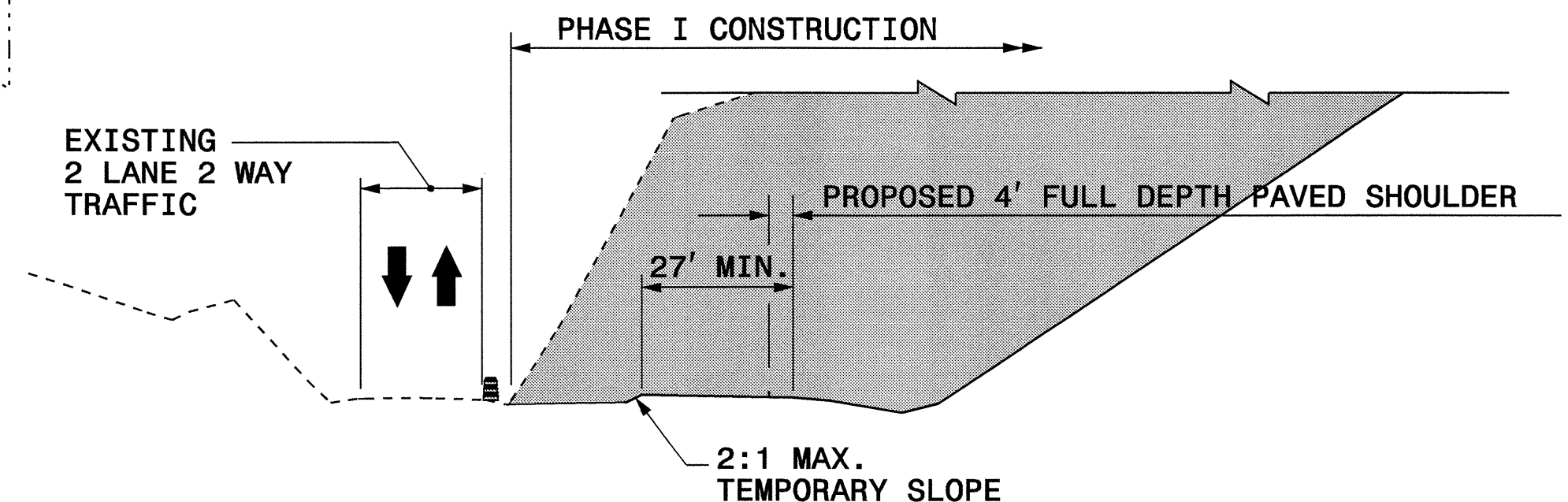
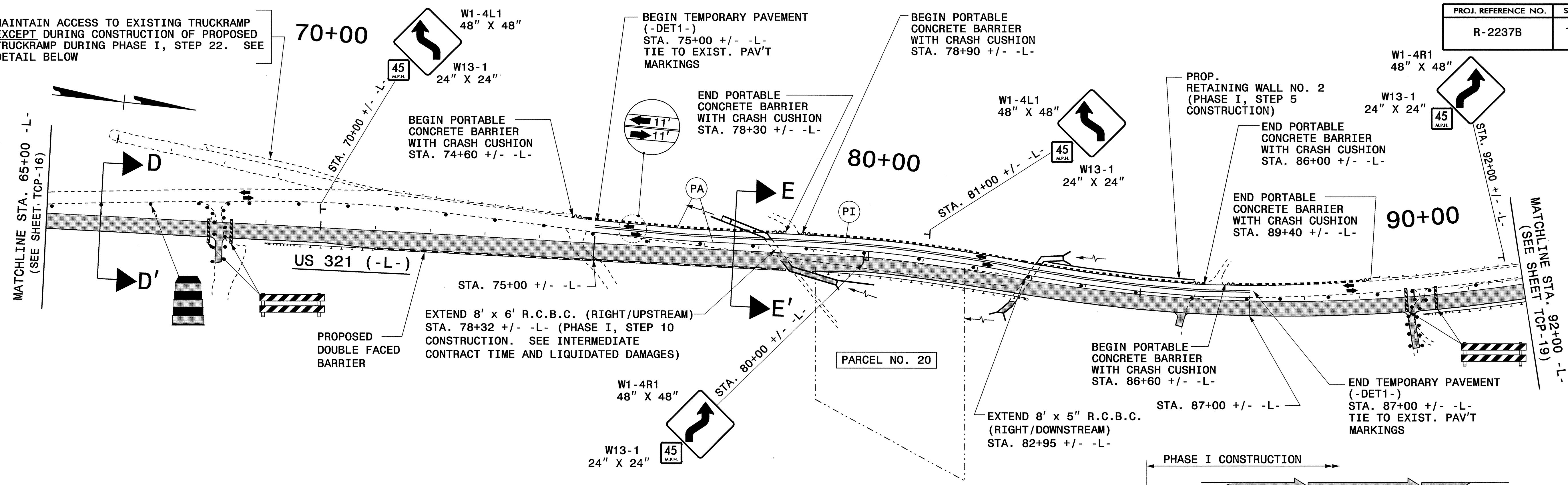
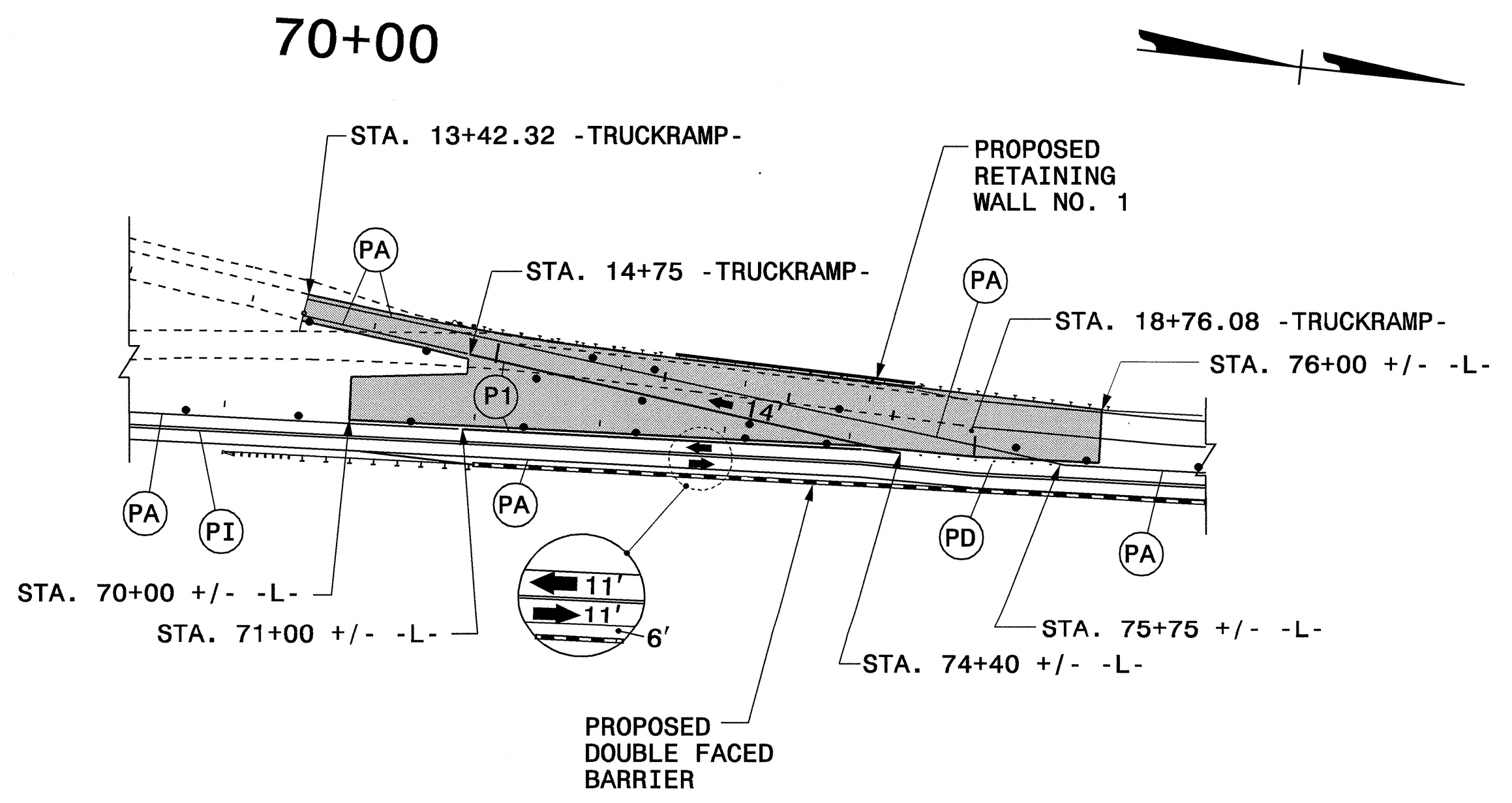


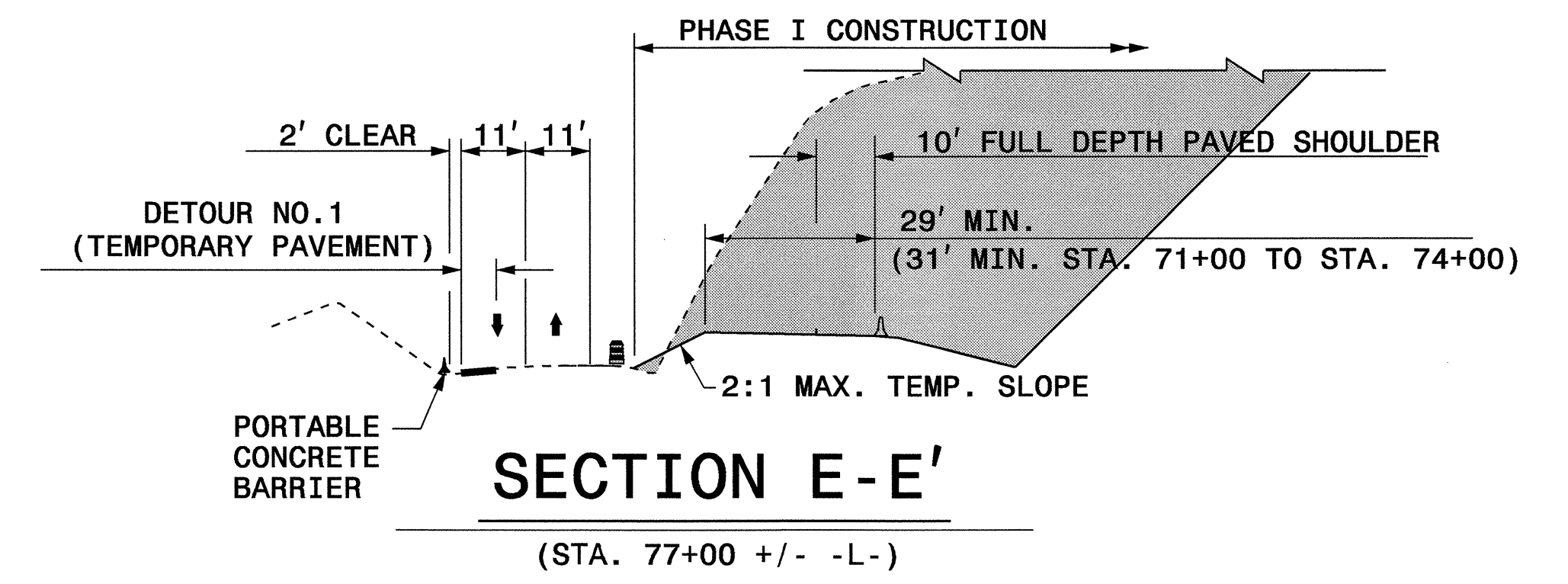
MAINTAIN ACCESS TO EXISTING TRUCKRAMP EXCEPT DURING CONSTRUCTION OF PROPOSED TRUCKRAMP DURING PHASE I, STEP 22. SEE DETAIL BELOW



SECTION D-D'
(STA. 66+00 +/- -L-)



PHASE I, STEP 22 DETAIL
(RUNAWAY TRUCKRAMP CONSTRUCTION)



SECTION E-E'
(STA. 77+00 +/- -L-)

APPROVED: *J.W. Woodard* DATE: 10/20/03
 SEAL
 NORTH CAROLINA PROFESSIONAL ENGINEER
 SEAL 19862
 J.W. WOODARD, P.E.
 DIVISION OF TRANSPORTATION
 STATE OF NORTH CAROLINA

PHASE I DETAILS
STA. 65+00 TO STA. 92+00

SCALE: NONE		<table border="1"> <tr><th colspan="2">REVISIONS</th></tr> <tr><td> </td><td> </td></tr> <tr><td> </td><td> </td></tr> <tr><td> </td><td> </td></tr> <tr><td> </td><td> </td></tr> </table>	REVISIONS									
REVISIONS												
DATE: 10/03												
DWG. BY: DAP												
DESIGN BY: DAP												
REVIEWED BY: JWW												

CADD FILE

19-OCT-2004 16:20
 K:\TCP\2237b\TCP_PHASE I_details.dgn
 dapor\ker AT TETC206426