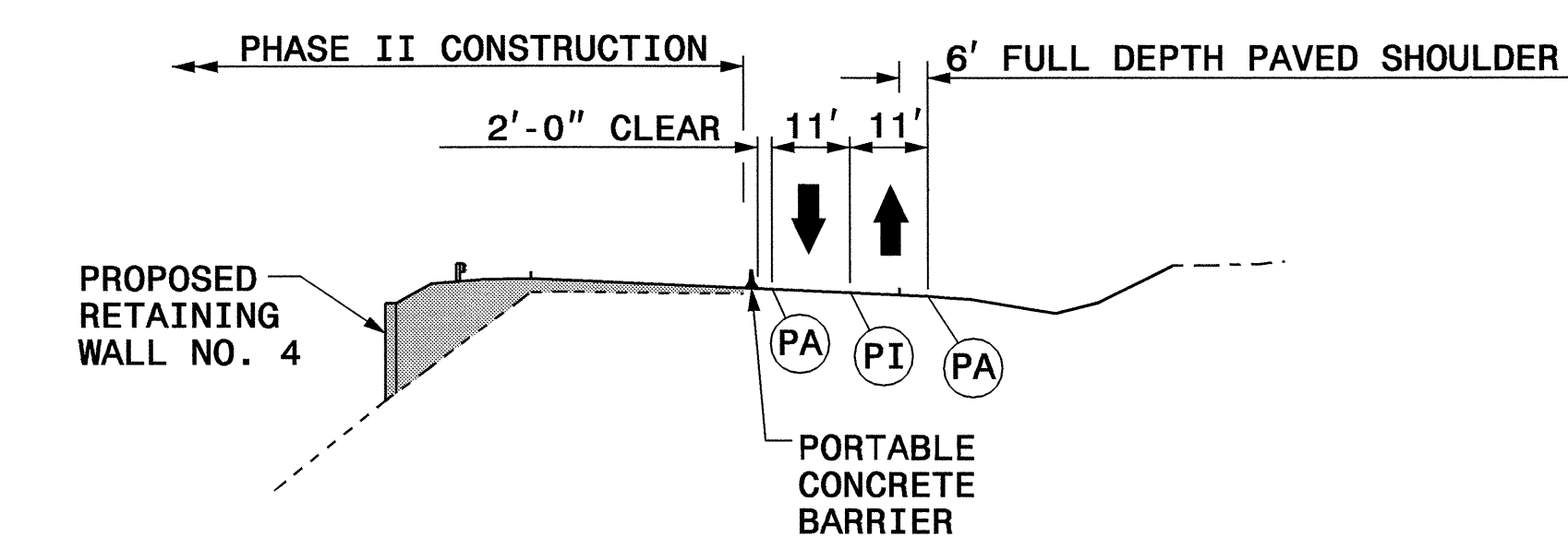


SECTION MM-MM'
(STA. 234+50 +/- -L-)



SECTION NN-NN'
(STA. 238+50 +/- -L-)

19-OCT-2004 16:20
 K:\TCP\2237b\TC_tcp_PHASE II_details.dgn
 Japorker AT TETC206426

APPROVED: <i>J. W. Woolard</i> DATE: 10/03/04		PHASE II DETAIL STA. 231+00 TO STA. 259+00	
	SCALE: NONE		REVISIONS
	DATE: 10/03		
	DWG. BY: DAP		
	DESIGN BY: DAP		
REVIEWED BY: JWW			CADD FILE