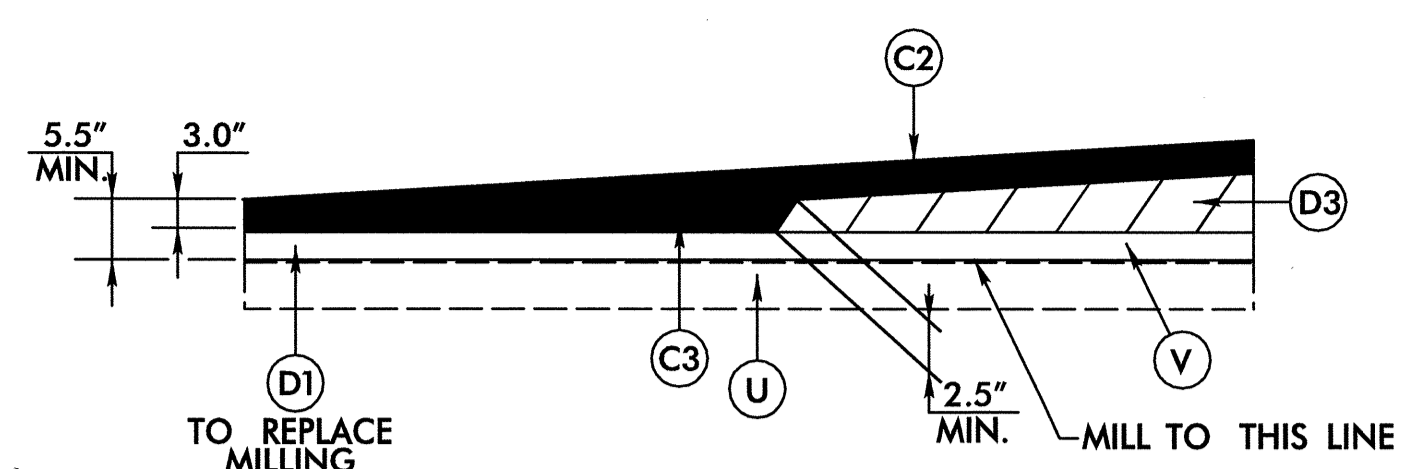


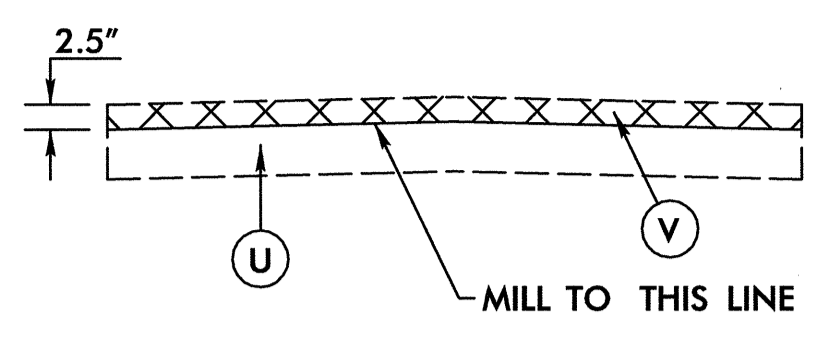
5/28/99

REVISIONS	

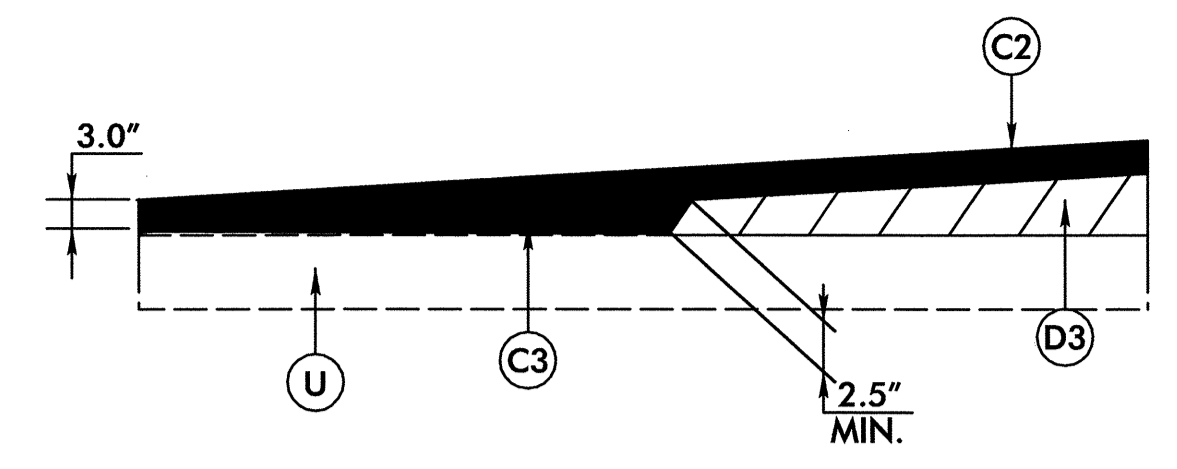
PROJECT REFERENCE NO. R-2237B	SHEET NO. 2-B
RAW SHEET NO.	
ROADWAY DESIGN ENGINEER GREGORY A. KEMPE SEAL 20677	PAVEMENT DESIGN ENGINEER CLARK S. MORRISON SEAL 22896
11-17-04	
HDR Engineering, Inc. of the Carolinas 3733 National Drive Raleigh, N.C. 27612	NC DEPARTMENT OF TRANSPORTATION PAVEMENT MANAGEMENT UNIT 1020 BIRCH RIDGE DRIVE RALEIGH, NORTH CAROLINA



Wedging Detail For Resurfacing
STANDARD WEDGING DETAIL 1

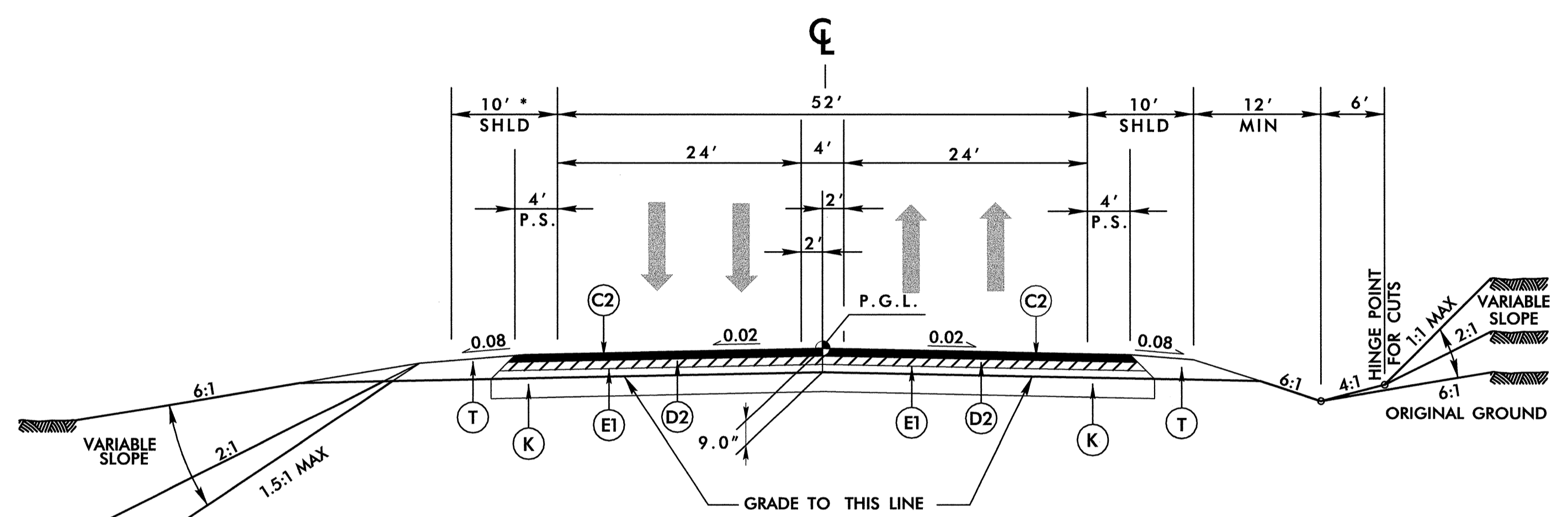


MILLING DETAIL



Wedging Detail For Resurfacing
STANDARD WEDGING DETAIL 2

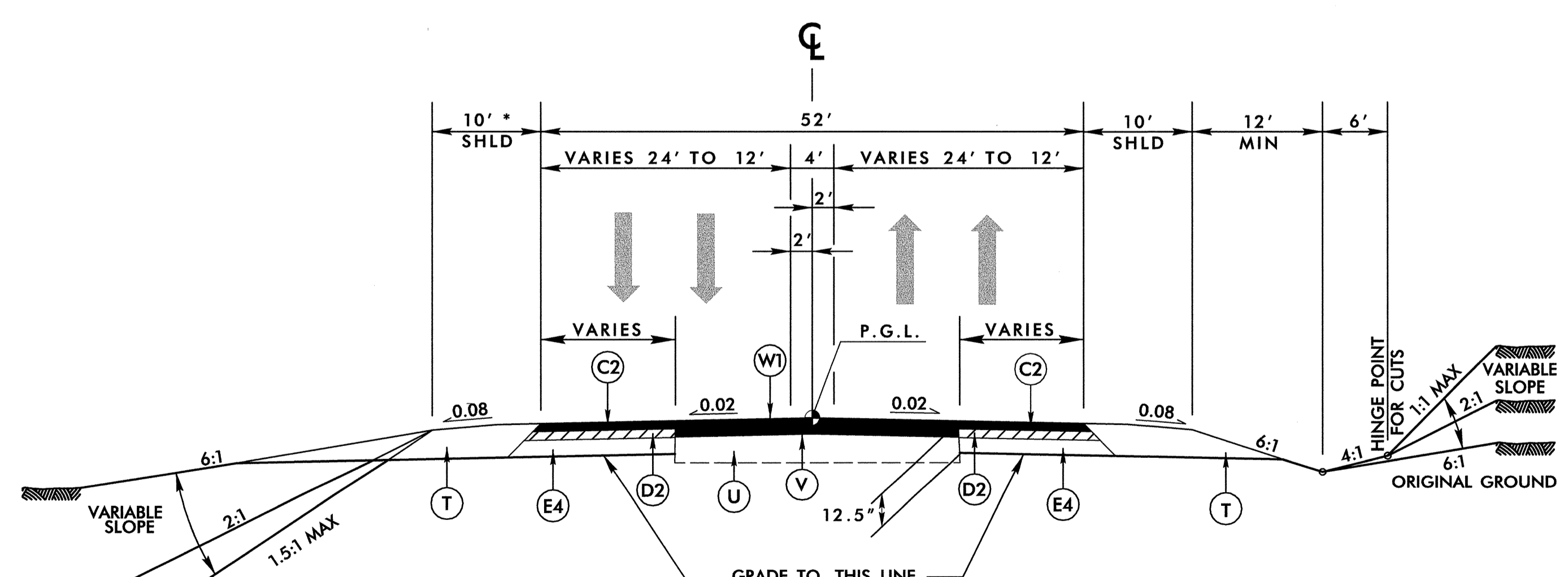
PAVEMENT SCHEDULE	
CODE	SEE SHEET 2 FOR DETAILED DESCRIPTIONS
C1	PROP. 1.5" SURFACE COURSE, TYPE S9.5B
C2	PROP. 3" SURFACE COURSE, TYPE S9.5B
C3	VARIABLE DEPTH SURFACE COURSE, TYPE S9.5B
D1	PROP. 2.5" INTERMEDIATE COURSE, TYPE I19.0B
D2	PROP. 3" INTERMEDIATE COURSE, TYPE I19.0B
D3	PROP. VAR. INTERMEDIATE COURSE, TYPE I19.0B
E1	PROP. 3" BASE COURSE, TYPE B25.0B
E2	PROP. 3.5" BASE COURSE, TYPE B25.0B
E3	PROP. 4" BASE COURSE, TYPE B25.0B
E4	PROP. 6.5" BASE COURSE, TYPE B25.0B
J1	6" ABC
J2	8" ABC
K	CEMENT / LIME STABILIZATION
R	PROP. EXPRESSWAY GUTTER
T	EARTH MATERIAL
U	EXISTING PAVEMENT
V	MILLING 2.5"
W1	WEDGING
W2	WEDGING



*ADD 3' WHEN USING GUARDRAIL

TYPICAL SECTION NO. 4

-LINE-	FROM STA.	TO STA.	NOTES
-L-	66 + 50.00	82 + 00.00	SEE DETAIL NO. 1, SHT. 2-E
-L-	145 + 00.00	158 + 00.00	
-L-	212 + 00.00	214 + 00.00	
-L-	219 + 00.00	222 + 00.00	
-L-	307 + 00.00	313 + 00.00	SEE DETAIL NO. 1, 2., & 3, SHT. 2-E
-L-	317 + 00.00	336 + 00.00	



*ADD 3' WHEN USING GUARDRAIL

TYPICAL SECTION NO. 5

-LINE-	FROM STA.	TO STA.
-L-	354 + 00.00	356 + 50.00

NOTES: P.G.L. = PROFILE GRADE LINE
PAVEMENT STRUCTURE SLOPES ARE 1:1
UNLESS SHOWN OTHERWISE.

11/17/2004 03:14:24 PM