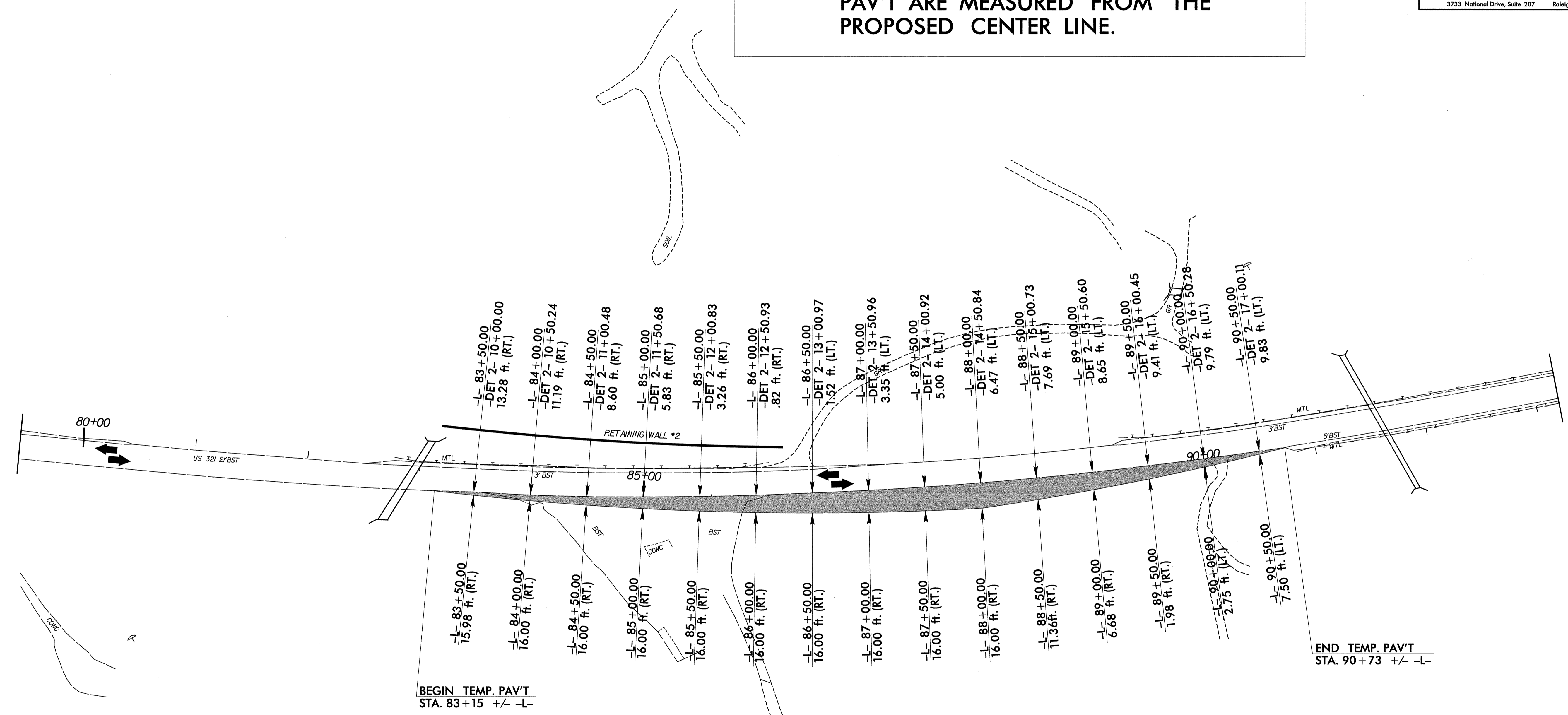


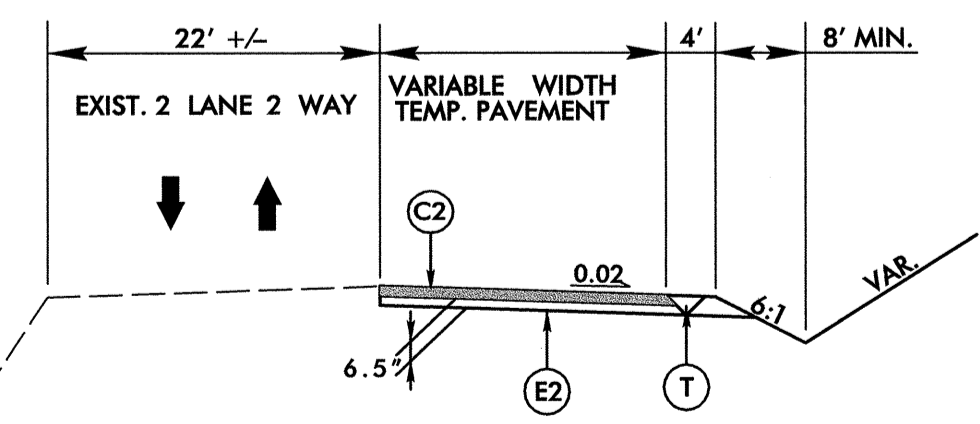
DETOUR 2

NOTE: DIMENSIONS TO THE EDGE OF TEMP. PAV'T ARE MEASURED FROM THE PROPOSED CENTER LINE.



BEGIN TEMP. PAV'T
STA. 83+15 +/- -L-

END TEMP. PAV'T
STA. 90+73 +/- -L-



TYPICAL SECTION
SEE SHEET 2 FOR PAVEMENT SCHEDULE

REFERENCES:
FOR -DETOUR2- PROFILE SEE SHEET 66

REVISIONS

8/17/99

11/2/2004
2:56:05 PM
EN:6227EN