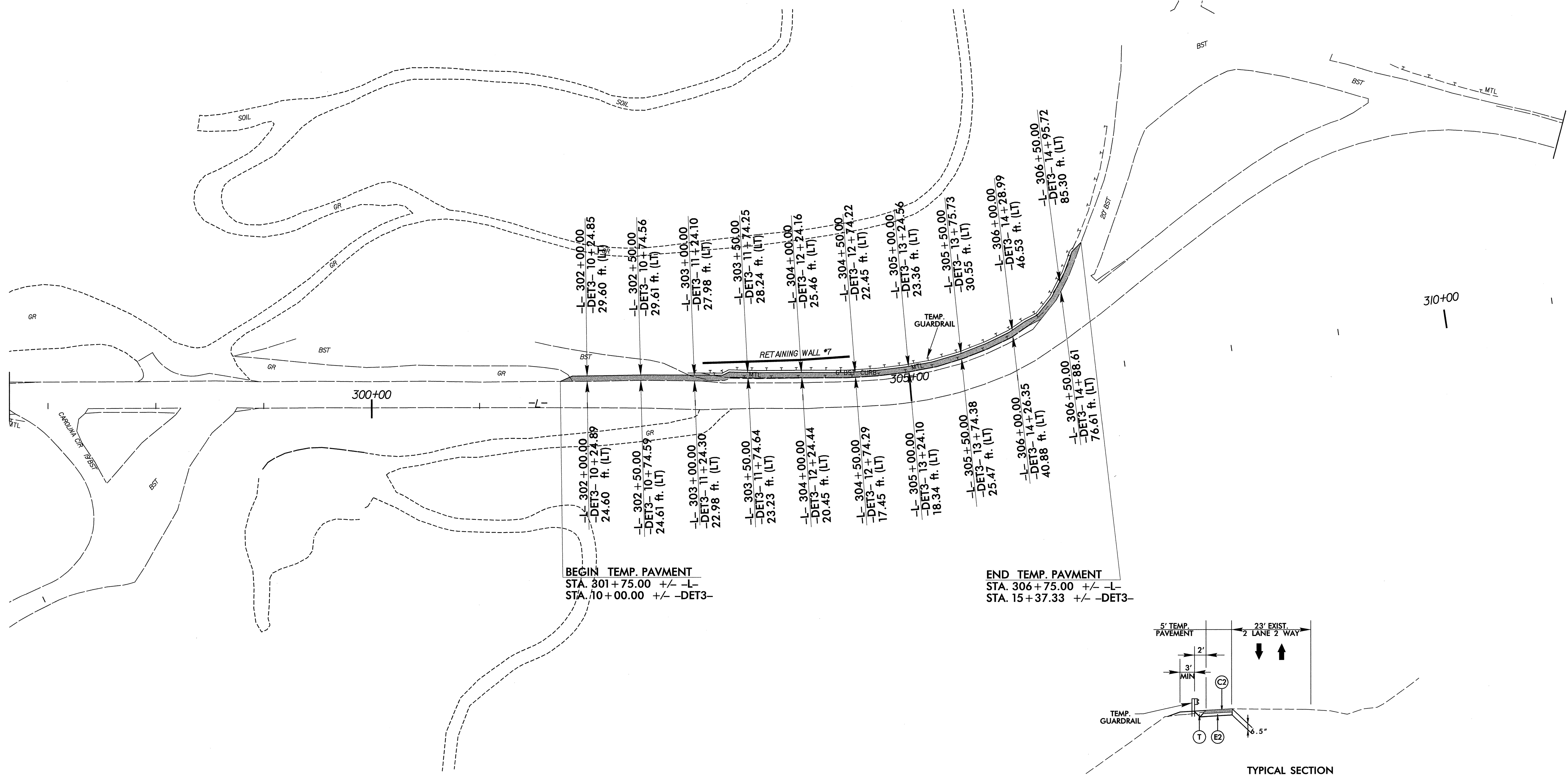


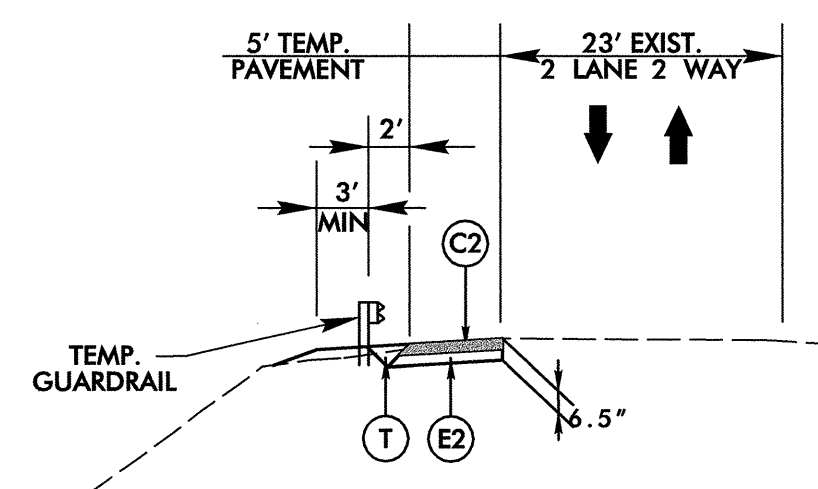
DETOUR 3

NOTE: DIMENSIONS TO THE EDGE OF TEMP. PAV'T ARE MEASURED FROM THE PROPOSED CENTER LINE.



BEGIN TEMP. PAVEMENT
 STA. 301+75.00 +/- -L-
 STA. 10+00.00 +/- -DET3-

END TEMP. PAVEMENT
 STA. 306+75.00 +/- -L-
 STA. 15+37.33 +/- -DET3-



TYPICAL SECTION
 SEE SHEET 2
 FOR PAVEMENT DESIGN

REFERENCES:
 FOR -DETOUR3- PROFILE SEE SHEET 67

REVISIONS

11/2/2004
 2:57:58 PM
 R:\2237B\Drawings\Detour3\Sheet 2.dwg