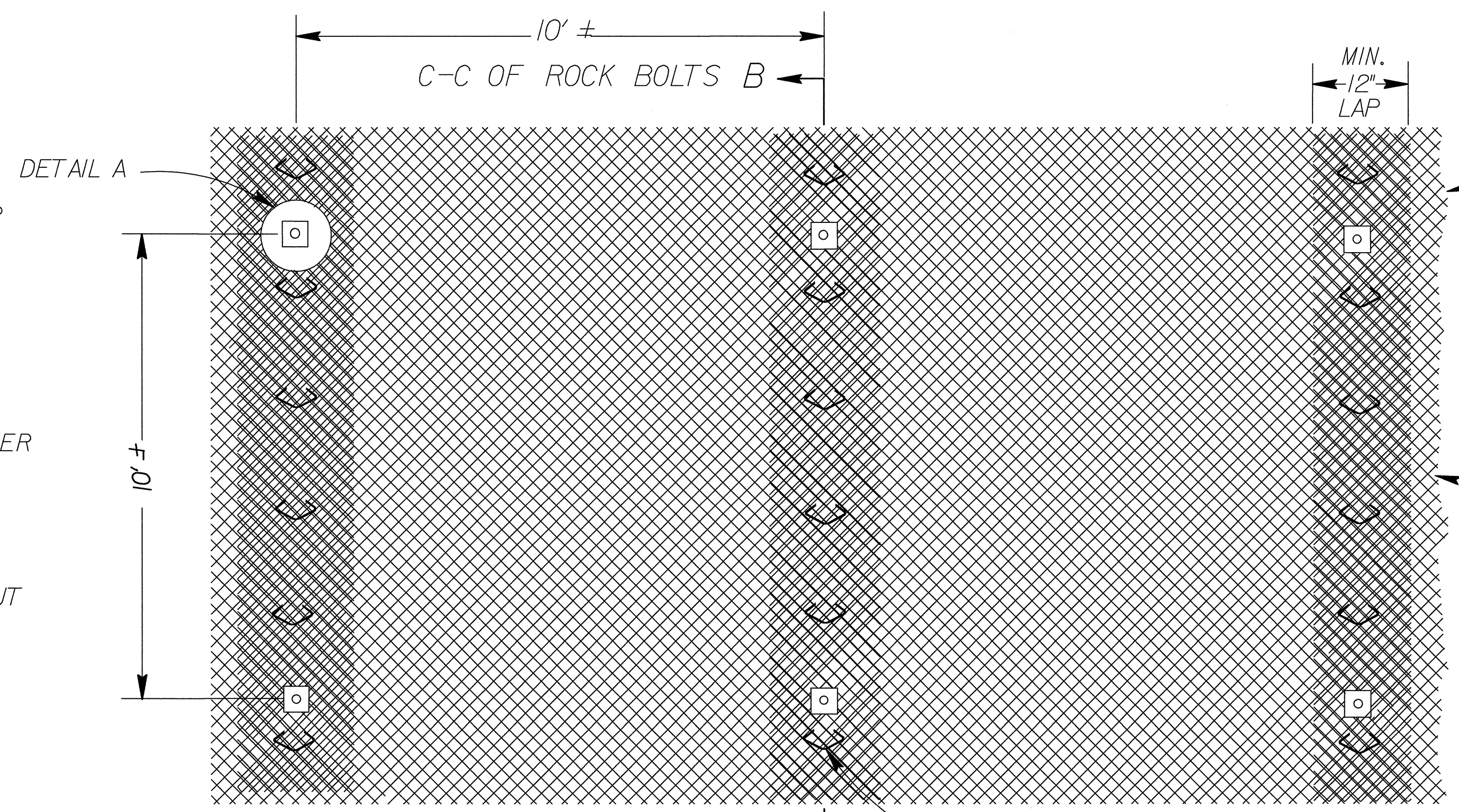
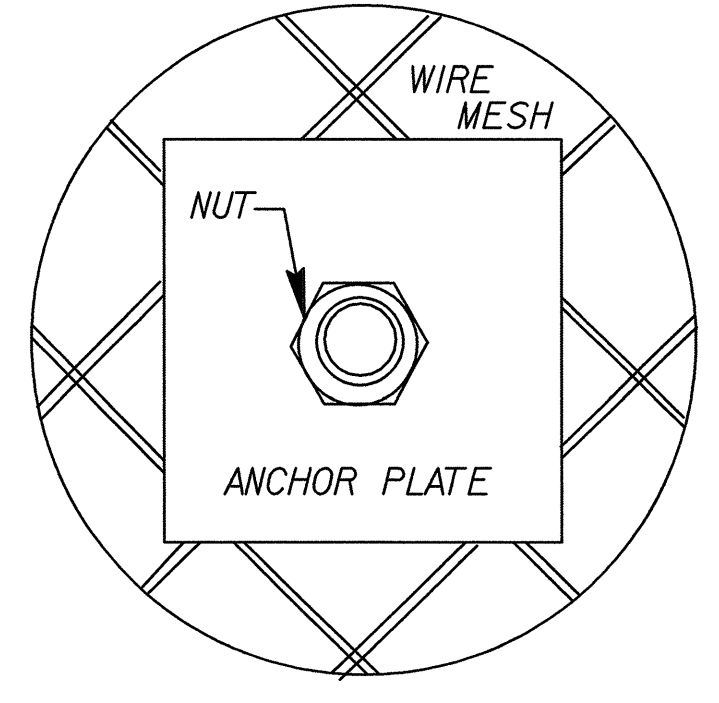


SECTION B-B
N.T.S.



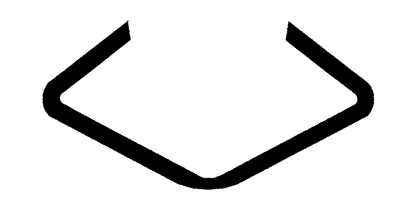
DETAIL OF WIRE MESH
N.T.S.

GALVANIZED HEXAGONAL TRIPLE TWISTED STEEL WIRE MESH
MAXIMUM 3 1/4" X 4 1/2" MESH OPENING
MINIMUM DIA. 0.12 INCHES WIRE



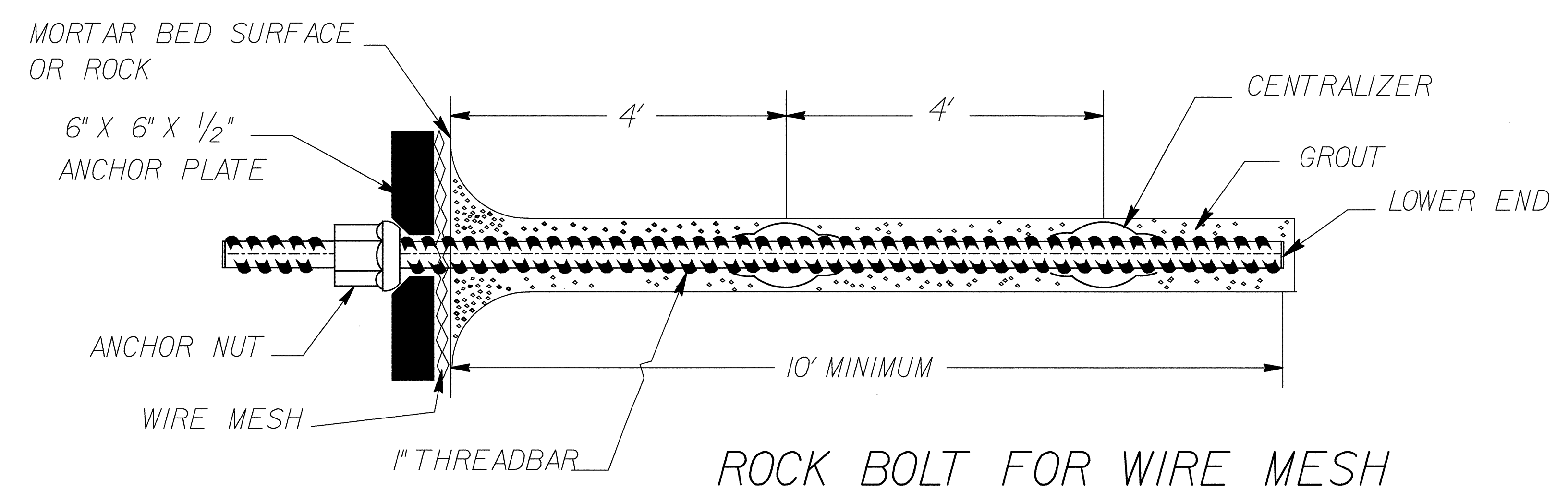
DETAIL A
ROCK BOLT ASSEMBLY

STEEL WIRE HOG RING



NOTES:

1) WIRE MESH SHALL BE INSTALLED ON ROCK SLOPES AT LOCATIONS AS DIRECTED BY THE ENGINEER.



ROCK BOLT FOR WIRE MESH
N.T.S.

	<u>QUANTITY</u>
WIRE MESH	10000 ± SY.
ROCK BOLT FOR WIRE MESH	9000 ± LF.

REVISIONS

8/17/99

10/27/2004
3:22:46 PM
C:\52578\...