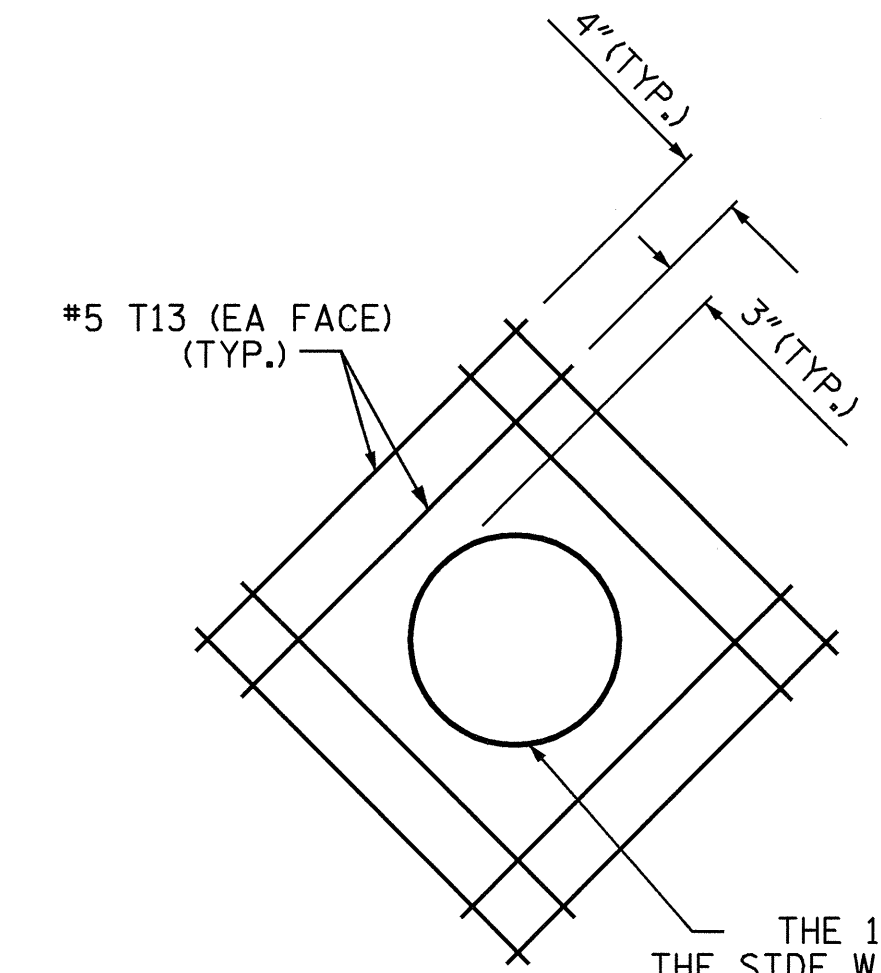
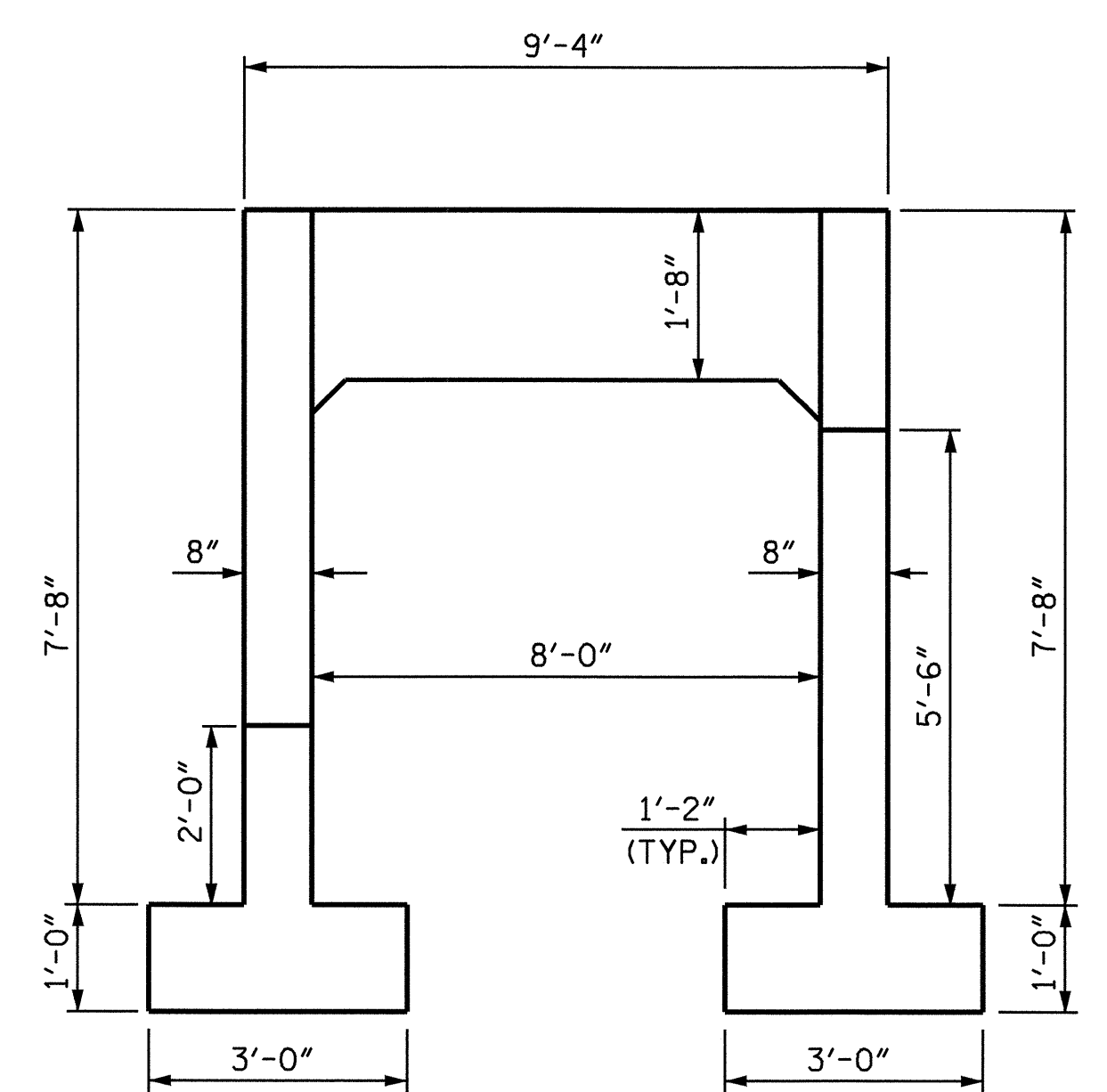


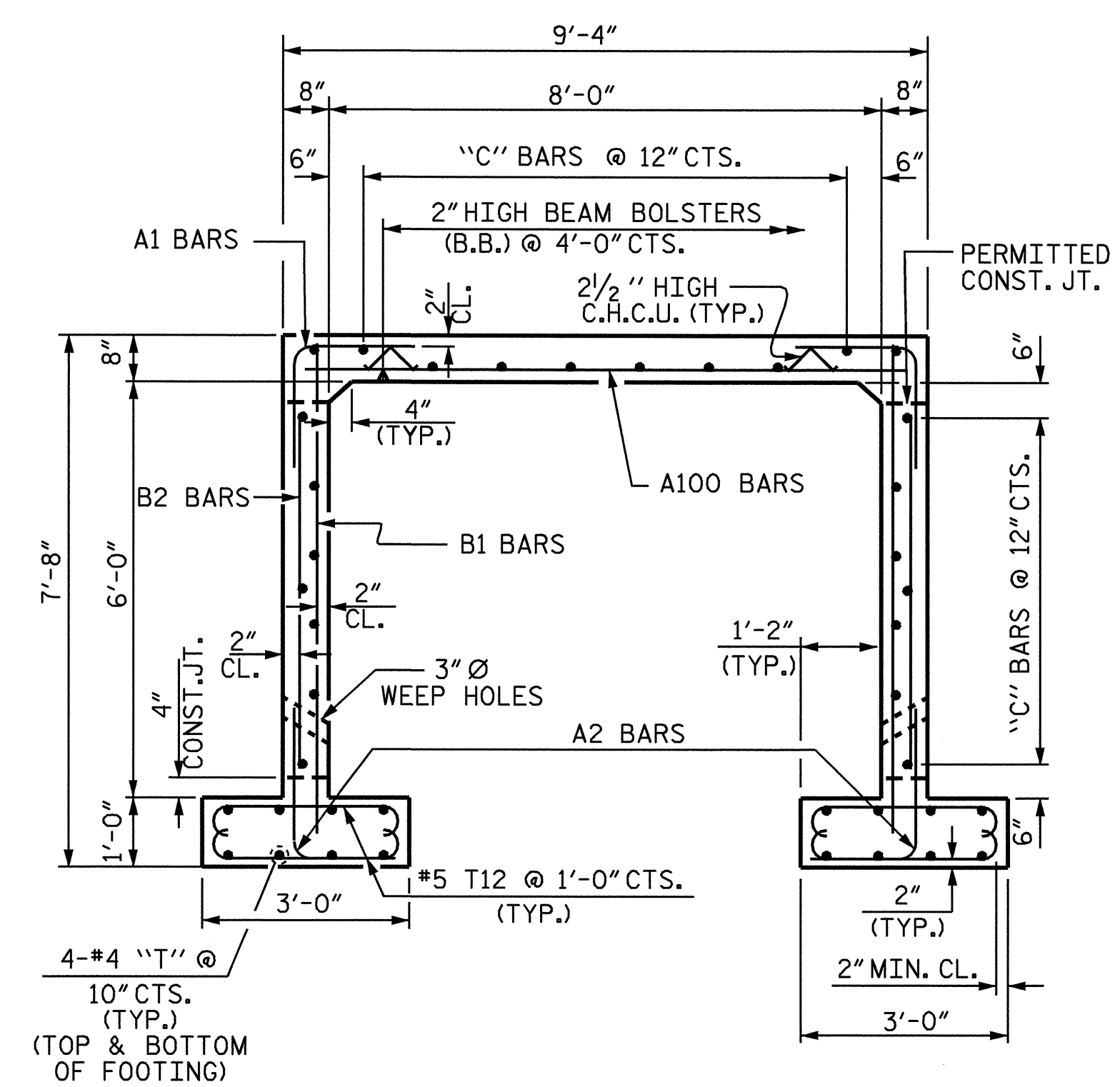
**CULVERT SECTION ALONG C-CULVERT**



**DETAIL OF PIPE THRU EXTERIOR WALL**



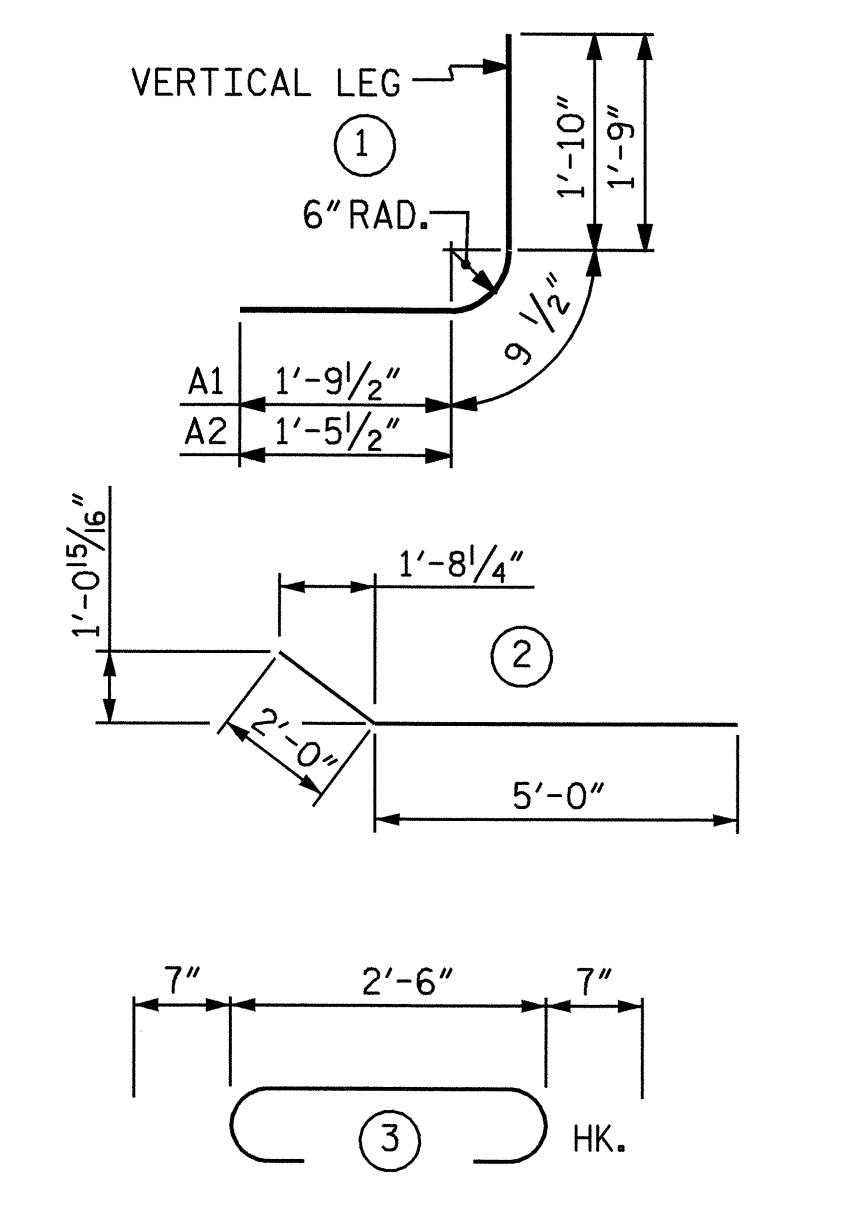
**END ELEVATION NORMAL TO SKEW**



**RIGHT ANGLE SECTION OF BARREL**

THERE ARE 24 "C" BARS IN SECTION OF BARREL

BILL OF MATERIAL					
LEFT EXTENSION-BARREL					
BAR	NO.	SIZE	TYPE	LENGTH	WEIGHT
A1	259	#5	1	4'-5"	1193
A2	204	#5	1	4'-0"	851
A100	97	#5	STR	9'-0"	911
A101	2	#5	STR	8'-0"	17
A102	2	#5	STR	6'-6"	14
A103	2	#5	STR	5'-1"	11
A104	2	#5	STR	3'-8"	8
A105	2	#5	STR	2'-2"	5
B1	142	#4	STR	7'-2"	680
B2	142	#5	STR	5'-4"	790
C1	72	#4	STR	20'-4"	978
C2	24	#4	2	7'-0"	112
C3	8	#4	STR	16'-10"	90
C4	1	#4	STR	15'-7"	10
C5	1	#4	STR	14'-4"	10
C6	1	#4	STR	13'-0"	9
C7	1	#4	STR	11'-9"	8
C8	1	#4	STR	10'-6"	7
C9	1	#4	STR	9'-3"	6
C10	1	#4	STR	8'-0"	5
C11	1	#4	STR	6'-9"	5
C12	8	#4	STR	5'-5"	29
D1	15	#6	STR	2'-6"	56
G1	2	#4	STR	9'-0"	12
S2	3	#8	STR	12'-8"	101
T1	32	#4	STR	25'-3"	540
T2	16	#4	2	7'-0"	75
T3	2	#4	STR	7'-3"	10
T4	2	#4	STR	6'-2"	8
T5	2	#4	STR	5'-2"	7
T6	2	#4	STR	4'-1"	5
T7	24	#4	STR	27'-2"	436
T8	2	#4	STR	18'-2"	24
T9	2	#4	STR	17'-2"	23
T10	2	#4	STR	16'-1"	21
T11	2	#4	STR	15'-1"	20
T12	410	#5	3	3'-8"	1568
T13	16	#5	STR	3'-2"	53
REINFORCING STEEL				=	8708 LBS.



**BAR TYPE**  
 DIMENSIONS ARE OUT TO OUT

SPLICE LENGTH CHART		
BAR	SIZE	SPLICE LENGTH
B1	#4	1'-9"
"C"	#4	1'-11"
"T"	#4	1'-11"

**LEFT EXTENSION QUANTITIES**

CLASS A CONCRETE		
WALLS	19.8	C.Y.
TOP SLAB	16.9	C.Y.
FOOTINGS	24.0	C.Y.
HEADWALL & EDGEBEAM	0.9	C.Y.
WINGS	12.1	C.Y.
<b>TOTAL</b>	<b>73.7</b>	<b>C.Y.</b>

**REINFORCING STEEL**

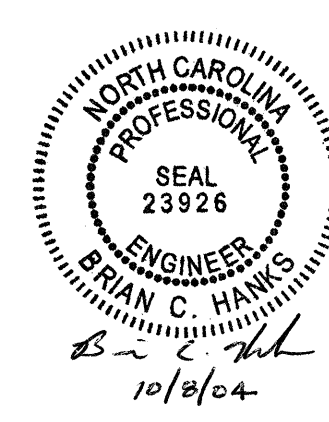
BARREL	8708	LBS.
WINGS, ETC.	885	LBS.
<b>TOTAL</b>	<b>9593</b>	<b>LBS.</b>

PROJECT NO. R-2237B  
CALDWELL COUNTY  
 STATION: 78+31.75 -L-

SHEET 2 OF 10

STATE OF NORTH CAROLINA  
 DEPARTMENT OF TRANSPORTATION  
 RALEIGH

**SINGLE 8 FT. X 6 FT. CONCRETE BOX CULVERT LEFT EXTENSION**



REVISIONS						SHEET NO.
NO.	BY:	DATE:	NO.	BY:	DATE:	C-2
1			3			TOTAL SHEETS
2			4			19

ASSEMBLED BY: J.L. WALTON DATE: 5/26/04  
 CHECKED BY: K.K. PUROHIT DATE: 7/30/04