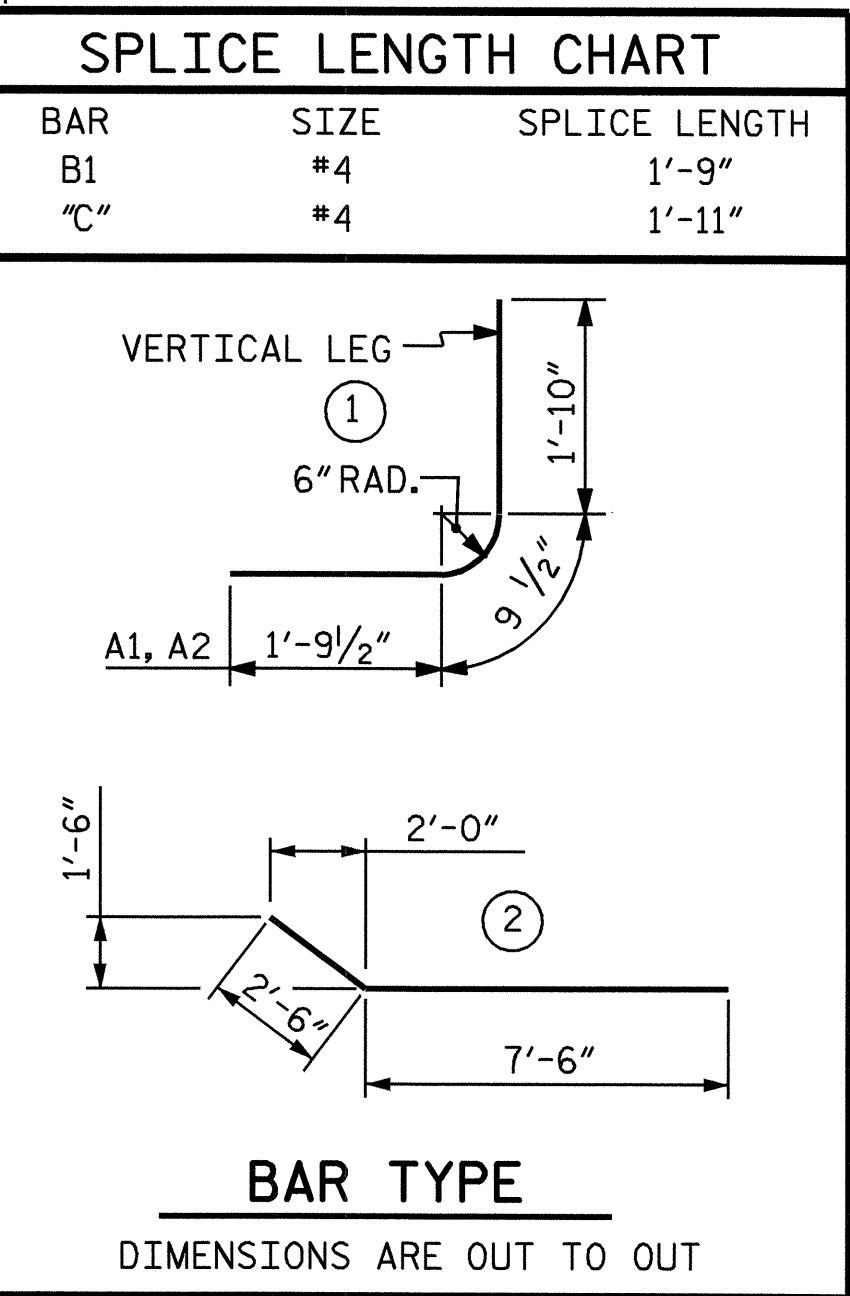
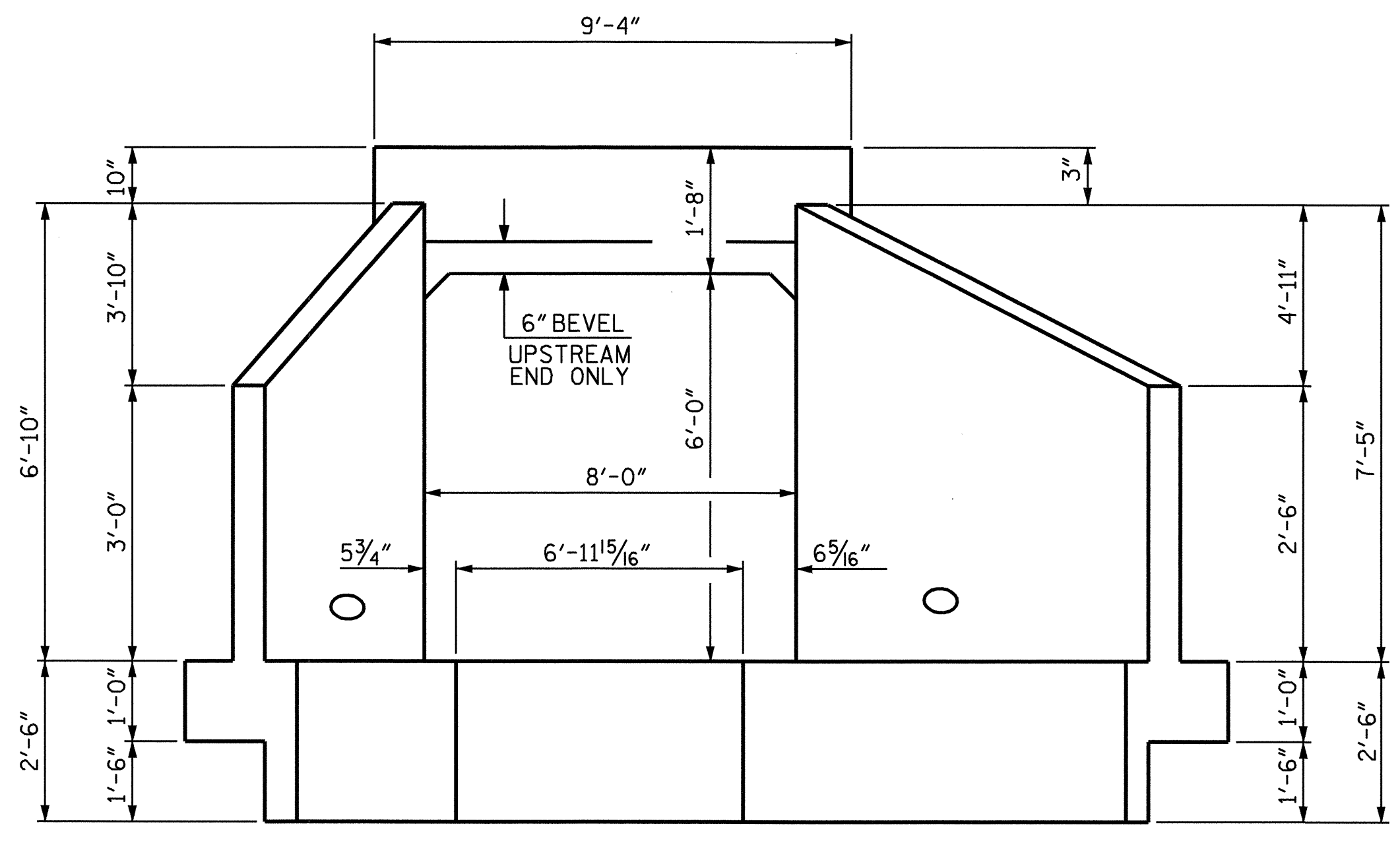


CULVERT SECTION ALONG C CULVERT

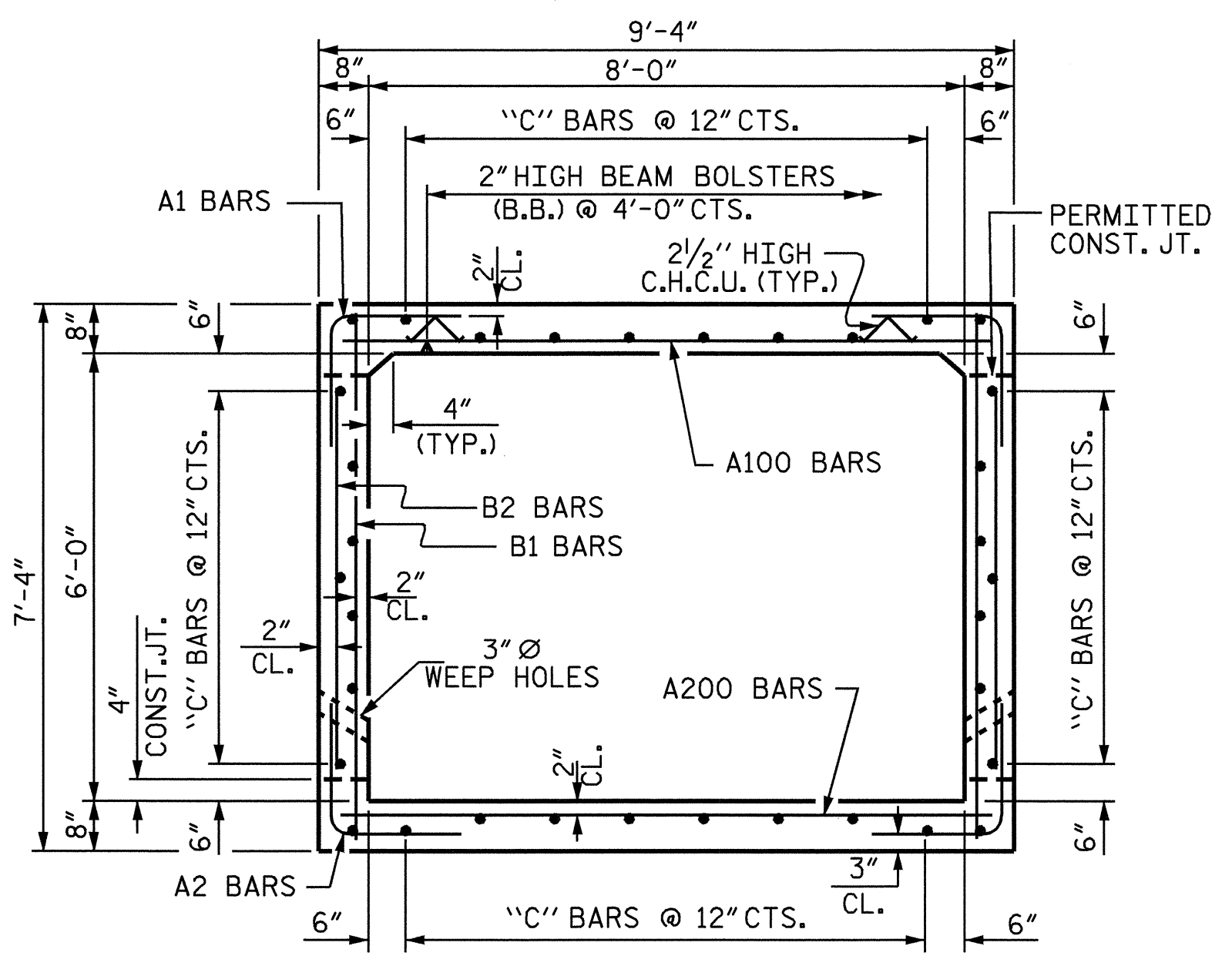
BILL OF MATERIAL						
RIGHT EXTENSION-BARREL						
BAR	NO.	SIZE	TYPE	LENGTH	WEIGHT	
A1	298	#5	1	4'-5"	1373	
A2	298	#5	1	4'-5"	1373	
A100	179	#5	STR	9'-0"	1680	
A101	2	#5	STR	7'-11"	17	
A102	2	#5	STR	6'-7"	14	
A103	2	#5	STR	5'-3"	11	
A104	2	#5	STR	3'-10"	8	
A105	2	#5	STR	2'-6"	5	
A200	191	#5	STR	9'-0"	1793	
A201	2	#5	STR	7'-8"	16	
A202	2	#5	STR	6'-5"	13	
A203	2	#5	STR	5'-2"	11	
A204	2	#5	STR	3'-11"	8	
A205	2	#5	STR	2'-8"	6	
B1	212	#4	STR	6'-10"	968	
B2	298	#4	STR	5'-4"	1062	
C1	102	#4	STR	30'-0"	2044	
C2	34	#4	2	10'-0"	227	
C3	9	#4	STR	20'-6"	123	
C4	2	#4	STR	19'-5"	26	
C5	2	#4	STR	18'-3"	24	
C6	2	#4	STR	17'-1"	23	
C7	2	#4	STR	15'-11"	21	
C8	2	#4	STR	14'-8"	20	
C9	2	#4	STR	13'-6"	18	
C10	2	#4	STR	12'-4"	16	
C11	2	#4	STR	11'-1"	15	
C12	9	#4	STR	9'-11"	60	
D1	15	#6	STR	2'-6"	56	
D2	15	#6	STR	1'-3"	28	
G1	2	#4	STR	9'-0"	12	
S2	6	#8	STR	11'-10"	190	
REINFORCING STEEL				=	11261	LBS.



RIGHT EXTENSION QUANTITIES		
CLASS A CONCRETE		
BARREL	80.2	C.Y.
WINGS, ETC.	25.9	C.Y.
BAFFLES	1.5	C.Y.
TOTAL	107.6	C.Y.
REINFORCING STEEL		
BARREL	11261	LBS.
WINGS, ETC.	1443	LBS.
TOTAL	12704	LBS.
FOUNDATION COND. MAT'L	70	TONS



END ELEVATION NORMAL TO SKEW



RIGHT ANGLE SECTION OF BARREL
 THERE ARE 34 "C" BARS IN SECTION OF BARREL

PROJECT NO. R-2237B
CALDWELL COUNTY
 STATION: 78+31.75 -L-
 SHEET 6 OF 10

STATE OF NORTH CAROLINA
 DEPARTMENT OF TRANSPORTATION
 RALEIGH
**SINGLE 8 FT. X 6 FT.
 CONCRETE BOX CULVERT
 RIGHT EXTENSION**



ASSEMBLED BY: J.L. WALTON DATE: 5/26/04
 CHECKED BY: K.K. PUROHIT DATE: 7/30/04

REVISIONS						SHEET NO.
NO.	BY:	DATE:	NO.	BY:	DATE:	C-6
1			3			TOTAL SHEETS
2			4			19