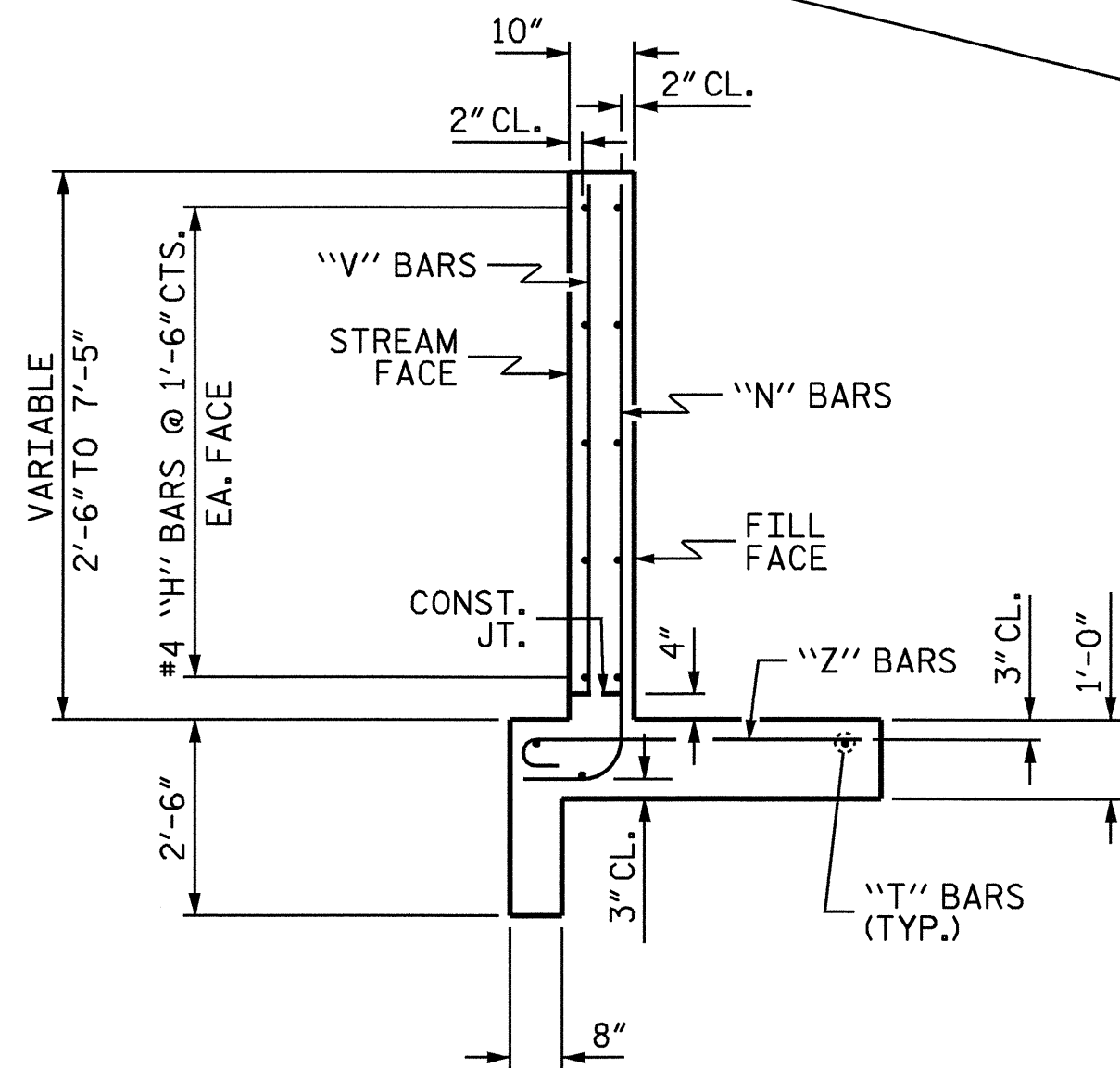
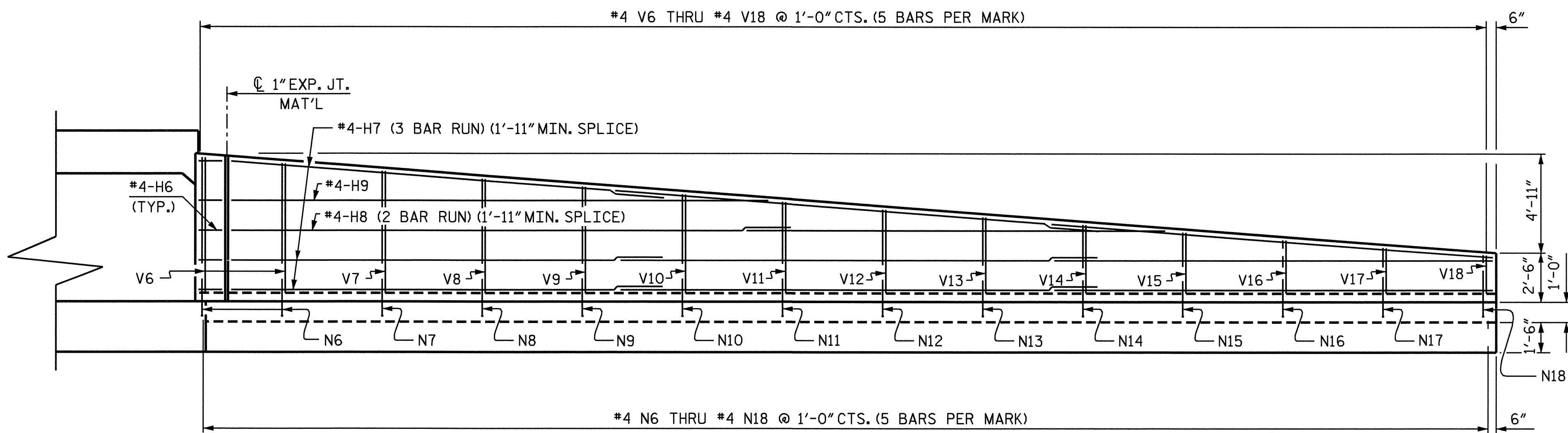


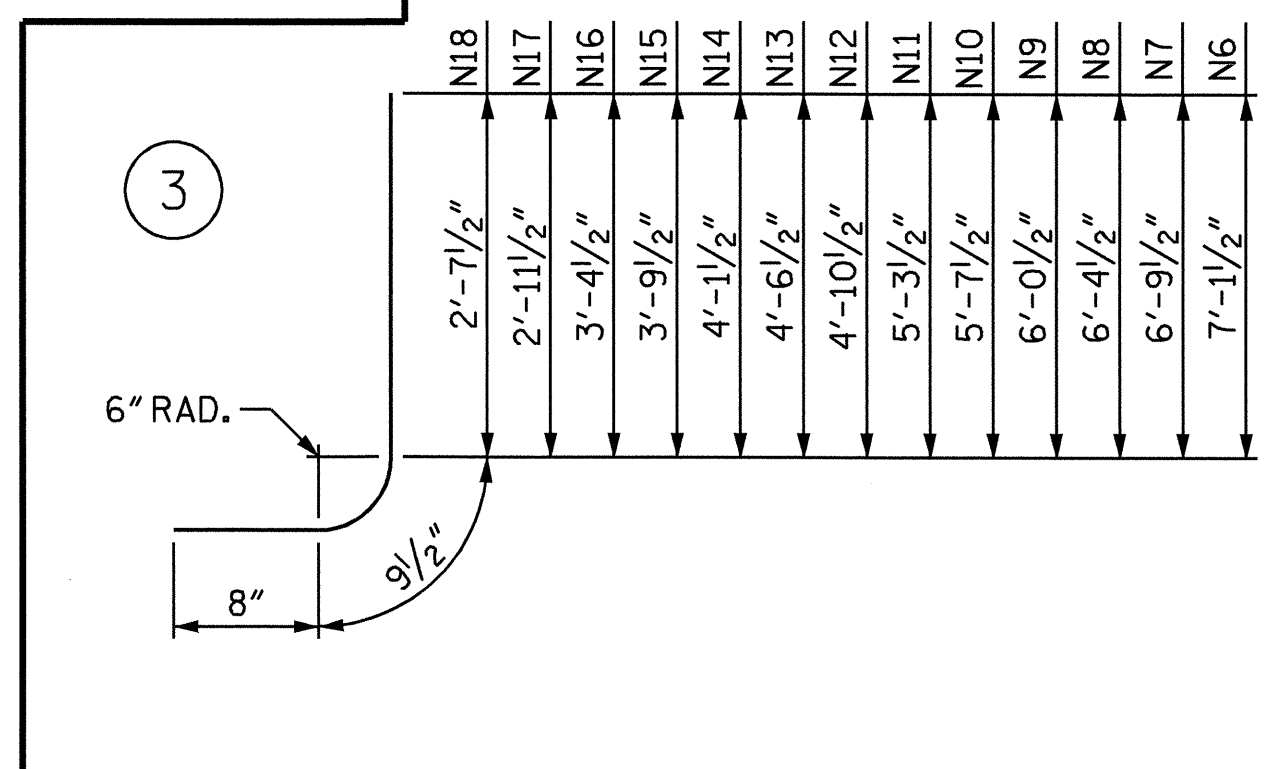
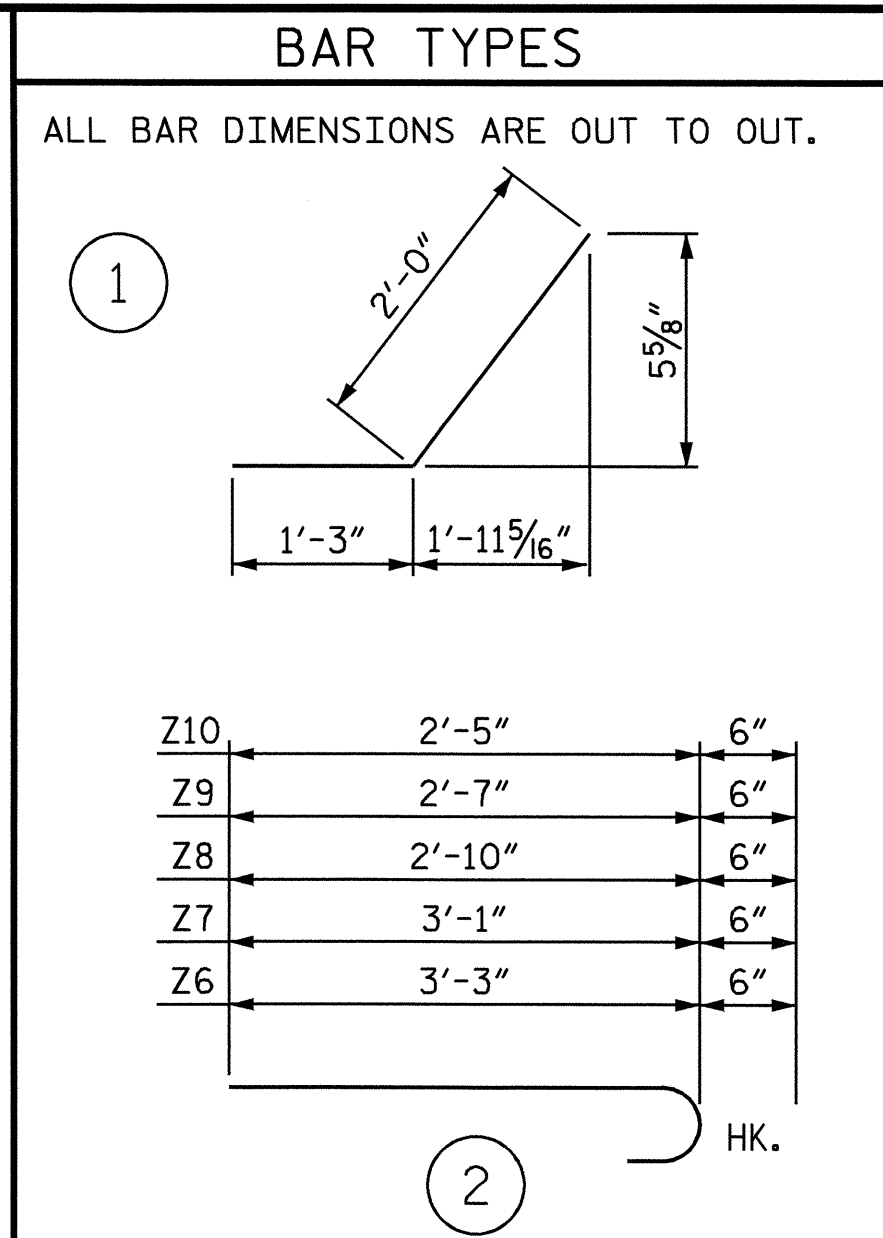
PLAN W2



WING SECTION W2



ELEVATION W2



BAR TYPES

ALL BAR DIMENSIONS ARE OUT TO OUT.

BILL OF MATERIAL

RIGHT EXTENSION WING (W2)					
BAR	NO.	SIZE	TYPE	LENGTH	WEIGHT
H6	10	#4	1	3'-3"	22
H7	18	#4	STR	22'-4"	269
H8	4	#4	STR	24'-4"	65
H9	2	#4	STR	26'-10"	36
N6	5	#4	3	8'-7"	29
N7	5	#4	3	8'-3"	28
N8	5	#4	3	7'-10"	26
N9	5	#4	3	7'-6"	25
N10	5	#4	3	7'-1"	24
N11	5	#4	3	6'-9"	23
N12	5	#4	3	6'-4"	21
N13	5	#4	3	6'-0"	20
N14	5	#4	3	5'-7"	19
N15	5	#4	3	5'-3"	18
N16	5	#4	3	4'-10"	16
N17	5	#4	3	4'-5"	15
N18	5	#4	3	4'-1"	14
S1	3	#6	STR	6'-0"	27
T2	9	#5	STR	23'-6"	221
V6	5	#4	STR	6'-9"	23
V7	5	#4	STR	6'-1"	20
V8	5	#4	STR	5'-8"	19
V9	5	#4	STR	5'-4"	18
V10	5	#4	STR	4'-11"	16
V11	5	#4	STR	4'-7"	15
V12	5	#4	STR	4'-2"	14
V13	5	#4	STR	3'-10"	13
V14	5	#4	STR	3'-5"	11
V15	5	#4	STR	3'-1"	10
V16	5	#4	STR	2'-8"	9
V17	5	#4	STR	2'-4"	8
V18	5	#4	STR	1'-11"	6
Z6	13	#4	2	3'-9"	33
Z7	13	#4	2	3'-7"	31
Z8	13	#4	2	3'-4"	29
Z9	13	#4	2	3'-1"	27
Z10	13	#4	2	2'-11"	25

REINFORCING STEEL FOR 1 WING 1245 LBS
 CLASS A CONCRETE FOR 1 WING 20.5 CY

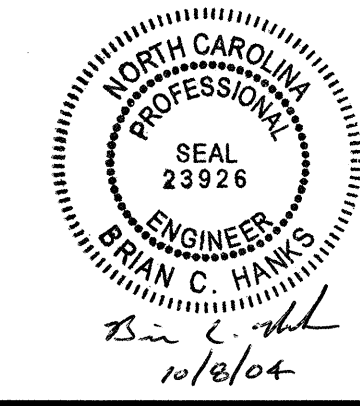
PROJECT NO. R-2237B
 CALDWELL COUNTY
 STATION: 78+31.75 -L-

SHEET 10 OF 10

STATE OF NORTH CAROLINA
 DEPARTMENT OF TRANSPORTATION
 RALEIGH

**SPECIAL WING
 RIGHT EXTENSION
 RIGHT SIDE
 FACING DOWN STREAM**

REVISIONS						SHEET NO.	
NO.	BY:	DATE:	NO.	BY:	DATE:	C-10	
1			3			TOTAL SHEETS 19	
2			4				



DRAWN BY: J.L. WALTON DATE: 5/26/04
 CHECKED BY: K.K. PUROHIT DATE: 7/30/04

07-OCT-2004 16:09
 W:\squadg\TURNED_IN\R2237B\FINAL_PLANS\R-2237B_sd.CU_01.dgn
 wparker

STR #1